

JET

JWL-1640EVS WOOD LATHE

Original:

GB
Operating Instructions

Translations:

D
Gebrauchsanleitung

F
Mode d'emploi



JPW (Tool) AG

Tämplerlistrasse 5

CH-8117 Fällanden

Switzerland

Phone +41 44 806 47 48

Fax +41 44 806 47 58



www.jettools.com

M-719500M

2016 -09

CE-Conformity Declaration
CE-Konformitätserklärung
Déclaration de conformité CE

Product / Produkt / Produit:

Wood lathe
Drehselmaschine
Tour à bois

JWL-1640EVS
719500M

Brand / Marke / Marque:

JET

Manufacturer / Hersteller / Fabricant:

JPW (Tool) AG, Tämperlistrasse 5, CH-8117 Fällanden, Switzerland

We hereby declare that this product complies with the regulations
Wir erklären hiermit, dass dieses Produkt der folgenden Richtlinie entspricht
Par la présente, nous déclarons que ce produit correspond aux directives suivantes

2006/42/EC

Machinery Directive / Maschinenrichtlinie / Directive Machines

2014/30/EU

electromagnetic compatibility / elektromagnetische Verträglichkeit / compatibilité électromagnétique

designed in consideration of the standards
und entsprechend folgender zusätzlicher Normen entwickelt wurde
et été développé dans le respect des normes complémentaires suivantes

EN ISO 12100:2010

EN 60204-1:2006+A1:2009

EN 61000-6-4:2007+A1:2011

EN 61800-3:2004+A1:2012

EN 55011:2009+A1:2010

Responsible for the Documentation / Dokumentations-Verantwortung / Responsabilité de Documentation:

Hansjörg Meier

Head Product-Mgmt / Leiter Produkt-Mgmt./ Resp. de Gestions Produits
JPW (Tool) AG



2016-09-10 Alain Schmid, General Manager

JPW (Tool) AG, Tämperlistrasse 5, CH-8117 Fällanden,
Schweiz / Suisse / Switzerland

GB - ENGLISH

Operating Instructions

Dear Customer,

Many thanks for the confidence you have shown in us with the purchase of your new JET-machine. This manual has been prepared for the owner and operators of a JET **JWL-1640EVS wood lathe** to promote safety during installation, operation and maintenance procedures. Please read and understand the information contained in these operating instructions and the accompanying documents. To obtain maximum life and efficiency from your machine, and to use the machine safely, read this manual thoroughly and follow instructions carefully.

...Table of Contents

1. Declaration of conformity

2. Warranty

3. Safety

Authorized use
General safety notes
Remaining hazards

4. Machine specifications

Machine description
Technical data
Noise emission
Contents of delivery

5. Transport and start up

Transport and installation
Assembly
Mains connection
Dust collection
Starting operation

6. Machine operation

Correct operating position
Tool selection
Speed selection
Turning between centres
Bowl turning
Sanding and Finishing

7. Setup and adjustments

Changing spindle speeds
Headstock spindle lock
Headstock rotation
Headstock spindle index
Installing work holding
Adjusting tool rest
Adjusting tailstock

8. Maintenance and inspection

Adjusting bed clamping
Changing belt and bearings

9. Trouble shooting

10. Environmental protection

11. Available accessories

1. Declaration of conformity

On our own responsibility we hereby declare that this product complies with the regulations* listed on page 2. Designed in consideration with the standards**.

2. Warranty

The Seller guarantees that the supplied product is free from material defects and manufacturing faults. This warranty does not cover any defects which are caused, either directly or indirectly, by incorrect use, carelessness, accidental damage, repair, inadequate maintenance or cleaning and normal wear and tear.

Guarantee and/or warranty claims must be made within twelve months from the date of purchase (date of invoice). Any further claims shall be excluded.

This warranty includes all guarantee obligations of the Seller and replaces all previous declarations and agreements concerning warranties.

The warranty period is valid for eight hours of daily use. If this is exceeded, the warranty period shall be reduced in proportion to the excess use, but to no less than three months.

Returning rejected goods requires the prior express consent of the Seller and is at the Buyer's risk and expense.

Further warranty details can be found in the General Terms and Conditions (GTC). The GTC can be viewed at www.jettools.com or can be sent by post upon request.

The Seller reserves the right to make changes to the product and accessories at any time.

3. Safety

3.1 Authorized use

This wood lathe is designed for turning wood only. Machining of other materials is not permitted and may be carried out in specific cases only after consulting with the manufacturer.

The workpiece must allow to safely be loaded and supported.

The proper use also includes compliance with the operating and maintenance instructions given in this manual.

The machine must be operated only by persons familiar with its operation and maintenance and who are familiar with its hazards.

The required minimum age must be observed.

The machine must only be used in a technically perfect condition.

When working on the machine, all safety mechanisms and covers must be mounted.

In addition to the safety requirements contained in these operating instructions and your country's applicable regulations, you should observe the generally recognized technical rules concerning the operation of woodworking machines.

Any other use exceeds authorization.
In the event of unauthorized use of the machine, the manufacturer renounces all liability and the responsibility is transferred exclusively to the operator

3.2 General safety notes

Woodworking machines can be dangerous if not used properly. Therefore the appropriate general technical rules as well as the following notes must be observed.



Read and understand the entire instruction manual before attempting assembly or operation.



Keep this operating instruction close by the machine, protected from dirt and humidity, and pass it over to the new owner if you part with the tool.

No changes to the machine may be made.

Daily inspect the function and existence of the safety appliances before you start the machine.

Do not attempt operation in this case, protect the machine by unplugging the mains cable.

Before operating the machine, remove tie, rings, watches, other jewellery, and roll up sleeves above the elbows. Remove all loose clothing and confine long hair.

Wear safety shoes; never wear leisure shoes or sandals.

Always wear the approved working outfit:

- safety goggles
- ear protection
- dust protection



Do not wear gloves while operating this machine.



Install the machine so that there is sufficient space for safe operation and workpiece handling.

Keep work area well lighted.

The machine is designed to operate in closed rooms and must be placed stable on firm and levelled table surface.

Make sure that the power cord does not impede work and cause people to trip.

Keep the floor around the machine clean and free of scrap material, oil and grease.

Stay alert, give your work undivided attention.

Use common sense. Do not operate the machine when you are tired.

Do not operate the machine under the influence of drugs, alcohol or any medication. Be aware that medication can change your behaviour.



Keep an ergonomic body position.

Maintain a balanced stance at all times.

Never reach into the machine while it is operating or running down.



Keep children and visitors a safe distance from the work area.

Never leave a running machine unattended. Before you leave the workplace switch off the machine.

Do not operate the electric tool near inflammable liquids or gases.

Observe the fire fighting and fire alert options, for example the fire extinguisher operation and place.

Do not use the machine in a damp environment and do not expose it to rain.

Wood dust is explosive and can also represent a risk to health.

Dust from some tropical woods in particular, and from hardwoods like beach and oak, is classified as a carcinogenic substance.

Always use a suitable dust collection device

Before machining, remove any nails and other foreign bodies from the workpiece.

Make sure to guide and hold the chisel with both hands safe and tight during machining.

Work only with well sharpened tools.

Machine only stock which is chucked securely on the machine, always check before switching the machine on.

If reversing spindle rotation, make sure face plate, chuck or other work holding is secured with the set screws to the spindle. To avoid threading loose.

Provide workpieces with centre holes before clamping between centres.

Work large and unbalanced workpieces at low spindle speed only.

When sanding, remove the tool rest from the machine.

Workpieces with cracks may not be used.

Use homogenous workpieces only.
Check the workpiece carefully for splits, knots or other obstructions which may cause a safety risk while turning.

Remove the chuck key or dowel pins before turning the machine on.

Always close the belt cover.

Specifications regarding the maximum or minimum size of the workpiece must be observed.

Test each set-up by revolving the work by hand to insure it clears the tool rest and bed. Check setup at the lowest speed before you increase to the operating speed.

Do not remove chips and workpiece parts until the machine is at a standstill.

Never stop work pieces with the hand during run out.

Do not attempt to engage the spindle lock until the spindle has stopped.

Never take measurements on a rotating workpiece.

Do not stand on the machine.

Do not obstruct the air flow on heat sinks of AC-drive (allow natural cooling).

Connection and repair work on the electrical installation may be carried out by a qualified electrician only.



(Warning: Wait five minutes for DC-bus capacitors discharge before accessing the AC drive unit.)

Have a damaged or worn power cord replaced immediately.

Make all machine adjustments or maintenance with the machine unplugged from the power source.



3.3 Remaining hazards

When using the machine according to regulations some remaining hazards may still exist.

The rotating workpiece can cause injury.

Workpieces that are inhomogeneous or weak can explode when being processed due to centrifugal force.

Only process selected woods without defects.

Unbalanced workpieces can be hazardous.

Injuries can occur when feeding tooling, if tool supports are not correctly adjusted or if turning tools are blunt.

Risk of kickback. The tooling is caught by the rotating workpiece and thrown back to the operator.

Thrown workpieces and workpiece parts can lead to injury.

Dust and noise can be health hazards. Be sure to wear personal protection gear such as safety goggles and dust mask. Use a suitable dust collection system.

The use of incorrect mains supply or a damaged power cord can lead to injuries caused by electricity.

4. Machine specifications

4.1 Machine description

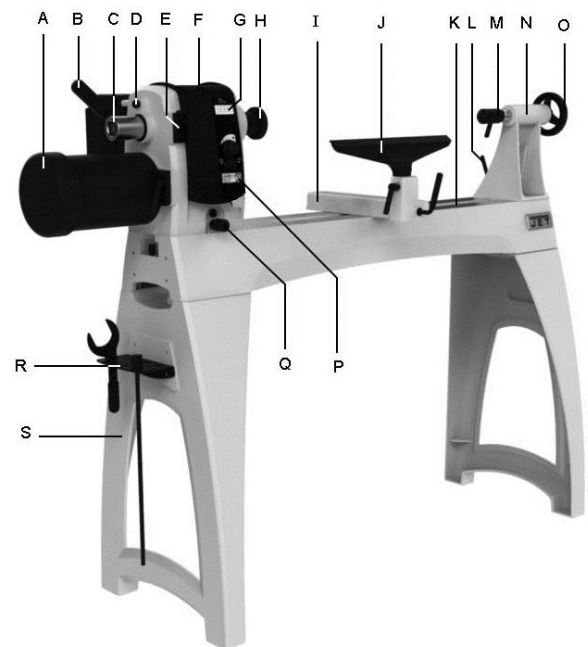


Fig 1

- A Motor
- B Headstock lock handle
- C Headstock hand wheel
- D Index pin
- E Spindle lock
- F Headstock
- G Digital readout
- H Faceplate
- I Tool rest base
- J 350mm tool rest
- K Bed
- L Tailstock lock handle
- M Live centre
- N Tailstock
- O Tailstock hand wheel
- P Front-mounted controls
- Q Headstock swivel index

- R Tool caddy with tools
- S Casting stands

4.2 Technical data

Swing over bed	418mm
Centre distance	990 & 940mm
Number of mechanical speeds	2
Spindle speed range 1	40-1200 rpm
Spindle speed range 2	100-3200 rpm
Spindle nose	M33x3.5 DIN 800
Headstock spindle taper	MT 2
Headstock spindle bore	9.5 mm
Spindle index lock	36 x 10°
Headstock-Rotation	0°, 30°, 60°, 90°, 120°, 180°, 270°
Tailstock spindle taper	MT 2
Tailstock bore	9mm
Tailstock ram travel	108mm
Centre above floor	1130mm
Overall (LxWxH)	1854 x 508 x 1334 mm
Net weight	170 kg
Mains	1~230V, PE, 50Hz
Output power	1.1 kW (1.5 HP) S1
Reference current	8 A
Extension cord (H07RN-F):	3x1.5mm ²
Installation fuse protection	16A
Protection class	I

4.3 Noise emission

Acoustic pressure level (according to EN ISO 11202):	
Idling	LpA 72.5 dB(A)
In operation	LpA 78.4 dB(A)

The specified values are emission levels and are not necessarily to be seen as safe operating levels. As workplace conditions vary, this information is intended to allow the user to make a better estimation of the hazards and risks involved only.

4.4 Content of delivery

- Lathe bed with headstock, tool support and tailstock – A
- 350mm Tool rest – B
- Legs – C
- Spur centre – D
- Live centre – E
- Live centre with cone – F
- Live centre pin – G
- Knockout rod – H
- 75mm Faceplate – J (installed on lathe)
- Tool rest extension – K
- Faceplate wrench – L
- Levellers – M
- Tool shelf – N
- 8x Socket hd. cap screws, 5/16"x1-1/4" – HP1*

- 8x Lock washers, 5/16" – HP2*
- 8x Flat washers, 5/16" – HP3*
- 2x Socket hd. cap screws, 3/8"x1-1/4" – HP4
- 2x Lock washers, 3/8" – HP5

User manual

Parts list

* included in hardware package JWL1440-HP1

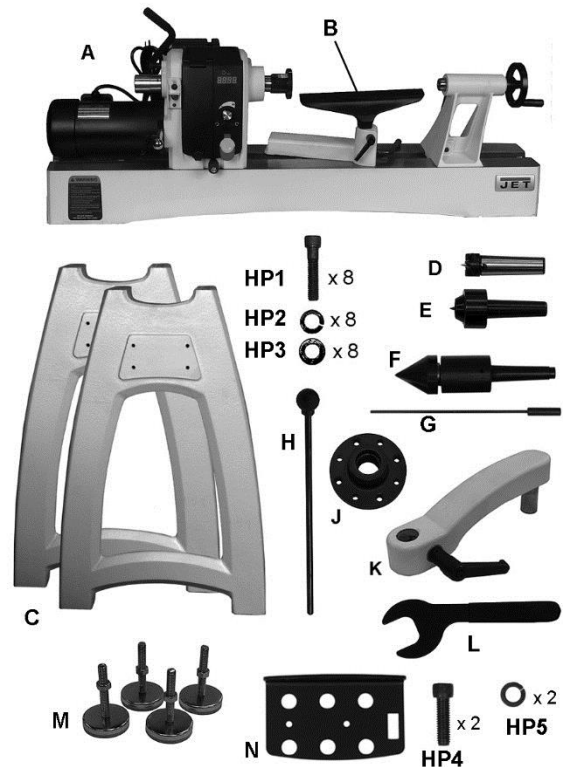


Fig 2

5. Transport and start up

5.1 Transport and installation

The machine is designed to operate in closed rooms and must be placed stable on firm and levelled ground.

The machine can be bolted to the floor if required.

For packing reasons the machine is not completely assembled.

5.2 Assembly

If you notice transport damage while unpacking, notify your supplier immediately. Do not operate the machine!

Dispose of the packing in an environmentally friendly manner.

Clean all rust protected surfaces with a mild solvent.

Attach the leg stand :

At this point the headstock, tailstock and tool rest should be removed.

Unscrew the stud (N, Fig 3) from each end of bed.



Fig 3

Remove headstock, tailstock and tool rest support from bed.

The machine bed is heavy! With the help of a second person. Carefully turn bed upside down. Place a mat or cardboard beneath it to prevent scratching the bed ways.

Install legs with eight screws, lock washers and flat washers. Tighten screws firmly with 6mm hex key. (see Fig 4).

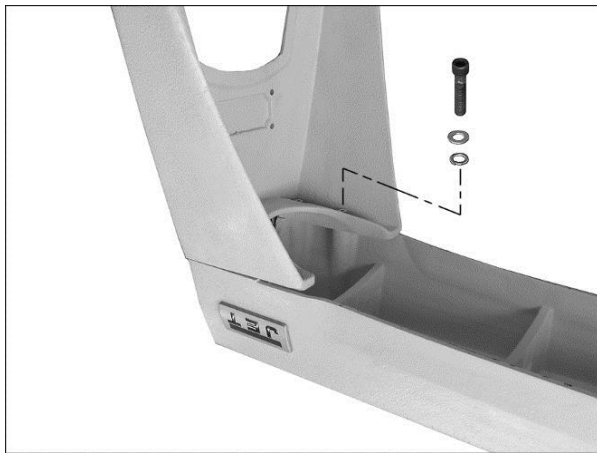


Fig 4

Install the four levellers. These can be adjusted later. (see Fig 5)

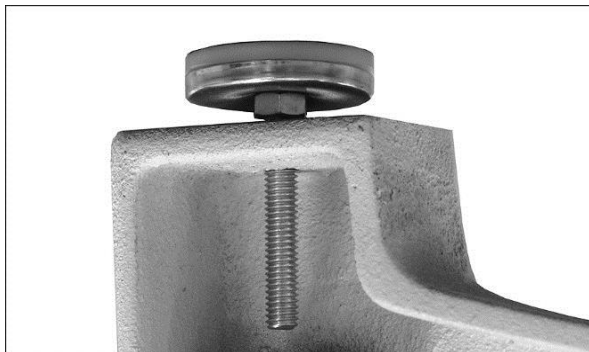


Fig 5

With the help of a second person, raise bed and leg assembly right-side up.

Rotate the levellers as needed to establish level for the lathe. Tighten the hex nut on each leveller against the leg casting.

Now headstock, tool rest and tailstock can be installed again (Fig 6).



Fig 6

Install both studs (N, Fig 3).

Attach the tool shelf :

The tool shelf (N, Fig2) can be mounted on either end of lathe with screws and washers (HP4, HP5).

Stand shelf :

You can make an extra shelf that rests between the legs if you wish (see Fig 7).

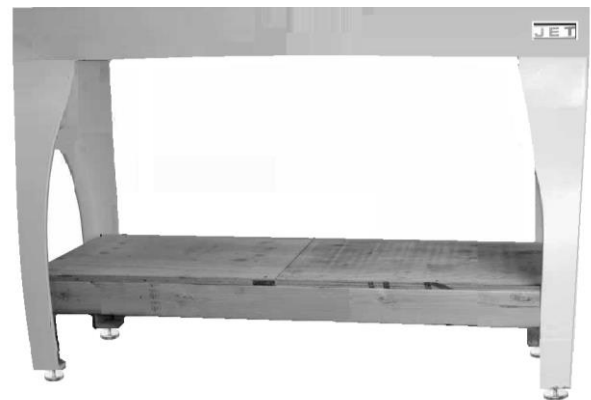


Fig 7

Installing bed extension : (JET Option # 719401)

The bed extension can be mounted to the upper or lower holes of the lathe.

Mounting the extension to the lower holes allows use of the tool support during outboard turning (Fig 8).



Fig 8

Mounting in upper holes increases the spindle length capacity of the lathe.

Have an assistant hold bed extension flush to end of lathe bed, and insert four screws with washers (P, Fig 9).

Snug screws just enough to hold bed extension to lathe bed.

Unscrew stop bolt (N) from lathe bed and insert it into hole at end of bed extension.

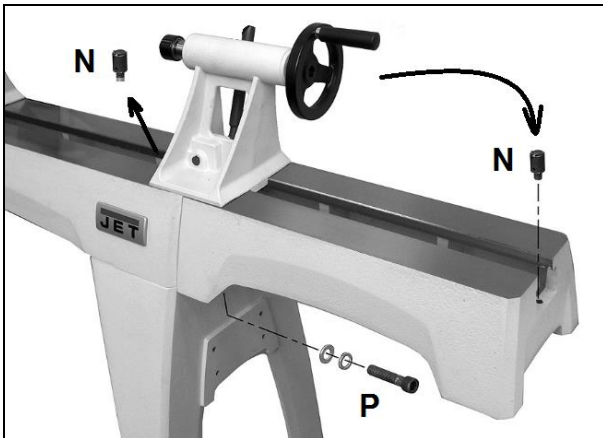


Fig 9

Top surfaces and inside ways must be flush to allow smooth movement of tailstock.

Slide tailstock over joint where beds meet, so that clamping nut is centred over joint. Lock tailstock clamping handle; this will align the beds.

Securely tighten screws (P) in bed extension.

Installing cage guard (JET Option # 719002)

Loosen set screw (B, Fig 10) and remove outer collar.

Attach guard to the bracket by inserting the rod and lifting up on the plunger (A).

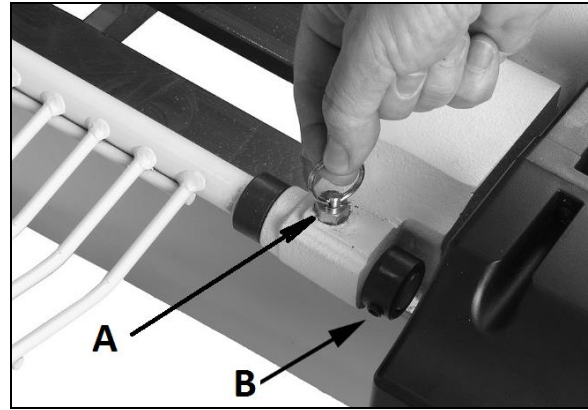


Fig 10

Place the collar against the bracket and tighten set screw (B).

There are two detents that will hold the guard in place. One is for turning and the other is for when you need the guard up and out of the way (Fig 11).

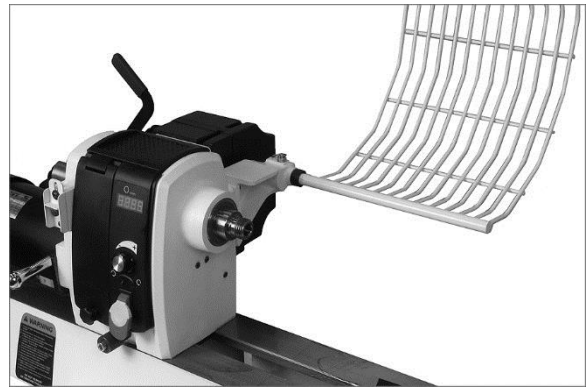


Fig 11

5.3 Mains connection

Mains connection and any extension cords used must comply with applicable regulations.

The mains voltage must comply with the information on the machine licence plate.

The mains connection must have a 16 A surge-proof fuse.

Only use power cords marked H07RN-F

Connections and repairs to the electrical equipment may only be carried out by qualified electricians.

5.4 Dust collection

Use a suitable dust collection and filtration system to avoid a high dust concentrations in the air.

5.5 Starting operation

ON/ OFF switch :

You can start the machine with the green ON-button (A, Fig 12). The lathe will begin turning and driving the headstock spindle.

The lathe will reach full speed in about 5 seconds.

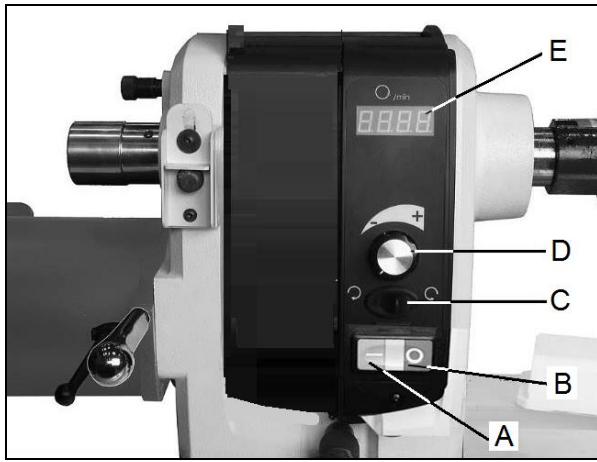


Fig 12

The machine will stop when you push the red OFF-button (B). Wait until workpiece comes to a complete stop.

Speed control knob :

Rotate the speed control knob (D) clockwise to increase, counter clockwise to decrease. Speed is displayed as RPM (revolutions per minute) on digital readout (E).

Forward / Reverse :

Use the switch (C) to reverse the spindle direction.

Caution : For reversing spindle rotation, always make sure face plate, chuck or other is secured with the set screws. To avoid threading loose.

Always set the speed control knob to its lowest setting before starting lathe. Never start a workpiece at maximum speed.

The AC Inverter does not require any programming. It is pre-programmed from the factory. Do not attempt any changes.

2 Belt speeds :

The speeds of the lathe are controlled by the variable speed select knob (D) as well as the position of the belt on the pulleys (Fig 13).

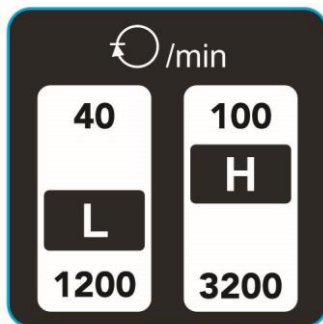


Fig 13

“Low” speed range (40~1200 rpm) for maximum torque.

“High” speed range (100 ~ 3200 rpm) for maximum speed.

6. Machine operation

6.1 Correct operating position

Always support the tool on the tool rest and guide with the palm of your hand keeping your fingers closed. (see Fig 14 and 15)

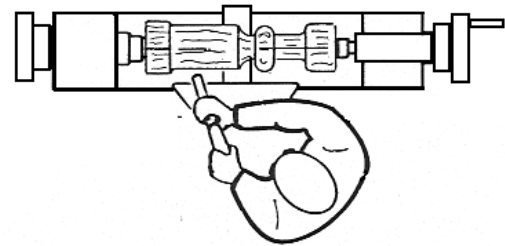


Fig 14

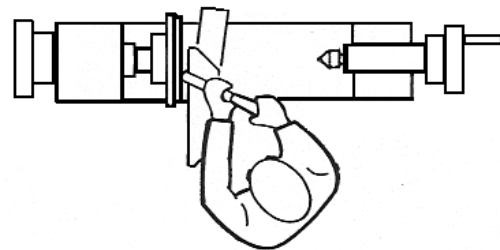


Fig 15

6.2 Tool selection

Successful wood turning does not result from high speeds, but rather, from the correct use of turning tools.

A perfect and sharp wood turner tool is a precondition for professional wood-turning.

Major tools :

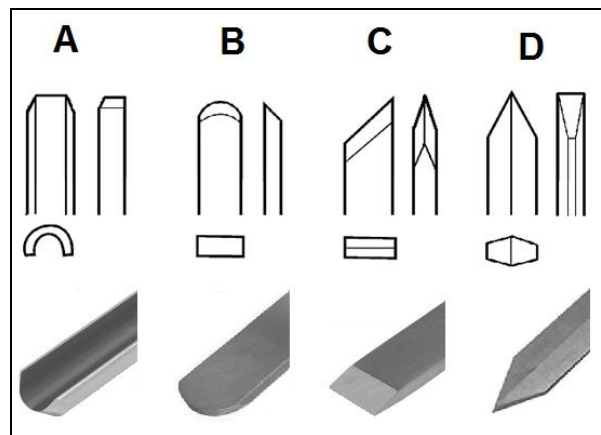


Fig 16

Gouge (A, Fig 16), used for rapidly cut raw wood into round stock, for turning bowls and plates, for turning beds, coves and other detail (Fig 17).

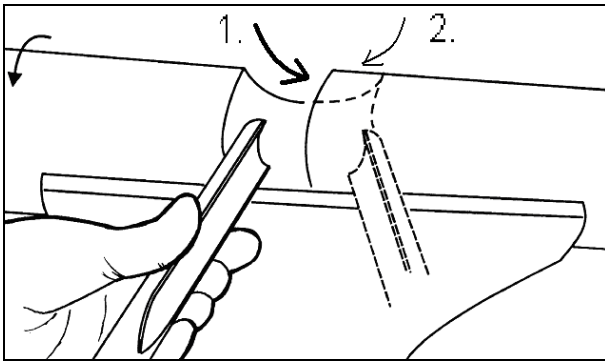


Fig 17

Scraper (B, Fig 16), used for diameter scraping and to reduce ridges.

Skew Chisel (C, Fig 16), used to make vees, beads, etc. (Fig 18). The bevel of skew is parallel to the cut.

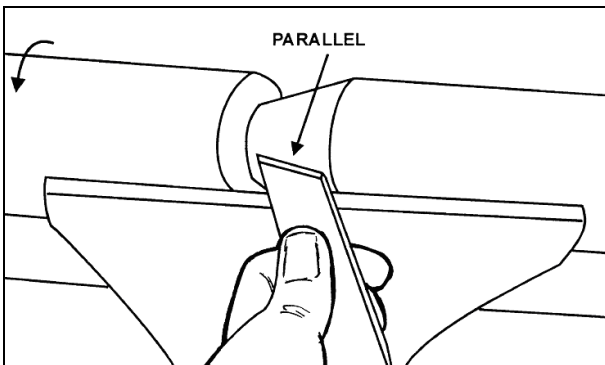


Fig 18

Parting tool (D, Fig 16), used to cut directly into the material, or to make a cut off. Also used for scraping and to set diameters.

6.3 Speed selection

Use low speeds for roughing and for large diameter work. If vibrations occur, stop the machine and correct the cause. See speed recommendations.

Speed recommendations

Workpiece Diameter mm	Roughing RPM	General Cutting RPM	Finishing RPM
< 50	1500	3200	3200
50-100	700	1600	2500
100-150	500	1100	1600
150-200	370	800	1200
200-250	300	650	1000
250-300	250	500	800
300-350	220	450	700
350-400	180	400	600

6.4 Turning between centres

With a ruler locate and mark the centre on each end. Put a dimple in each end of the shock. Extremely hard woods may require kerfs cut into the spur drive end of stock (see Fig 19).

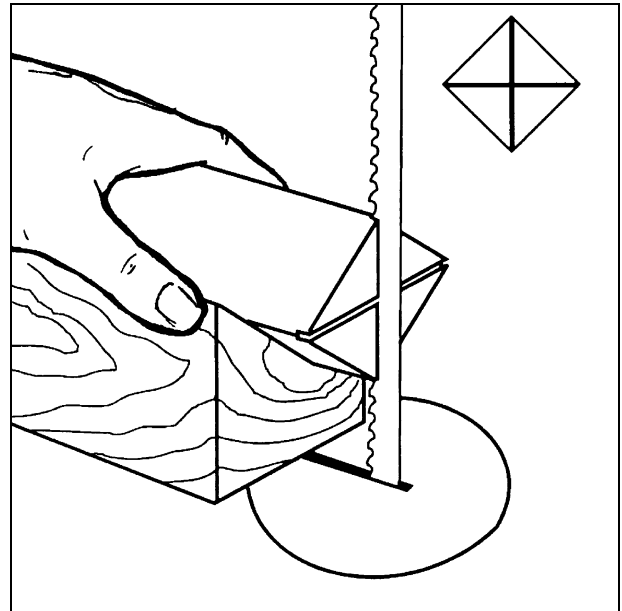


Fig 19

The spur drive centre locks into the spindle taper and can be removed with the knockout rod (Fig 20)

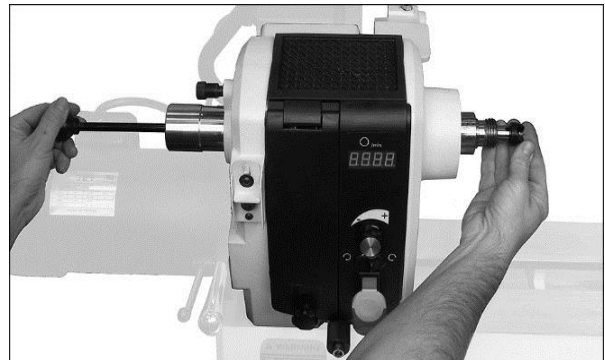


Fig 20

The live centre locks into the tail stock taper and can be removed by rotating the handwheel counter clockwise (Fig 21)

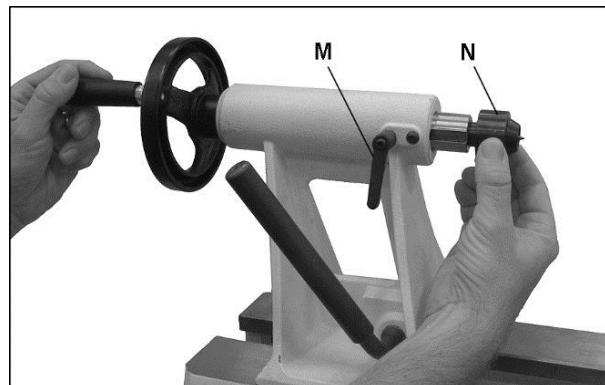


Fig 21

To screw off the cone (R, Fig 22) the life centre must be locked against rotation with the supplied pin (S).

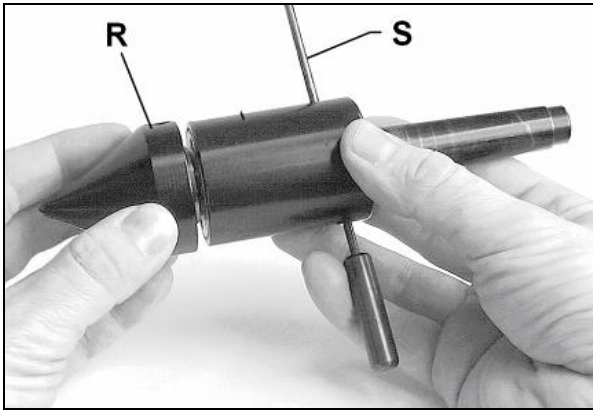


Fig 22

The centring pin can be knocked out to allow deep hole drilling operations.

Mount the centred workpiece between the spur drive centre and the tailstock mounted live centre (Fig 23)



Fig 23

Turn the tailstock hand wheel until the live centre well penetrates the workpiece. Reverse the hand wheel by one quarter turn and lock the tailstock spindle (M, Fig 21)

Turn the workpiece by hand to see if it rests securely between centres and can be rotated freely.

Position the tool rest as close to the workpiece as possible. Tighten locking handles.

For turning between centres the tool rest is set approximately 3mm higher than centre line (Fig 24, 25 and 26).

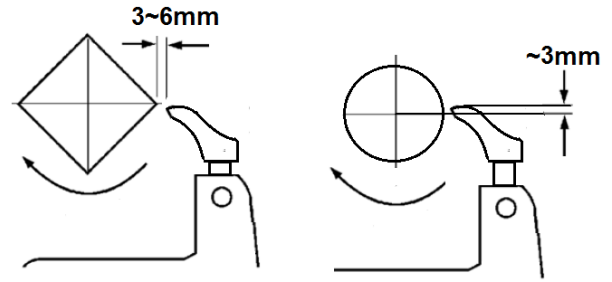


Fig 24

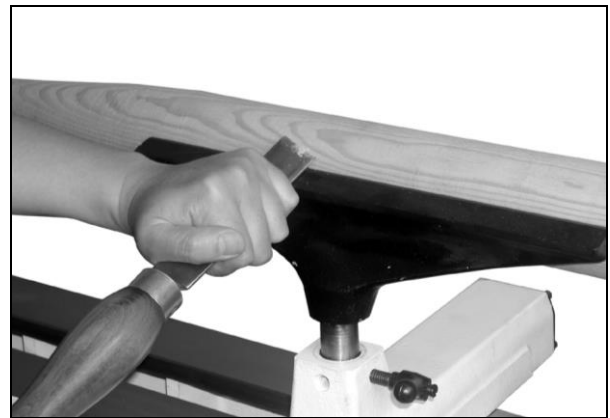


Fig 25



Fig 26

6.5 Bowl turning

Turn outside of bowl between centres.

Turn a short tenon the size of the hole in the faceplate (T, Fig 27). This will allow centring the workpiece.

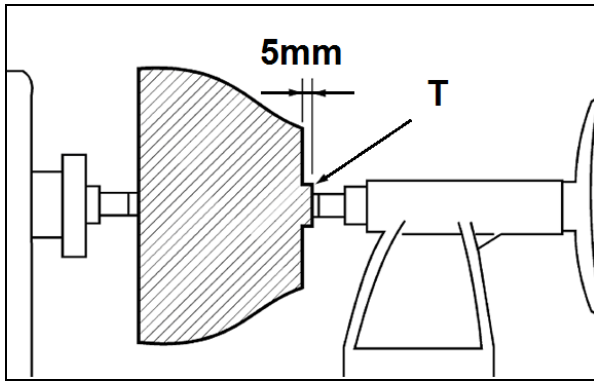


Fig 27

Mount the workpiece (A, Fig 28) directly to the face plate using 4 wood screws (C) from the back. Be careful to use screws short enough not to interfere with the cutting process but long enough to hold the workpiece securely to the face plate.

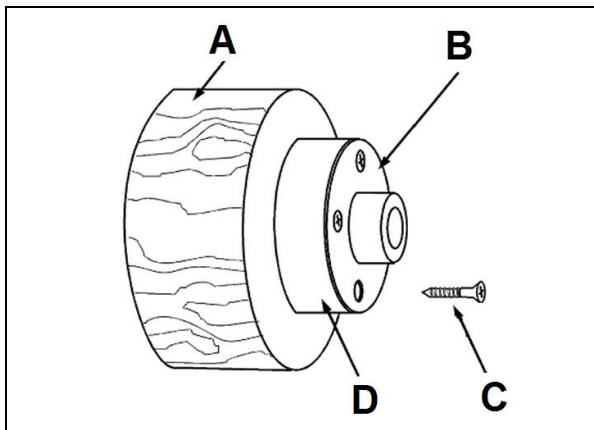


Fig 28

If screw mounting is not allowed at all, the work may be glued to a backing block (D) and the backing block screwed to the face plate. A piece of paper in the glue joint will prevent damaging the wood when separated later.

Mount the face plate with the workpiece already attached onto the spindle nose thread and hand tighten.

If reversing spindle rotation, make sure face plate, chuck or other work holding is secured with the set screws, to avoid threading loose.

Move tailstock away, remove centre from tailstock to prevent injury.

Turn the workpiece by hand to see if it rests securely and can be rotated freely.

Position the tool rest as close to the workpiece as possible. Tighten locking handles.

For face plate turning the tool rest is set slightly lower than centre line.

Caution:

Cut with your chisel on the left side of the turning centre only.

Use left hand to control cutting edge of gouge, while right hand swings tool handle around toward your body (Fig 29).

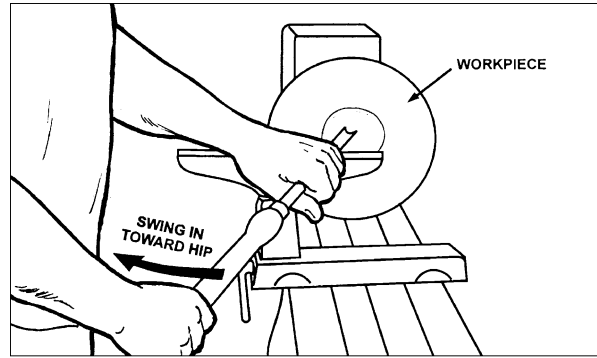


Fig 29

Try to make one, very light continuous movement from the rim to the bottom of the bowl to ensure a clean, sweeping curve through the workpiece.

Move tool support to the exterior to re-define bottom of bowl.

6.6 Sanding and Finishing:

Remove the tool rest and begin with a fine grit sandpaper (120 grit) and progress through each grit, using only light pressure.

Use power sanding techniques to avoid concentric sanding marks.

Finish sanding with 220 grit.

Apply first coat of finish. Allow to dry before sanding again with 320 or 400 grit sandpaper.

Turn lathe back on and make a separation cut through the base. Stop at about dia. 80mm and use a fine tooth saw to separate the bowl from the waste.

Apply additional finish coats and allow drying before buffing.

7. Setup and adjustments

General note:

Setup and adjustment work may only be carried out after the machine is protected against accidental starting by pulling the mains plug.

7.1 Changing spindle speeds

Disconnect lathe from power source !

Loosen the locking screw and open the belt cover.

Loosen pivot lock handle (A, Fig 30).

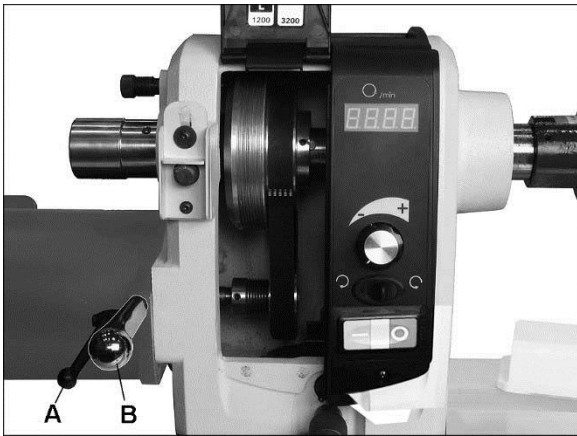


Fig 30

Lift up on the tensioning handle (B) to remove tension from the Poly V-belt.

You can now position the belt in the desired speed range.

Be sure that Poly-V belt seat properly in corresponding grooves of pulleys. (Fig 31)

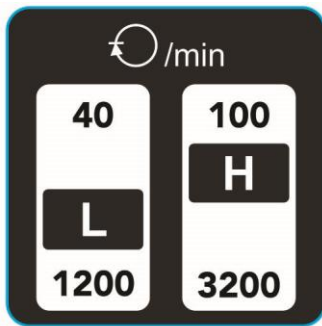


Fig 31

Note:

The "High" speed range (100-3200) provides maximum speed, where as the "Low" speed range (40-1200) will provide maximum torque.

Lower the tensioning handle so that the weight of the motor provides the needed belt tension and tighten the locking handle.

Do not over-tension belt, a light pressure is adequate to prevent belt slippage.

Close and lock the belt cover.

ON / OFF switch :

You can start the machine with the green ON-button (A, Fig 32). The lathe will begin turning and driving the headstock spindle.

The lathe will reach full speed in about 5 seconds.

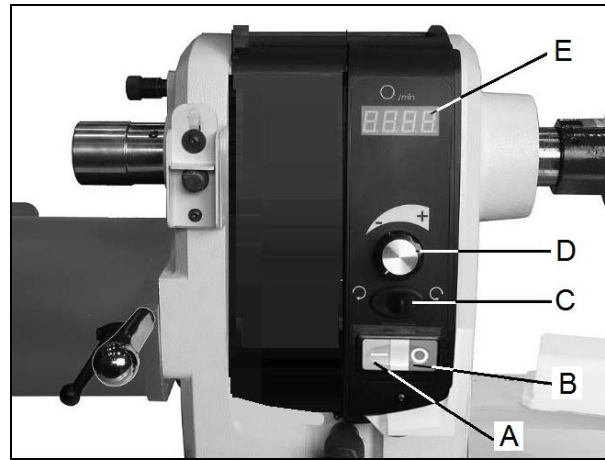


Fig 32

The machine will stop when you push the red OFF button (B).

Speed control knob :

Rotate the speed control knob (D) clockwise to increase, counter clockwise to decrease.

Speed is displayed as RPM (revolutions per minute) on digital readout (E).

Forward / Reverse switch :

Use the switch (C) to reverse the spindle direction.

Caution :

For reversing spindle rotation, always make sure face plate, chuck or other is secured with the set screws. To avoid threading loose.

Always set the speed control knob to its lowest setting before starting lathe. Never start a workpiece at maximum speed.

The AC Inverter does not require any programming. It is pre-programmed from the factory. Do not attempt any changes.

7.2 Headstock spindle lock

Push spindle lock pin (P, Figure 34) and rotate spindle slightly until pin engages. Slide plate downward to hold pin in locking position.

Release spindle lock by pushing plate upward.

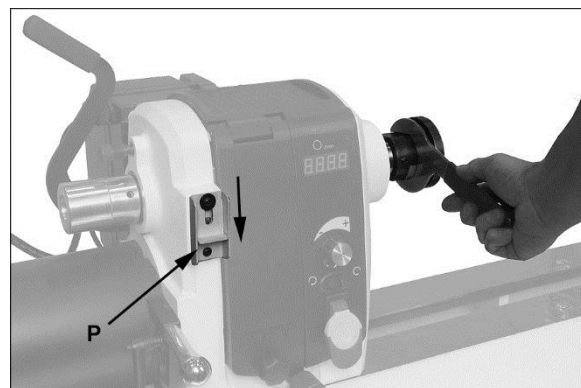


Fig 34

Caution:

Never press the spindle lock while the spindle is turning!

7.3 Headstock Rotation

IMPORTANT: Remove anti-rotation block (Fig 35) with 4mm hex key before attempting to rotate headstock.

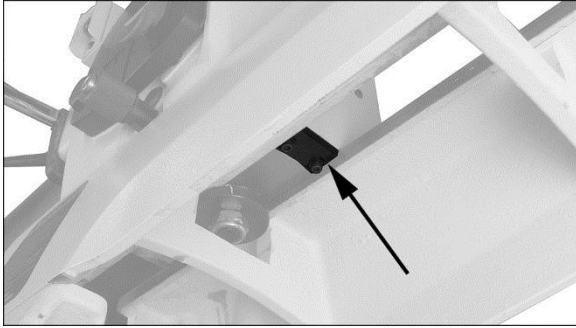


Figure 35

Unscrew the index plunger (B, Fig 36) counter clockwise. Loosen the headstock lock handle (A) and pull the index plunger (B) to turn the headstock.

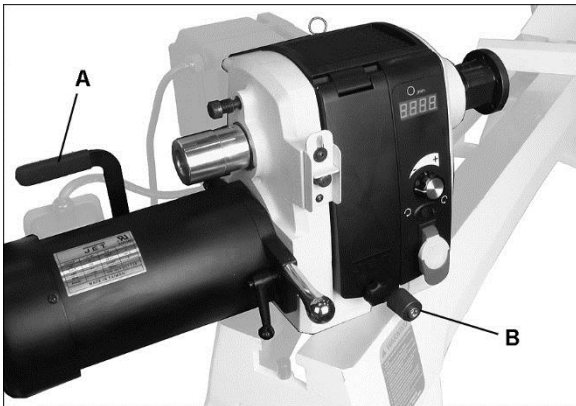


Fig 36

For larger workpieces the head stock will have to be turned 90°, the extension added to the tool rest.

Caution: always operate lathe with the headstock locked in position.

The headstock can be positioned anywhere along the machine bed.

7.4 Headstock spindle index

The index feature allows you to cut evenly spaced features in a workpiece while keeping the Lathe spindle locked.

The lathe provides 36 index positions at 10° increments. Thread index pin (L, Fig 37) into the headstock. Make sure that it locates in one of the pulley holes.

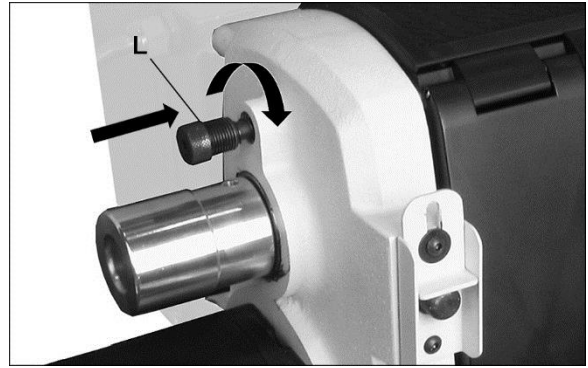


Fig 37

Caution:

Release index pin before turning on the lathe. Never press the index pin while the spindle is turning.

Do not use index pin to lock spindle, which will cause unnecessary wear to the pin. Use spindle lock for this purpose.

7.5 Installing work holding

The faceplate is used for turning bowls. There are a number of holes for mounting the workpiece. Thread the faceplate onto the spindle in a clockwise direction, and tighten two setscrews (E, Fig 38).

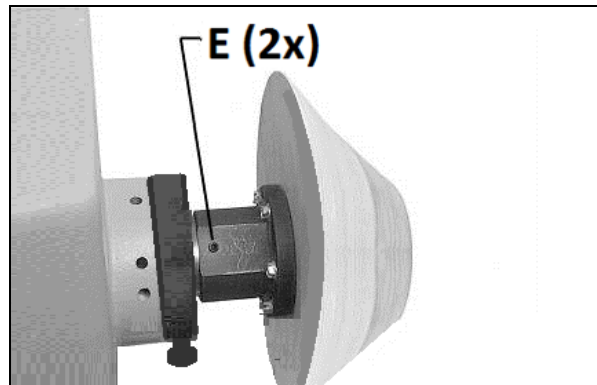


Fig 38

Remove the faceplate by loosening two set screws. Push in the spindle lock and use the provided wrench on faceplate flats.

7.6 Adjusting tool rest

A 350mm tool rest is provided with your lathe. It is designed to allow adjustment for height and position.

Loosen locking handle on tool rest base (G, Fig 39) to slide base forward or back, and to angle it to the bed. Tighten locking handle firmly before operating lathe.

Loosen handle (H) to raise or lower tool rest and angle it to the work. Tighten handle before operating lathe.

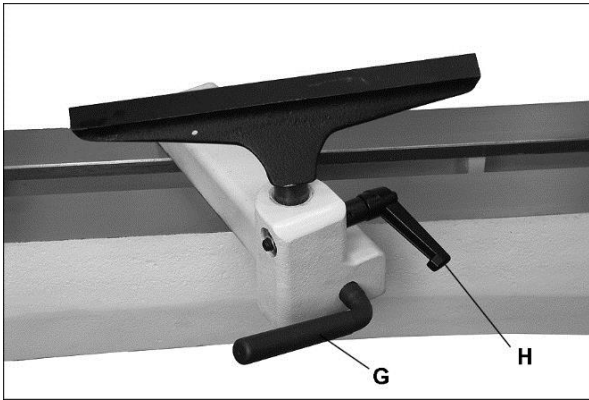


Fig 39

Tool rest extension:

The extension (J, Fig 40) mounts to the tool rest base and offers greater reach for the tool rest when turning off the bed using the headstock at an angle, as shown.

Make sure the clamp bushings (K) are pulled apart sufficiently to accept the post of the extension.

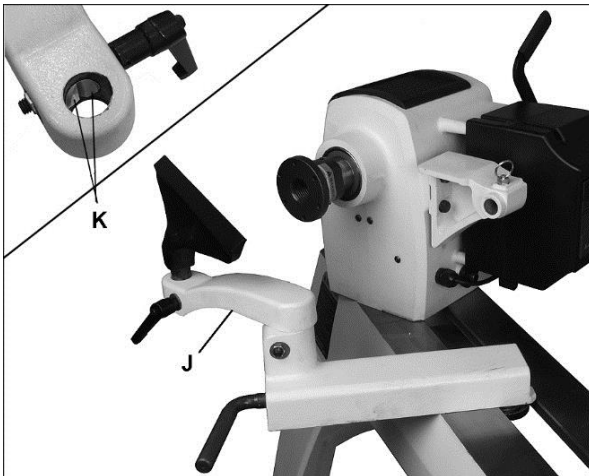


Fig 40

7.7 Adjusting tailstock

Turn the hand wheel (R, Fig 41) clockwise to move tailstock spindle forward. Lock tailstock spindle with the indexable knob (Q).

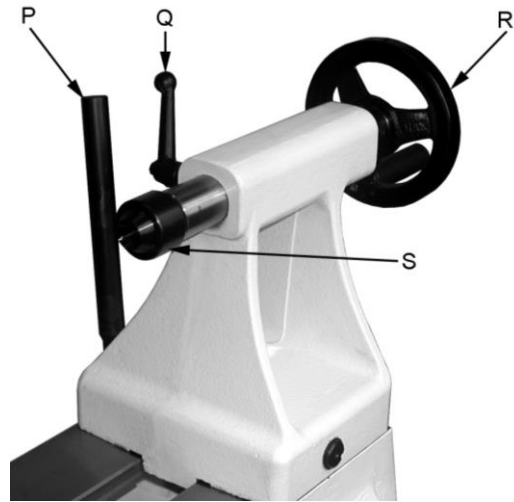


Fig 41

The handle (P) locks the tailstock in position on the bed.

The live centre (S) can be ejected by turning the hand wheel counter-clockwise.

The live centre pin can be removed to allow deep hole drilling operations.

8. Maintenance and inspection

General notes:

Maintenance, cleaning and repair work may only be carried out after the machine is protected against accidental starting by pulling the mains plug.

Clean the machine regularly.

Inspect the proper function of the dust collection daily.

Defective safety devices must be replaced immediately.

Repair and maintenance work on the electrical system may only be carried out by a qualified electrician.

8.1 Adjusting bed clamping

If adjustment is needed, remove the stud (N, Fig 3). Slide the headstock, tailstock or tool rest to the edge of the bed and slightly turn the hex nut (F, Fig 42). Test the handle to make sure it securely locks.

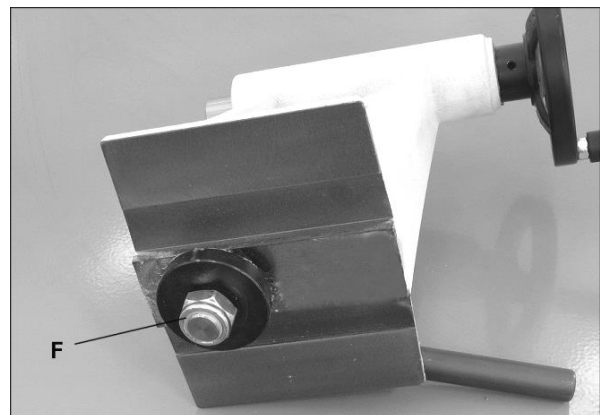


Fig 42

8.2 Changing belt and bearings

Changing belt and bearings can be a difficult task. By chance remove headstock and take into a repair station for servicing.

Disconnect the machine from the power source.

Open the door and remove the belt from the lower pulley.

Loosen two set screws (C Fig 43) and unscrew the hand wheel.

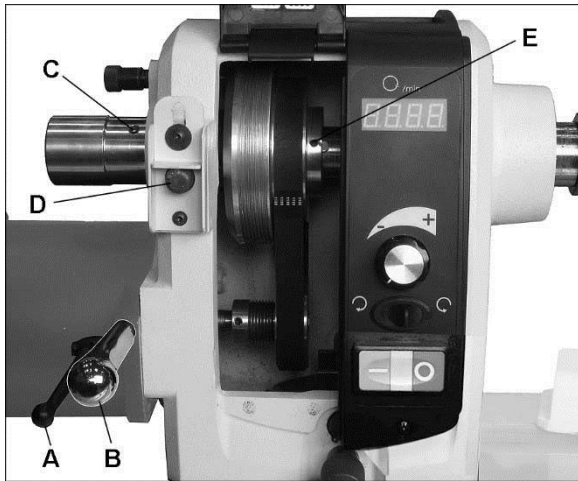


Fig 43

Use a wood dowel, or aluminium stock to knock spindle towards the tailstock. (Use a material that is softer than the spindle so you do not mushroom end of spindle).

Go only far enough to remove the belt from spindle.

To reassemble reverse the procedure.

When reinstalling hand wheel, thread it on to the spindle until its snug. Then back off slightly and tighten the set screws.

Note:

To remove the pulley for bearing replacement it is needed to loosen the 2 set screws (E).

Make sure the pulleys are oriented properly after reassembly for straight belt running.

9. Trouble shooting

Motor doesn't start

*No electricity-
check mains and fuse.

*Defective switch, motor or cord-
consult an electrician.

*Overload detected on AC-drive unit-
wait and restart machine; chose low speed range belt setting (40-1200 rpm) for better spindle torque.

Machine vibrates excessively

*Stand on uneven floor-
adjust stand for even support.

*Workpiece is not properly centred

*The speed is too high

Tailstock moves

*Cam lock nut needs adjusting-
Tighten cam lock nut.

*Bed and tailstock mating surfaces greasy or oily-
Remove tailstock and clean surfaces

*Excessive pressure applied-
Slide tailstock to right side of lathe against stop (N, Fig 10).
Move headstock into position and then apply pressure.

10. Environmental protection

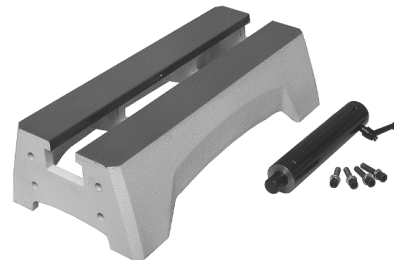
Protect the environment.

Your appliance contains valuable materials which can be recovered or recycled. Please leave it at a specialized institution.

11. Available accessories

Stock number 719401

Bed extension 508mm with tool post extension



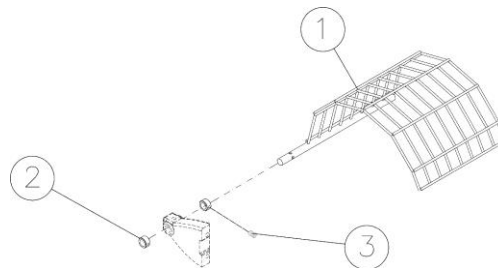
Stock number 719001

Tailstock swing away



Stock number 719002

Cage guard



Stock number 708331

Live centre MT2

Stock number 708343K

Drill chuck 13 mm, with tapered mandrel MT-2

Stock number 709911

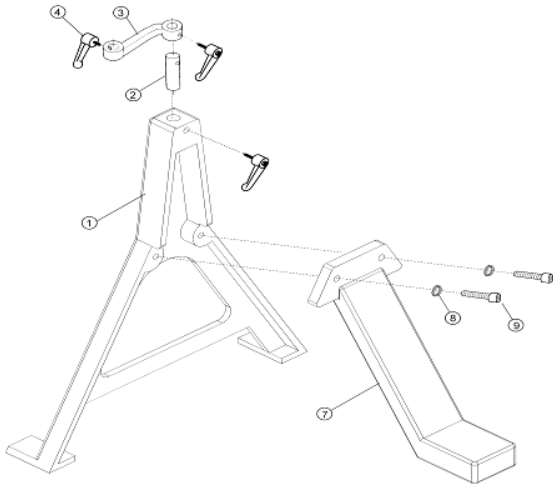
Face plate 75mm, M33x3.5

Stock number 709942

Four toothed spur centre MT2

Stock number 708349

Heavy outboard turning stand



Refer to the JET-Pricelist
for various tools and work holding.

DE - DEUTSCH

Gebrauchsanleitung

Sehr geehrter Kunde,

vielen Dank für das Vertrauen, welches Sie uns beim Kauf Ihrer neuen JET-Maschine entgegengebracht haben. Diese Anleitung ist für den Inhaber und die Bediener zum Zweck einer sicheren Inbetriebnahme, Bedienung und Wartung der **JET Drechselbank JWL-1640EVS** erstellt worden. Beachten Sie bitte die Informationen dieser Gebrauchsanleitung und der beiliegenden Dokumente. Lesen Sie diese Anleitung vollständig, insbesondere die Sicherheitshinweise, bevor Sie die Maschine zusammenbauen, in Betrieb nehmen oder warten. Um eine maximale Lebensdauer und Leistungsfähigkeit Ihrer Maschine zu erreichen befolgen Sie bitte sorgfältig die Anweisungen.

Inhaltsverzeichnis

1. Konformitätserklärung

2. Garantieleistungen

3. Sicherheit

Bestimmungsgemäße Verwendung
Allgemeine Sicherheitshinweise
Restrisiken

4. Maschinenspezifikation

Maschinenbeschreibung
Technische Daten
Schallemission
Lieferumfang

5. Transport und Inbetriebnahme

Transport und Aufstellung
Montage
Elektrischer Anschluss
Absaug Anschluss
Inbetriebnahme

6. Betrieb der Maschine

Richtige Arbeitsstellung
Drehstuhl Auswahl
Drehzahlwahl
Drehen zwischen Spitzen
Drehen von Schalen und Tellern
Schleifen und Imprägnieren

7. Rüst- und Einstellarbeiten

Drehzahlwechsel
Spindelarretierung
Spindelstock Schwenkung
Spindelteilung
Spannmittel Montage
Handstahlaufgabe Einstellung
Reitstock Einstellung

8. Wartung und Inspektion

Klemmexzenter-Einstellung
Riemen- und Lagerwechsel

9. Störungsabhilfe

10. Umweltschutz

11. Lieferbares Zubehör

1. Konformitätserklärung

Wir erklären in alleiniger Verantwortlichkeit, dass dieses Produkt mit den auf Seite 2 angegebenen Richtlinien* übereinstimmt.

Bei der Konstruktion wurden folgende Normen** berücksichtigt.

2. Garantieleistungen

Der Verkäufer garantiert, dass das gelieferte Produkt frei von Material- und Fertigungsfehlern ist. Diese Garantie trifft nicht auf jene Defekte zu, welche auf direkten oder indirekten, nicht fachgerechten Gebrauch, Unachtsamkeit, Unfallschaden, Reparatur, mangelhafte Wartung bzw. Reinigung sowie normalen Verschleiß zurückzuführen sind.

Garantie- bzw. Gewährleistungsansprüche müssen innerhalb von 12 Monaten ab dem Verkaufsdatum (Rechnungsdatum) geltend gemacht werden. Weitergehende Ansprüche sind ausgeschlossen.

Die vorliegende Garantie umfasst sämtliche Garantieverpflichtungen seitens des Verkäufers und ersetzt alle früheren Erklärungen und Vereinbarungen betreffend Garantien.

Die Garantiefrist gilt für eine tägliche Betriebszeit von 8 Stunden. Wird diese überschritten, so verkürzt sich die Garantiefrist proportional zur Überschreitung, jedoch höchstens auf 3 Monate.

Die Rücksendung beanstandeter Ware bedarf der ausdrücklichen vorherigen Zustimmung vom Verkäufer und geht auf Kosten und Gefahr des Käufers.

Die ausführlichen Garantieleistungen sind den Allgemeinen Geschäftsbedingungen (AGB) zu entnehmen. Die AGB sind unter www.jettools.com einzusehen oder werden auf Anfrage per Post zugestellt.

Der Verkäufer behält sich das Recht vor, jederzeit Änderungen am Produkt und Zubehör vorzunehmen.

3. Sicherheit

3.1 Bestimmungsgemäße Verwendung

Diese Drechselbank ist ausschließlich zum Drehseln von Holz geeignet.
Die Bearbeitung anderer Werkstoffe ist nicht zulässig bzw.

darf in Sonderfällen nur nach Rücksprache mit dem Maschinenhersteller erfolgen.

Es dürfen nur Werkstücke bearbeitet werden welche sicher zugeführt und gespannt werden können.

Die bestimmungsgemäße Verwendung beinhaltet auch die Einhaltung der vom Hersteller angegebenen Betriebs- und Wartungsanweisungen.

Die Maschine darf ausschließlich von Personen bedient werden, die mit Betrieb und Wartung vertraut und über die Gefahren unterrichtet sind.

Das gesetzliche Mindestalter ist einzuhalten.

Die Maschine nur in technisch einwandfreiem Zustand benützen.

Beim Arbeiten an der Maschine müssen alle Sicherheitsvorrichtungen angebracht sein.

Neben den in der Gebrauchsanleitung enthaltenen Sicherheitshinweisen und den besonderen Vorschriften Ihres Landes sind die für den Betrieb von Holzbearbeitungsmaschinen allgemein anerkannten fachtechnischen Regeln zu beachten.

Jeder darüber hinaus gehende Gebrauch gilt als nicht bestimmungsgemäß und für daraus resultierende Schäden haftet der Hersteller nicht. Das Risiko trägt allein der Benutzer.

3.2 Allgemeine Sicherheitshinweise

Holzbearbeitungsmaschinen können bei unsachgemäßem Gebrauch gefährlich sein. Deshalb ist zum sicheren Betreiben die Beachtung der zutreffenden Unfallverhütungsvorschriften und der nachfolgenden Hinweise erforderlich.



Lesen und verstehen Sie die komplette Gebrauchsanleitung bevor Sie mit Montage oder Betrieb der Maschine beginnen.



Bewahren Sie die Bedienungsanleitung, geschützt vor Schmutz und Feuchtigkeit, bei der Maschine auf, und geben Sie sie an einen neuen Eigentümer weiter.

An der Maschine dürfen keine Veränderungen, An- und Umbauten vorgenommen werden.

Überprüfen Sie täglich vor dem Einschalten der Maschine die einwandfreie Funktion und das Vorhandensein der erforderlichen Schutzeinrichtungen.

Festgestellte Mängel an der Maschine oder den Sicherheitseinrichtungen sind zu melden und von den beauftragten Personen zu beheben.

Nehmen Sie die Maschine in solchen Fällen nicht in Betrieb, sichern Sie die Maschine gegen Einschalten durch Ziehen des Netzsteckers.

Zum Schutz von langem Kopfhaar Mütze oder Haarnetz aufsetzen.

Enganliegende Kleidung tragen, Schmuck, Ringe und Armbanduhren ablegen.

Tragen Sie Schutzschuhe, keinesfalls Freizeitschuhe oder Sandalen.

Verwenden Sie die durch Vorschriften geforderte persönliche Schutzausrüstung.

- Augenschutz
- Ohrenschutz
- Staubschutz



Beim Arbeiten an der Maschine **keine Handschuhe tragen**.



Die Maschine so aufstellen, dass genügend Platz zum Bedienen und zum Führen der Werkstücke gegeben ist.

Sorgen Sie für gute Beleuchtung.

Achten Sie darauf, dass die Maschine standsicher auf fester und ebener Tischfläche steht.

Beachten Sie dass die elektrische Zuleitung nicht den Arbeitsablauf behindert und nicht zur Stolperstelle wird.

Den Arbeitsplatz frei von behindernden Werkstücken, etc. halten.

Seien Sie aufmerksam und konzentriert. Gehen Sie mit Vernunft an die Arbeit.

Achten Sie auf ergonomische Körperhaltung. Sorgen Sie für sicheren Stand und halten Sie jederzeit das Gleichgewicht.

Arbeiten Sie niemals unter dem Einfluss von Rauschmitteln wie Alkohol und Drogen an der Maschine. Beachten Sie, dass auch Medikamente Einfluss auf Ihr Verhalten nehmen können.



Niemals in die laufende Maschine greifen.



Halten Sie Unbeteiligte, insbesondere Kinder vom Gefahrenbereich fern.

Die laufende Maschine nie unbeaufsichtigt lassen. Vor dem Verlassen des Arbeitsplatzes die Maschine ausschalten.

Benützen Sie die Maschine nicht in der Nähe von brennbaren Flüssigkeiten oder Gasen.

Beachten Sie die Brandmelde- und Brandbekämpfungsmöglichkeiten z.B. Standort und Bedienung von Feuerlöschern.

Benützen Sie die Maschine nicht in feuchter Umgebung und setzen Sie sie nicht dem Regen aus.

Achten Sie stets darauf, dass keine zu große Staubkonzentration entsteht – verwenden Sie stets eine geeignete Absauganlage
Holzstaub ist explosiv und kann gesundheitsschädigend sein. Insbesondere tropische Hölzer und harte Hölzer wie Buche und Eiche sind als krebserregend eingestuft.

Vor der Bearbeitung Nägel und andere Fremdkörper aus dem Werkstück entfernen.

Es ist darauf zu achten dass das Drechselwerkzeug beim Bearbeiten mit beiden Händen sicher gehalten und sicher geführt wird.

Nur mit gut geschärften Werkzeugen arbeiten.

Bearbeiten Sie nur ein Werkstück, das sicher eingespannt ist. Vor dem Einschalten immer prüfen.

Bei Spindel-Gegenlauf, vergewissern Sie sich, dass das Spannmittel gegen Ablaufen gesichert ist. Die radialen Gewindestifte festsetzen.

Werkstücke vor dem Spannen zwischen Spitzen beidseitig mit Zentrierbohrung versehen.

Große und unwichtige Werkstücke nur mit kleiner Drehzahl bearbeiten.

Bei Schleifarbeiten die Handstahlaufgabe entfernen.

Nur homogene Werkstücke bearbeiten.
Prüfen Sie das Werkstück sorgfältig auf Risse, lose Äste oder andere Abweichungen welche eine Gefährdung darstellen.

Spannschlüssel oder Spannstifte vor dem Einschalten der Maschine entfernen.

Riemenabdeckung immer schließen.

Angaben über die min. und max. Werkstückabmessungen müssen eingehalten werden

Drehen Sie nach jeder Aufspannung das Werkstück von Hand und prüfen Sie die sichere Aufspannung und freie Rotation.
Starten Sie die Maschine in der niedrigsten Drehzahlstufe.

Späne und Werkstückteile nur bei stehender Maschine entfernen.

Auslaufende Werkstücke nie von Hand abbremsen.

Die Spindelblockierung nur bei stehender Spindel betätigen.

Messungen nie am rotierenden Werkstück vornehmen.

Nicht auf der Maschine stehen.

Die natürliche Luftströmung am Frequenzumformer darf nicht behindert werden (Kühlrippen nicht verdecken).

Arbeiten an der elektrischen Ausrüstung der Maschine dürfen nur durch eine Elektrofachkraft vorgenommen werden.



(Achtung: Mindestens 5 Minuten warten zur

Kondensatorentladung des Zwischenstromkreises bevor Arbeiten am Frequenzumformer vorgenommen werden).

Tauschen Sie ein beschädigtes Netzkabel sofort aus.

Umrüst-, Einstell- und Reinigungsarbeiten nur im Maschinenstillstand und bei gezogenem Netzstecker vornehmen.



3.3 Restrisiken

Auch bei vorschriftsmäßiger Benutzung der Maschine bestehen die nachfolgend aufgeführten Restrisiken.

Verletzungsgefahr durch das frei rotierende Werkstück.

Nicht homogene bzw. nicht belastbare Werkstücke können auf Grund der Zentrifugalkraft explodieren.

Verarbeiten Sie nur ausgesuchte Hölzer ohne Fehler.

Unwichtige Werkstücke führen zu Verletzungsgefahr.

Verletzungsgefahr durch unsichere Werkzeugführung, bei nicht exakt angestellter Werkzeugaufgabe und stumpfem oder defektem Drechselwerkzeug.

Rückschlaggefahr. Das Werkzeug wird von dem sich drehenden Werkstück erfasst und gegen den Bediener geschleudert.

Gefährdung durch wegfliegende Werkstücke und Werkstückteile.

Gefährdung durch Lärm und Staub.
Unbedingt persönliche Schutzausrüstungen wie Augen-, Gehör- und Staubschutz tragen.
Eine geeignete Absauganlage einsetzen!

Gefährdung durch Strom, bei nicht ordnungsgemäßer Verkabelung.

4. Maschinenspezifikation

4.1 Maschinenbeschreibung

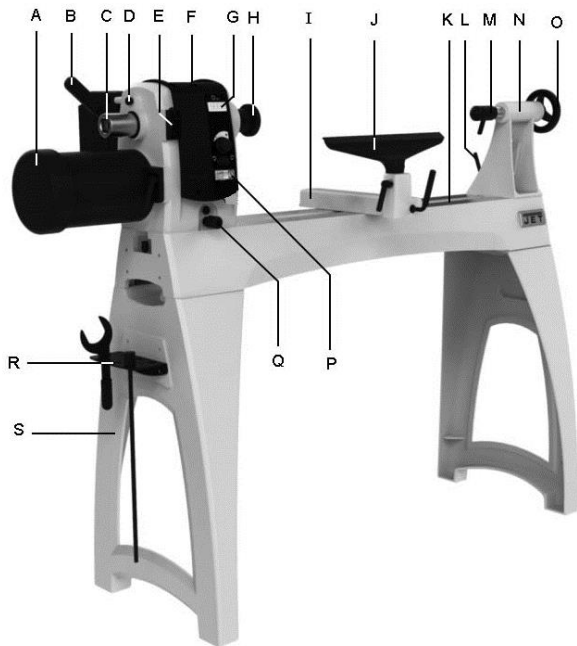


Fig 1

- A Motor
- B Spindelstock Klemmhebel
- C Spindel Handrad
- D Spindel Teileinrichtung
- E Spindelblockierung
- F Spindelstock
- G Spindel Drehzahlanzeige
- H Aufspannscheibe
- I Handstahlaufgabenbasis
- J Handstahlaufgabe 350mm
- K Maschinenbett
- L Reitstock Klemmhebel
- M Mitlauf-Körnerspitze
- N Reitstock
- O Reitstock Handrad
- P Bedienfront
- Q Spindelstock Schwenkindexierung
- R Werkzeugablage
- S Grauguss Maschinenfüße

4.2 Technische Daten

Drehdurchmesser über Bett	418 mm
Spitzenweite	990 & 940 mm
Drehzahlstufen	2
Drehzahlbereich 1	40-1200 U/min
Drehzahlbereich 2	100-3200 U/min
Spindelnahe	M33x3.5
Spindelkonus	MK 2
Spindelbohrung	9,5 mm
Spindelteilung	36 x 10°
Spindelstock-Schwenkung	0°, 30°, 60°, 90°, 120°, 180°, 270°
Reitstockkonus	MK 2
Reitstockbohrung	9 mm
Reitstock Pinolenhub	108 mm
Spindel Arbeitshöhe	1130 mm

Maschinenabmessungen (LxBxH)	1854x508x1334 mm
Maschinengewicht	170 kg
Netzanschluss	1~230V, PE, 50Hz
Abgabeleistung	1,1 kW (1.5 PS) S1
Betriebsstrom	8 A
Anschlussleitung (H07RN-F):	3x1,5 mm ²
Bauseitige Absicherung	16A
Isolations Schutzklasse	I

4.3 Schallemission

Schalldruckpegel (nach EN ISO 11202)	
Leerlauf	LpA 72,5 dB(A)
Bearbeitung	LpA 78,4 dB(A)

Die angegebenen Werte sind Emissionspegel und sind nicht notwendigerweise Pegel für sicheres Arbeiten. Sie sollen dem Anwender eine Abschätzung der Gefährdung und des Risikos ermöglichen.

4.4 Lieferumfang

Maschinenbett mit Handstahlaufgabe und Reitstock – A

350mm Handstahlaufgabe – B

Grauguss-Maschinenfüße – C

Stirnmitnehmer – D

Mitlauf-Körnerspitze – E

Mitlauf-Körnerspitze mit Kegel – F

Arretierstift für Mitlauf-Körnerspitze – G

Ausstoßbolzen – H

75mm Aufspannscheibe – J (montiert auf Drehbank)

Ausleger für Handstahlaufgabe – K

Gabelschlüssel für Aufspannscheibe – L

Nivellierschuhe – M

Werkzeugablage – N

8x Innensechskantschrauben, 5/16"x1-1/4" – HP1*

8x Federscheiben, 5/16" – HP2*

8x Scheiben, 5/16" – HP3*

2x Innensechskantschrauben, 3/8x1-1/4" – HP4

2x Federscheiben, 3/8" – HP5

Gebrauchsanleitung

Ersatzteilliste

* enthalten im Montagset JW1440-HP1

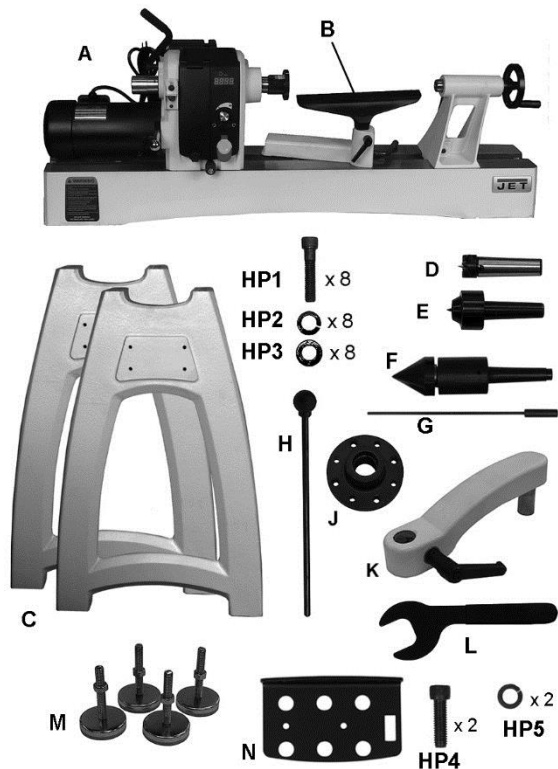


Fig 2

5. Transport und Inbetriebnahme

5.1. Transport und Aufstellung

Die Aufstellung der Maschine sollte in geschlossenen Räumen erfolgen, die Aufstellfläche muss dabei ausreichend eben und belastungsfähig sein.

Die Maschine kann bei Bedarf am Boden festgeschraubt werden.

Aus verpackungstechnischen Gründen ist die Maschine nicht komplett montiert.

5.2 Montage

Wenn Sie beim Auspacken einen Transportschaden feststellen, benachrichtigen Sie umgehend Ihren Händler, nehmen Sie das Gerät nicht in Betrieb.

Entsorgen Sie die Verpackung bitte umweltgerecht.

Entfernen Sie das Rostschutzfett mit einem milden Lösungsmittel.

Montage der Gussfüße :

Dazu müssen der Spindelstock, der Reitstock und die Handstahlaufgabe entfernt werden.

Entfernen Sie die Anschlagbolzen (N, Fig 3).



Fig 3

Entfernen Sie nun den Spindelstock, den Reitstock und die Handstahlaufgabe.

ACHTUNG Das Maschinenbett ist schwer! Seien Sie vorsichtig und holen Sie sich Hilfe.

Wenden Sie das Bett vorsichtig. Verwenden Sie eine Matte oder einen Karton als Unterlage, damit die Bettführungen nicht zerkratzt werden.

Befestigen Sie die Maschinenfüße mit 8 Innensechskant-Schrauben, Federscheiben und Scheiben. Die Schrauben mit einem 6mm Inbusschlüssel gut festziehen (Fig 4).

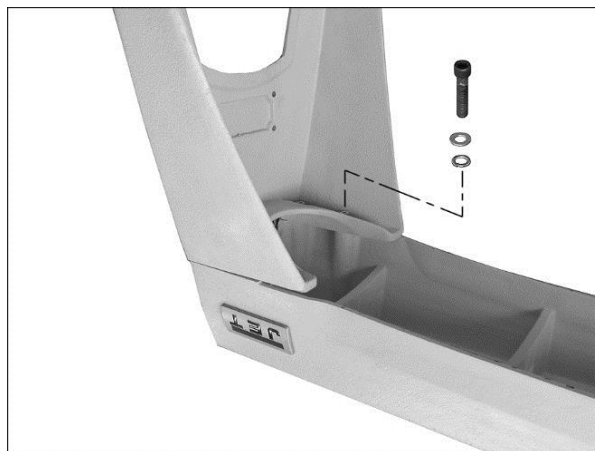


Fig 4

Montieren Sie die 4 Nivelierfüße und kontern Sie die Muttern gegen die Gussfüße. Die Nivelierfüße können später eingestellt werden (Fig 5)



Fig 5

Holen Sie sich Hilfe und stellen Sie die Maschine auf.

Passen Sie die Nivellierfüße so an, dass die Drechselbank eben auf dem Boden steht. Kontern Sie die Muttern.

Nun können Spindelstock, Reitstock und Handstahlaufgabe wieder montiert werden (Fig 6).



Fig 6

Montieren Sie die Anschlagbolzen (N, Fig 3).

Montage der Werkzeugablage :

Befestigen Sie an einem der Bettenden die Werkzeugablage (N, Fig2) mit Schrauben und Scheiben (HP4, HP5).

Standregal :

Falls Sie es wünschen können Sie eine Ablagefläche zwischen die Maschinenfüße montieren (siehe Fig 7).

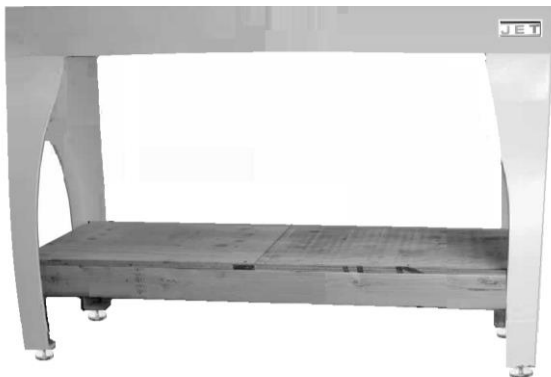


Fig 7

Montage der 508mm Bettverlängerung : (JET Zubehör # 719401)

Die Bettverlängerung kann am Maschinenbett oder am Gussfuß befestigt werden.

Montage am Gussfuß

Zur Verwendung der Handstahlaufgabe beim Dreheln großer Schalen (Fig 8).



Fig 8

Montage am Maschinenbett

Zur Verlängerung der Spitzenweite.

Holen Sie sich Hilfe.

Montieren Sie die Bettverlängerung am Maschinenbett, mit 4 Zylinderschrauben und Scheiben (P, Fig 9).

Die Schrauben vorläufig nur leicht festziehen.

Versetzen sie den Anschlagbolzen (N) vom Maschinenbett auf die Bettverlängerung.

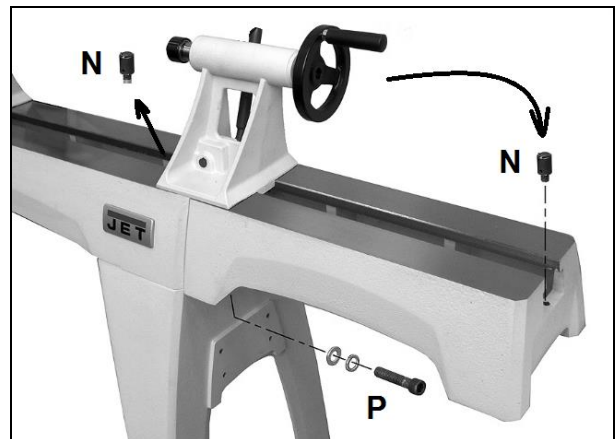


Fig 9

Die Bett-Führungsflächen müssen bündig ausgerichtet sein, um eine sanfte Verstellung des Reitstocks zu ermöglichen.

Schieben Sie den Reitstock über die Stoßstelle, so dass die Reitstock-Klemmung beide Betten erfasst. Klemmen Sie den Reitstock fest; dies wird die Betten zueinander ausrichten.

Die Schrauben (P) nun gut festziehen.

Gitterschutz Montage : (JET Zubehör # 719002)

Lösen Sie den Gewindestift (B, Fig 10) und entfernen Sie den Stelling.

Heben Sie den Indexierstift (A) leicht an und stecken Sie den Schutz in die Halterung.

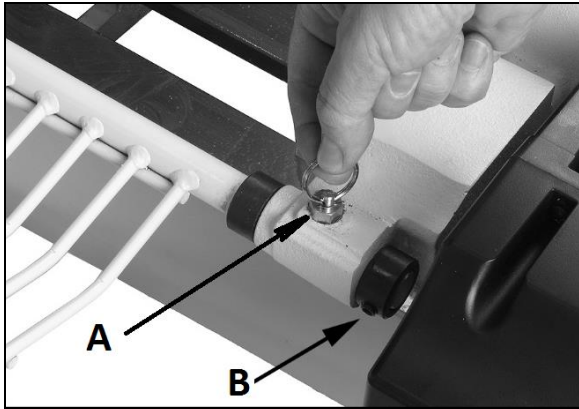


Fig 10

Klemmen Sie den Stellring mit Gewindestift (B) auf der Achse fest.

Es gibt zwei Stellungen in welchen der Indexierstift einrastet, in Arbeitsstellung und geöffnet (Fig 11).

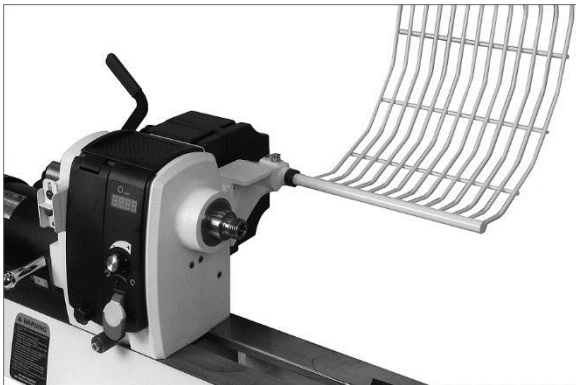


Fig 11

5.3 Elektrischer Anschluss

Der kundenseitige Netzanschluss sowie die verwendeten Verlängerungsleitungen müssen den Vorschriften entsprechen. Die Netzspannung und Frequenz müssen mit den Leistungsschilddaten an der Maschine übereinstimmen.

Die bauliche Absicherung muss dabei 16A betragen.

Verwenden Sie nur Anschlussleitungen mit Kennzeichnung H07RN-F

Anschlüsse und Reparaturen der elektrischen Ausrüstung dürfen nur von einem Elektrofachkraft durchgeführt werden.

5.4 Absaug Anschluss

Vermeiden Sie eine hohe Luftstaubkonzentration. Setzen Sie ein geeignetes Absaug- bzw. Filtersystem ein.

5.5 Inbetriebnahme

Ein/Aus Schalter :

Mit dem grünen Ein-Taster (A, Fig 12) kann die Maschine gestartet werden.

Der Spindelanlauf erfolgt langsam. Die volle Drehzahl wird in ca. 5 Sekunden erreicht.

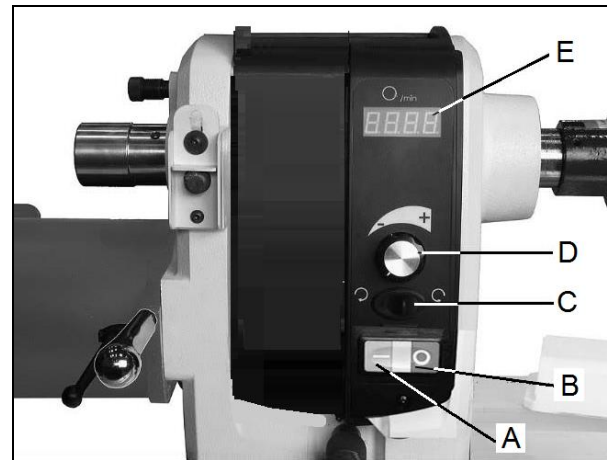


Fig 12

Zum Stillsetzen drücken Sie den Roten Aus-Taster (B). Warten Sie bis das Werkstück zum Stillstand kommt.

Drehzahlwahl :

Die gewünschte Drehzahl kann am Drehgriff (D) stufenlos eingestellt werden.

Die Digitalanzeige (E) zeigt die Spindeldrehzahl in U/min

Vor-und Rücklauf Schalter :

Benutzen Sie den Schalter (C), um die Spindeldrehrichtung zu wenden.

Das Umschalten auf Spindel-Gegenlauf ist möglich, ohne die Maschine vorher zu stoppen.

Achtung :

Vor jedem Spindel-Gegenlauf, vergewissern Sie sich, dass das Spannmittel gegen Ablaufen gesichert ist. Die 2 Gewindestifte festsetzen.

Stellen Sie vor jedem Maschinenstart den Drehgriff (D) auf die niedrigste Stufe. Die Maschine niemals in der höchsten Stufe starten.

Der Frequenzumformer erfordert keine Programmierung, er ist werksseitig voreingestellt. Nehmen Sie keine Veränderung vor.

2 Riemenstufen :

Es stehen 2 Drehzahlbereiche durch Riemenumlegen zur Verfügung (Fig 14).

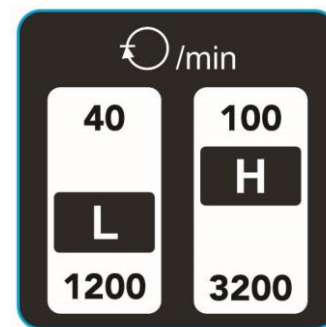


Fig 14

- "hohes Drehmoment" L (40~ 1200 U/min).
- "hohe Drehzahl" H (100~3200 U/min)

6. Betrieb der Maschine

6.1 Richtige Arbeitsstellung

Das Drehselwerkzeug immer aufgelegt an der Handstahlaufgabe führen. Dabei die Finger geschlossen halten und mit dem Handballen an der Handstahlaufgabe abstützen (Fig 15-1 und 15-2).

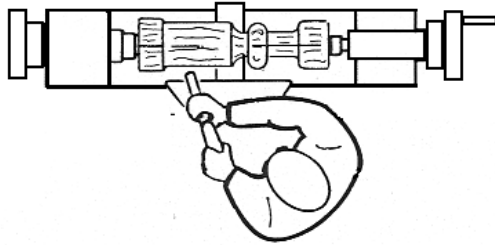


Fig 15-1

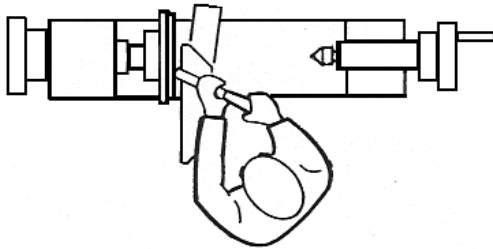


Fig 15-2

6.2 Drehstahl Auswahl

Erfolgreiches Drehseln hängt nicht von hohen Drehzahlen ab, sondern von der richtigen Anwendung der Drehselwerkzeuge.

Eine Voraussetzung für fachgerechtes Drehseln ist ein einwandfreies und geschärftes Drehselwerkzeug.

Die wichtigsten Drehselstähle :

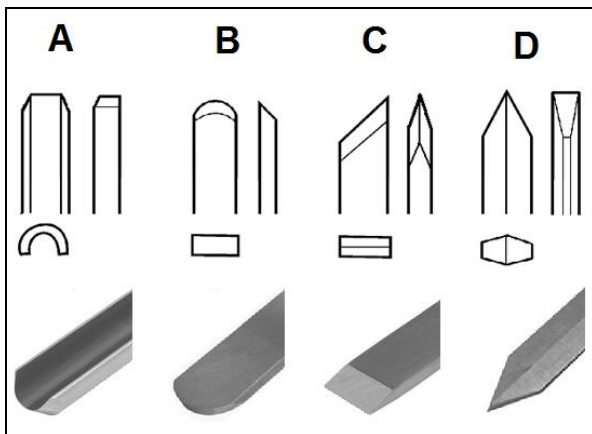


Fig 16

Drehselröhre (A, Fig 16)

Wichtigstes Drehselwerkzeug, wird verwendet zur Schrumpferspannung, zum Aushöhlen von Schalen und Tellern und zum Drehseln von Einschnürungen (Fig 17).

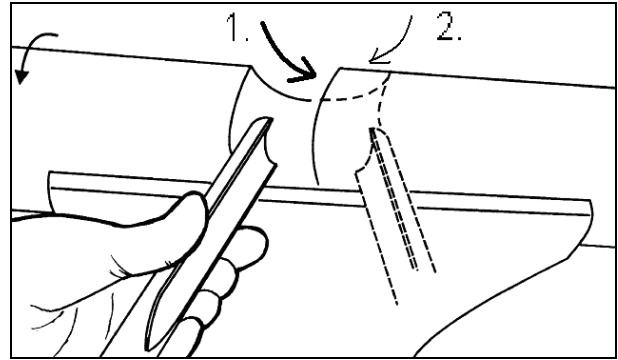


Fig 17

Schaber (B, Fig 16)

Wird verwendet zur Außen- und Innenkalibrierung sowie zum Entfernen von Bearbeitungsriefen.

Schrägmeißel (C, Fig 16)

Wird verwendet zum Drehseln von V-Rillen und zur Außenkalibrierung.

Die Schneide wird parallel zum Schnitt angestellt (Fig 18)

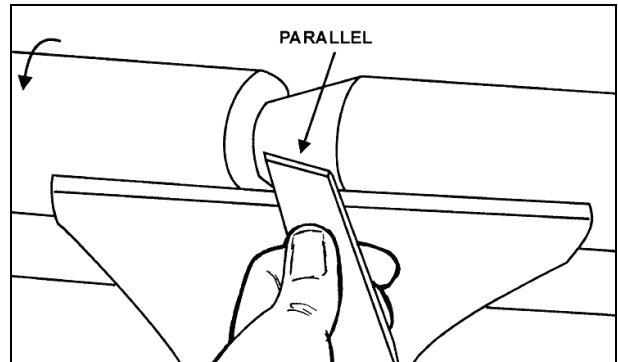


Fig 18

Abstechstahl (D, Fig 16)

Wird verwendet um direkt in das Werkstück einzutauchen, z.B. beim Einstechen auf Maß, Hinterdrehen, und Abstechen. Kann auch als Schaber eingesetzt werden.

6.3 Drehzahlwahl

Große und ungewichtige Werkstücke nur mit kleiner Drehzahl bearbeiten.

Beim Auftreten von Vibrationen die Maschine stoppen und Abhilfe schaffen.

Beachten Sie die Drehzahlempfehlung.

Drehzahlempfehlung

Werkstück Durchmesser mm	Schruppen U/min	Allgemein U/min	Schlichten U/min
< 50	1500	3200	3200
50-100	700	1600	2500
100-150	500	1100	1600
150-200	370	800	1200
200-250	300	650	1000
250-300	250	500	800
300-350	220	450	700
350-400	180	400	600

6.4 Drehen zwischen Spitzen

Markieren und kornen Sie die Werkstückmitte an beiden Enden.

Bei harten Hölzern kann spindelstockseitig erforderlich sein Einschnitte anzubringen (siehe Fig 19).

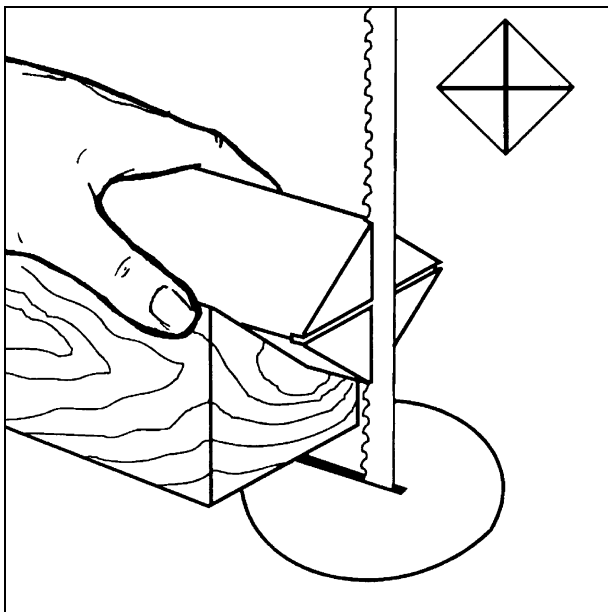


Fig 19

Der Stirnmitnehmer wird in den Spindelkonus eingesteckt und kann mit dem Ausstoßbolzen wieder entfernt werden. (Fig 20).

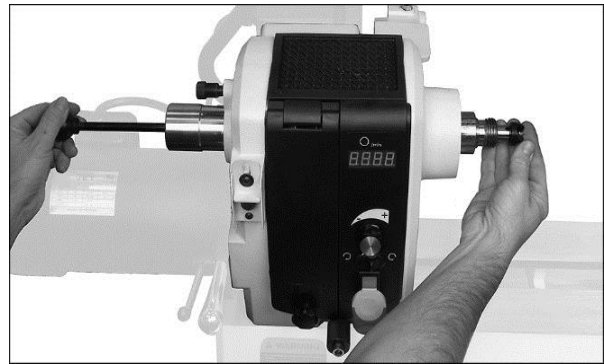


Fig 20

Die Mitlaufkörnerspitze wird in die Reitstockpinole eingesteckt und kann entfernt werden indem man das Handrad gegen den Uhrzeigersinn dreht (Fig 21).

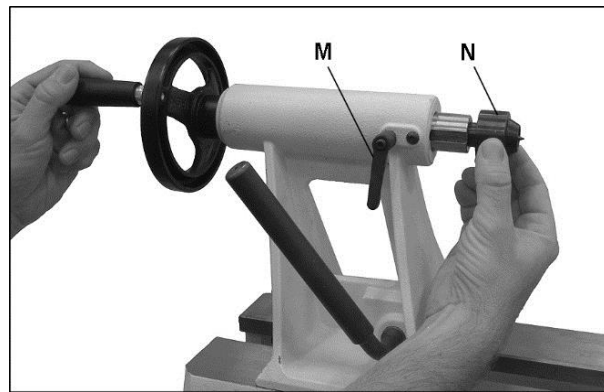


Fig 21

Zum Abschrauben der Kegelspitze (R, Fig 22) muss die Spindel mit dem gelieferten Querstift (S) festgesetzt werden.

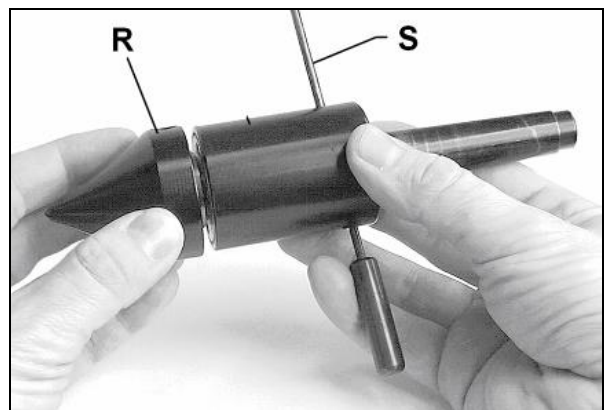


Fig 22

Zum Tieflochbohren kann die Zentrierspitze ausgestoßen werden.

Spannen Sie das zentrierte Werkstück zwischen den Stirnmitnehmer und die Mitlaufkörnerspitze (Fig 23).



Fig 23

Drehen Sie das Reitstock Handrad bis die Mitlaufkörnerspitze im Werkstück gut festsetzt. Drehen Sie das Handrad eine Vierteldrehung zurück und klemmen Sie die Reitstockpinole fest (M, Fig 21).

Drehen Sie das Werkstück von Hand und prüfen Sie die sichere Aufspannung und die freie Rotation.

Stellen Sie die Handstahlaufgabe so nahe an das Werkstück als möglich und fixieren Sie die Position.

Beim Arbeiten zwischen den Spitzen wird die Höhe der Handstahlaufgabe ca. 3 mm über der Spitzenhöhe eingestellt (Fig 24, 25 und 26)

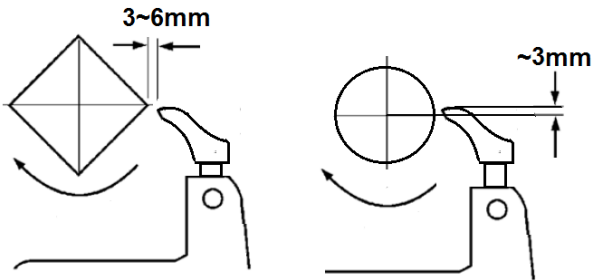


Fig 24

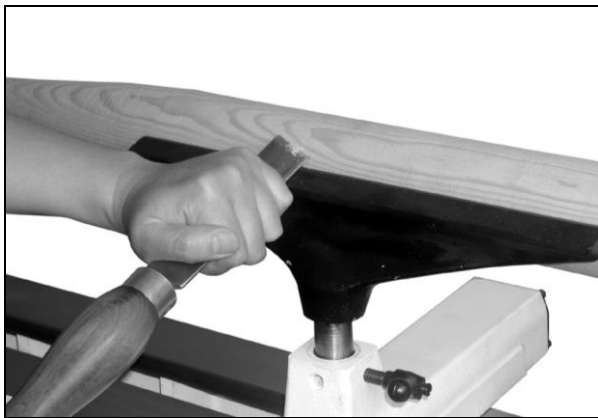


Fig 25



Fig 26

6.5 Drehen von Schalen und Tellern

Drehen Sie die Außenkontur zwischen Spitzen.

Das Andrehen eines kurzen Zapfens (T, Fig 27) mit dem Innendurchmesser der Aufspannscheibe hilft dabei das Werkstück in der zweiten Aufspannung zu zentrieren.

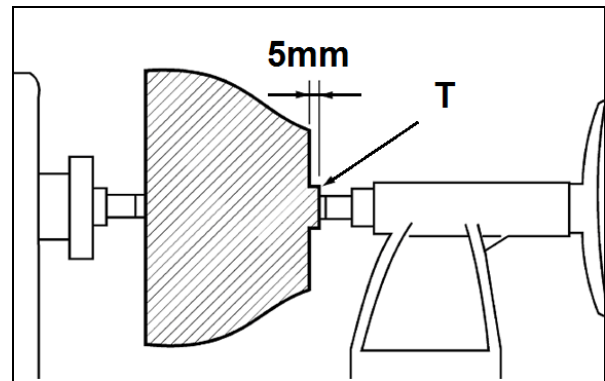


Fig 27

Befestigen Sie das Werkstück (A, Fig 28) mit 4 Holzschrauben (C) direkt an der Aufspannscheibe. Seien Sie vorsichtig bei der Schraubenwahl. Zu lange Schrauben ragen in den Zerspanungsbereich und zu kurze ergeben keine sichere Aufspannung.

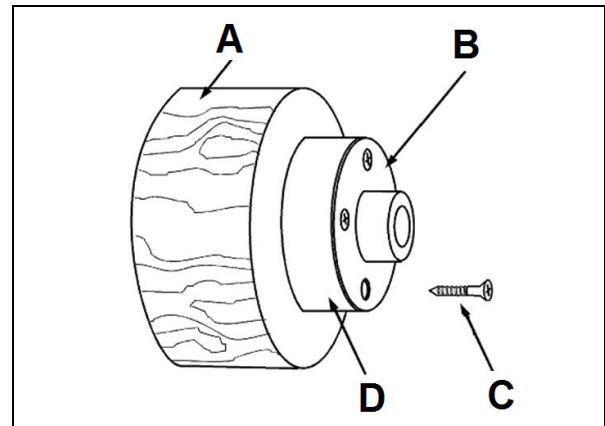


Fig 28

Falls keine Schraubenbefestigung zulässig ist kann das Werkstück auch auf eine Trägerscheibe (D) aufgeklebt werden, welche wiederum mit der Aufspannscheibe verschraubt ist.

Mit einem dazwischen geklebten Stück Papier vermeiden Sie Beschädigungen des Werkstücks beim späteren Lösen.

Die Aufspannscheibe zusammen mit dem bereits aufgespannten Werkstück auf die Spindelnase aufschrauben und von Hand festziehen.

Drehen Sie das Werkstück von Hand und prüfen Sie die sichere Aufspannung und die freie Rotation.

Stellen Sie die Handstahlaufgabe so nahe an das Werkstück als möglich und fixieren Sie die Position.

Beim Arbeiten mit der Aufspannscheibe wird die Höhe der Handstahlaufgabe leicht unterhalb der Spitzenhöhe eingestellt.

Achtung: Arbeiten Sie mit dem Drehstuhl nur links von der Drehmitte.

Führen Sie die Drechselröhre mit der linken Hand, während die rechte Hand zum Körper schwingt (Fig 29).

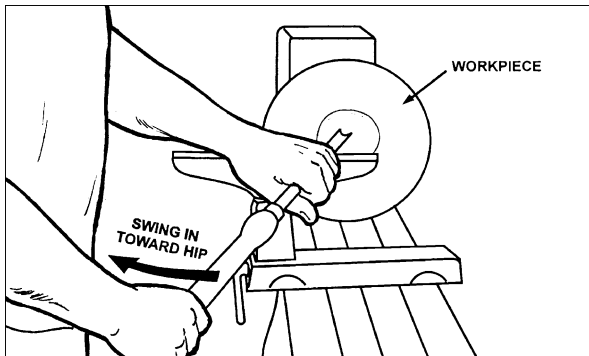


Fig 29

Beginnen Sie die Spanabnahme am Schalenrand und führen Sie die Drechselröhre möglichst in einer durchgängigen Bewegung bis zum Schalenrund.

Versetzen Sie die Handstahlaufgabe nach außen und dreheln Sie die Schalenunterseite fertig.

6.6 Schleifen und Imprägnieren

Entfernen Sie die Handstahlaufgabe.

Beginnen Sie mit einer 120 Körnung und setzen Sie stufenweise feineres Schleifpapier ein.

Verwenden Sie vorzugsweise kraftbetriebene Schleifwerkzeuge um konzentrische Schleifrillen zu vermeiden.

Stoppen Sie bei einer 220 Körnung.

Erste Imprägnierung aufbringen und trocknen lassen.

Fertigschleifen mit 320 oder 400 Körnung.

Das Werkstück mit einem Abstechstahl vom Reststück ansatzweise trennen.

(Unter Durchmesser 80mm mit einer feinen Handsäge durchtrennen).

Zweite Imprägnierung aufbringen und trocknen lassen.

Die Oberfläche fertig polieren.

7. Rüst- und Einstellarbeiten

Allgemeine Hinweise

Vor Rüst- und Einstellarbeiten muss die Maschine gegen Inbetriebnahme gesichert werden. Netzstecker ziehen!

7.1 Drehzahlwechsel

Die Stromzufuhr durch Ziehen des Netzsteckers trennen !

Lösen Sie die Sicherungsschraube und öffnen Sie die Riemenabdeckung.

Lösen Sie die Klemmung der Motoraufhängung (A, Fig 30).

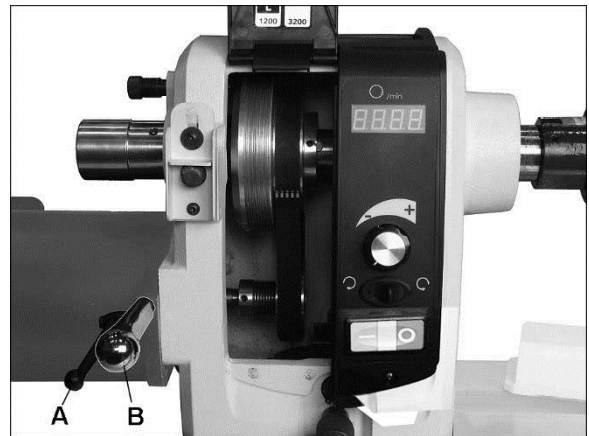


Fig 30

Entspannen Sie den Poly-V Riemen mit Hilfe des Spannhebels (B).

Wechseln Sie die Riemenlage je nach gewünschtem Drehzahlbereich (Fig 31).

Achten Sie auf korrekten Sitz des Riemen in den V-Rillen der Riemenscheiben.

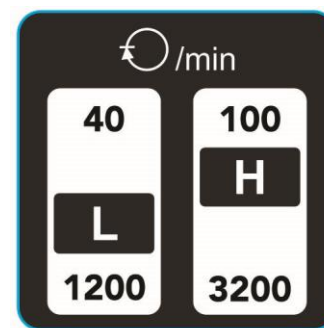


Fig 31

Hinweis :

Der hohe Drehzahlbereich H (100~3200 U/min) ergibt maximale Geschwindigkeit, der niedere Drehzahlbereich L (40~1200 U/min) ergibt maximales Drehmoment.

Spannen Sie den Riemen mit dem Spannhebel und klemmen Sie die Motoraufhängung (Das Motorgewicht reicht zur Riemenspannung).

Schließen Sie die Riemenabdeckung und sichern Sie mit der Sicherungsschraube.

Ein/Aus Schalter :

Mit dem grünen Ein-Taster (A, Fig 32) kann die Maschine gestartet werden.

Der Spindelstart erfolgt langsam.

Die volle Drehzahl wird in ca. 5 Sekunden erreicht.

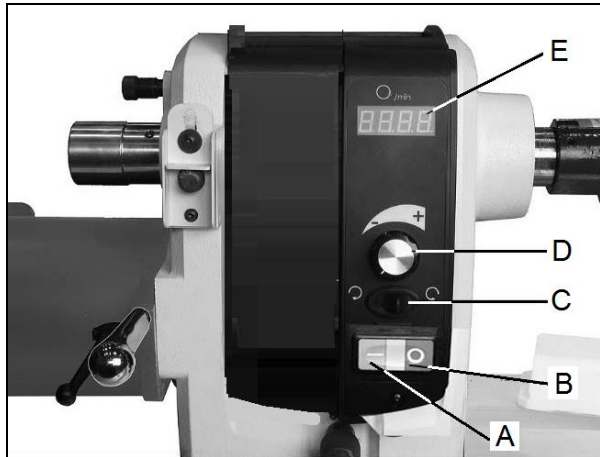


Fig 32

Zum Stillsetzen drücken Sie den Roten Aus-Taster (B).
Warten Sie bis das Werkstück zum Stillstand kommt.

Drehzahlwahl :

Die gewünschte Drehzahl kann am Drehgriff (D) stufenlos eingestellt werden.

Die Digitalanzeige (E) zeigt die Spindeldrehzahl in U/min

Vor-und Rücklauf Schalter :

Benutzen Sie den Schalter (C), um die Spindeldrehrichtung zu wenden.

Das Umschalten auf Spindel-Gegenlauf ist möglich, ohne die Maschine vorher zu stoppen.

Achtung:

Vor jedem Spindel-Gegenlauf, vergewissern Sie sich, dass das Spannmittel gegen Ablaufen gesichert ist. Die 2 Gewindestifte festsetzen.

Stellen Sie vor jedem Maschinenstart den Drehgriff (D) auf die niedrigste Stufe. Die Maschine niemals in der höchsten Stufe starten.

Der Frequenzumformer erfordert keine Programmierung, er ist werksseitig voreingestellt. Nehmen Sie keine Veränderung vor.

7.2 Spindelarreterung

Drücken Sie den Bolzen (P, Fig 34) bis er einrastet um die Spindel zu blockieren.

Schieben Sie die Lasche (F) nach unten, um die Arretierung aufrechtzuerhalten.

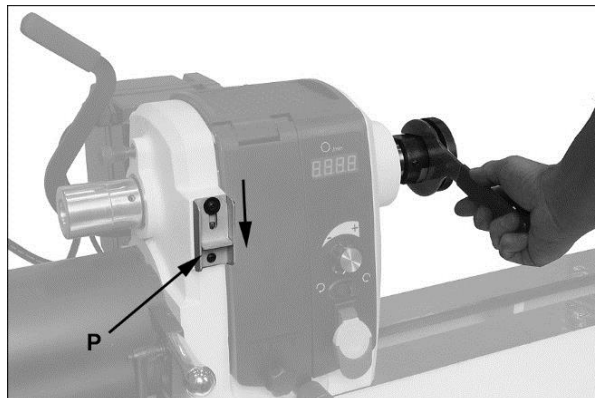


Fig 34

Achtung:

Die Spindelarreterung nur bei stehender Spindel betätigen.

7.3 Spindelstock Schwenkung

WICHTIG: Entfernen Sie zuerst die Schwenkblockade (Fig 35) mit einem 4mm Inbusschlüssel.

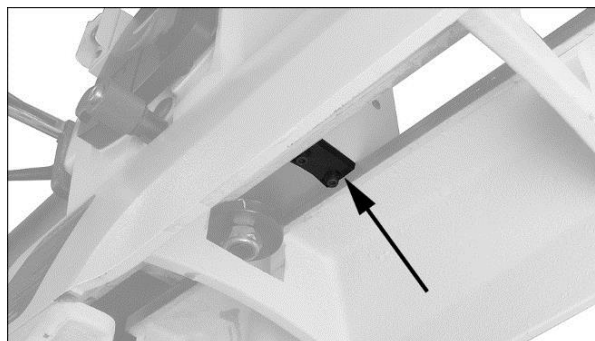


Fig 35

Zum Schwenken :

Lösen Sie den Rastbolzen (B, Fig 36) durch Drehen gegen den Uhrzeigersinn.

Zum Schwenken lösen Sie die Spindelstockklemmung (A) und ziehen Sie am Rastbolzen (B).



Fig 36

Zur Bearbeitung großer Werkstücke muss der Spindelstock um 90° geschwenkt, sowie der Ausleger der Handstahlaufgabe montiert werden.

Warnung:

Die Maschine nur mit fixierter Spindelstockklemmung und festgeschraubtem Rastbolzen betreiben.

Der Spindelstock kann überall entlang des Maschinenbettes festgeklemmt werden.

7.4 Spindel Teileinrichtung

Die Spindelteilung ermöglicht das Festsetzen der Spindel zum Anbringen von gleichmäßig geteilten Bohrungen, Nuten, etc. am Werkstück.

In der Riemenscheibe befinden sich 36 Bohrungen im Abstand von 10°, in welchen der Indexierstift einrastet.

Schrauben Sie dazu den Indexierstift (L, Fig 37) in den Spindelstock bis er in einem der Löcher gut fest sitzt.

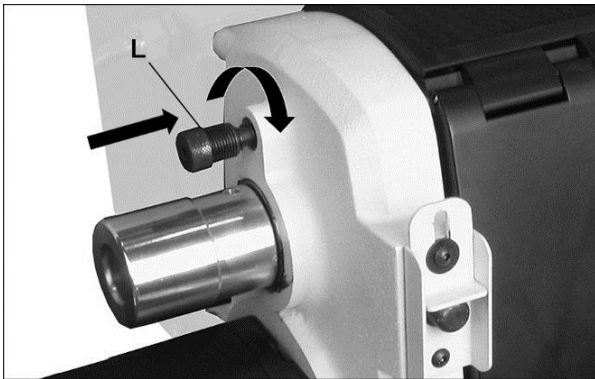


Fig 37

Achtung:

Lösen Sie den Indexierstift bevor Sie die Maschine einschalten.

Drücken Sie niemals den Indexstift, während sich die Spindel dreht.

Verwenden Sie die Teileinrichtung nicht zum Blockieren der Spindel. Dafür gibt es die Spindel Arretierung, welche hohe Kräfte schadlos übersteht.

7.5 Spannmittel Montage

Die Aufspannscheibe wird zum Drehen von Schüsseln und Tellern verwendet.

Es befinden sich eine Vielzahl von Löchern in der Aufspannscheibe um das Werkstück zu befestigen.

Schrauben Sie die Aufspannscheibe im Uhrzeigersinn auf die Spindel und sichern Sie mit 2 Gewindestiften (E, Fig 38).

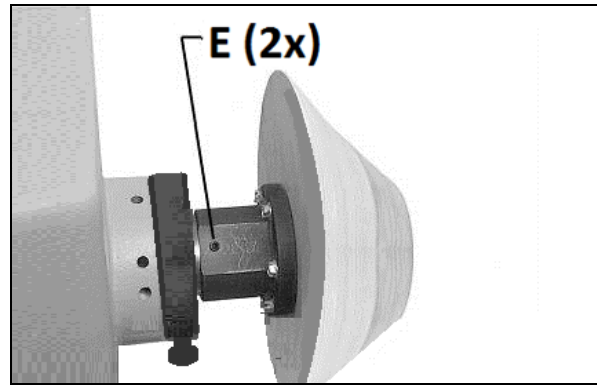


Fig 38

Demontage :

Lösen Sie die 2 Gewindestifte bevor Sie die Aufspannscheibe wieder abschrauben.

Blockieren Sie die Spindel und verwenden Sie den gelieferten Gabelschlüssel.

7.6 Handstahlaufgabe Einstellung

Eine 350mm Handstahlaufgabe ist mitgeliefert. Sie kann in der Höhe und in der Position verstellt werden.

Lösen Sie den Klemmhebel (G, Fig 39) und verstellen Sie die Handstahlaufgabenbasis nach Bedarf. Vor Maschinenbetrieb wieder gut festklemmen.

Lösen Sie den Indexiergriff (H) um Höhe und Winkel der Handstahlaufgabe zu verstellen. Vor Maschinenbetrieb wieder gut festklemmen.

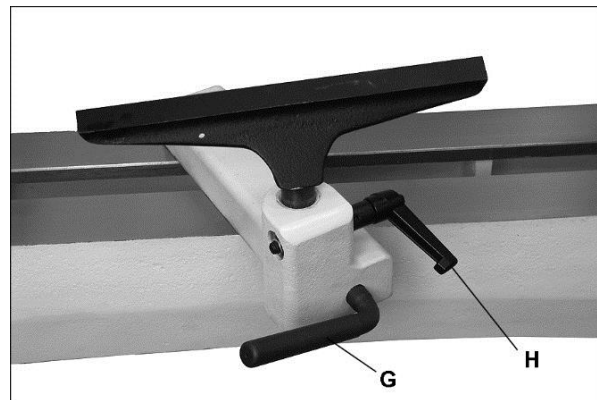


Fig 39

Ausleger für Handstahlaufgabe :

Der Ausleger (J, Fig 40) ermöglicht eine größere Handstahlaufgaben-Reichweite, insbesondere hilfreich wenn mit geschwenktem Spindelstock gearbeitet wird.

Zur Schaftaufnahme die Klemmhülsen (K) ausreichend auf Abstand bringen.

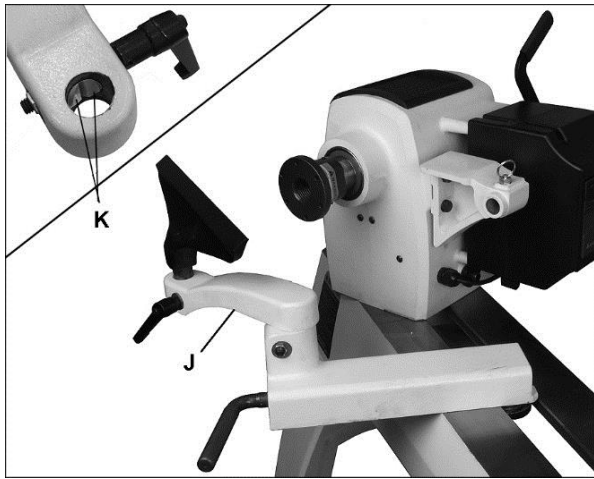


Fig 40

7.7 Reitstock Einstellung

Drehen Sie das Handrad (R, Fig 41) im Uhrzeigersinn um die Pinole auszufahren und klemmen Sie den Indexiergriff (Q).

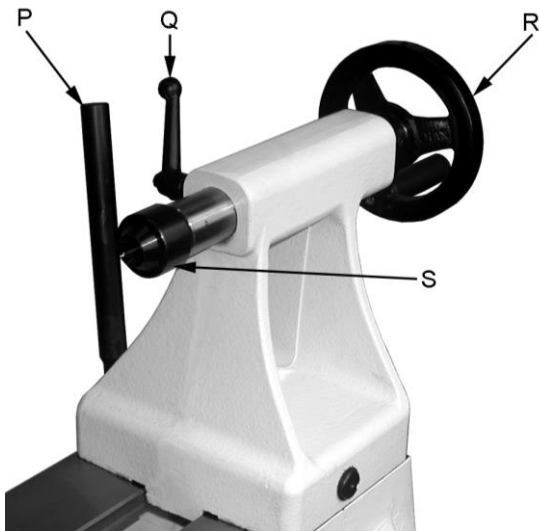


Fig 41

Der Hebel (P) klemmt den Reitstock am Maschinenbett fest.

Die Mitlaufkörnerspitze (S) kann durch Drehen des Handrads im Gegen-Uhrzeigersinn ausgeworfen werden.

Zum Tieflochbohren entfernen Sie die Zentrierspitze des Rollkörners.

8. Wartung und Inspektion

Allgemeine Hinweise

Vor Wartungs- Reinigungs- und Reparaturarbeiten muss die Maschine gegen Inbetriebnahme gesichert werden. Netzstecker ziehen!

Reinigen Sie die Maschine in regelmäßigen Zeitabständen.

Prüfen Sie täglich die ausreichende Funktion der Absaugung.

Beschädigte Sicherheitseinrichtungen sofort ersetzen.

Anschlüsse und Reparaturen der elektrischen Ausrüstung dürfen nur von einer Elektrofachkraft durchgeführt werden.

8.1 Klemmexzenter Einstellung

Sollte eine Nachstellung erforderlich sein, entfernen Sie zuerst die Anschlagschraube (N, Fig 3).

Schieben Sie Spindelstock, Reitstock oder Handstahlauflage an das Bettende und stellen Sie die Mutter (F, Fig 42) geringfügig nach.

Testen Sie die Klemmwirkung.

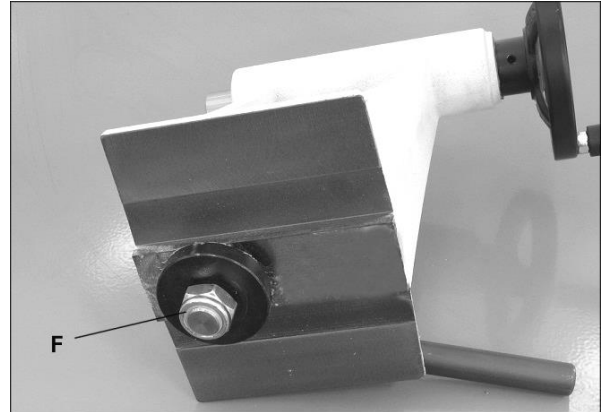


Fig 42

8.2 Riemen- und Lagerwechsel

Riemen- und Lagerwechsel sind schwierig auszuführen. Bringen Sie den gesamten Spindelstock in eine Reparaturwerkstatt.

Netzstecker ziehen.

Riemenabdeckung entfernen, den Riemen von der Motorriemenscheibe abnehmen.

Das Handrad nach dem Lösen der 2 Gewindestifte (C, Fig 43) entfernen.

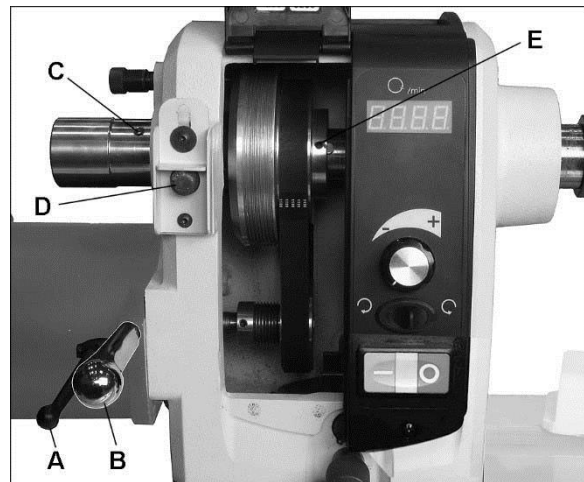


Fig 43

Mit Hilfe eines Aluminium- oder Hartholzstückes die Spindel in Richtung Reitstock hämmern.

(Verwenden Sie ein weiches Material als Triebhülse um eine Spindelbeschädigung zu vermeiden).

Zum Riemenwechsel ist es nicht erforderlich die Spindel gänzlich zu entfernen.

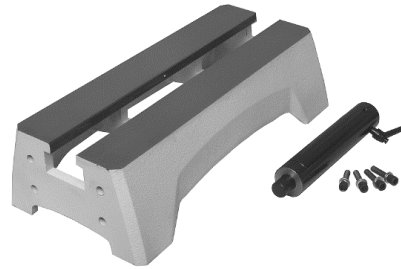
Der Zusammenbau erfolgt in umgekehrter Reihenfolge.

Das Handrad am Lager anstellen, danach wieder etwas zurückdrehen und mit Gewindestiften fixieren.

Hinweis für Lagerwechsel:

Zum Entfernen der Riemenscheibe ist es erforderlich die 2 Gewindestifte (E) zu lösen.

Beim Zusammenbau auf Fluchten der Riemenscheiben achten.



Artikel Nummer 719001
Reitstock-Abschwenkvorrichtung

9. Störungsabhilfe

Motor startet nicht

*Kein Strom-
Netzsicherung prüfen.

*Motor, Schalter oder Kabel defekt-
Elektrofachkraft kontaktieren.

*Überlast erkannt am Frequenzumformer-
Warten Sie 5 Minuten zum Abkühlen, dann starten Sie die Maschine neu.

Falls möglich, wählen Sie die niedrige Drehzahlstufe (40~1200 U/min) für mehr Drehmoment.

Starke Maschinenvibrationen

*Maschine steht uneben-
Ausgleich schaffen.

*Das Werkstück ist schlecht zentriert

*Die Drehzahl ist zu hoch

Reitstock verschiebt sich

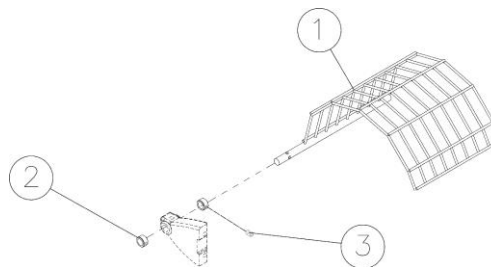
*Klemmexzenter falsch eingestellt-
Mutter nachstellen.

*Bett und Reitstock Kontaktflächen fettig oder ölig-
Reitstock abnehmen und Flächen reinigen

*Mitlaufkörner Druck zu groß-
Reitstock nach rechts gegen den Anschlag (N, Fig 9) stellen.
Den Spindelstock auf Position bringen, dann Mitlaufkörner-
Druck geben.



Artikel Nummer 719002
Gitterschutz



Artikel Nummer 708331
Mitlaufkörnerspitze MK2

Artikel Nummer 708343K
Bohrfutter 13 mm, mit Aufnahmedorn MK-2

Artikel Nummer 709911
Aufspanscheibe 75mm, M33x3,5

Artikel Nummer 709942
4-Zack Stirnmitnehmer MK-2

Artikel Nummer 708332
Gesichtsschutzschild

Artikel Nummer 708349
Schwere Boden Handstahlauflage

10. Umweltschutz

Schützen Sie die Umwelt!

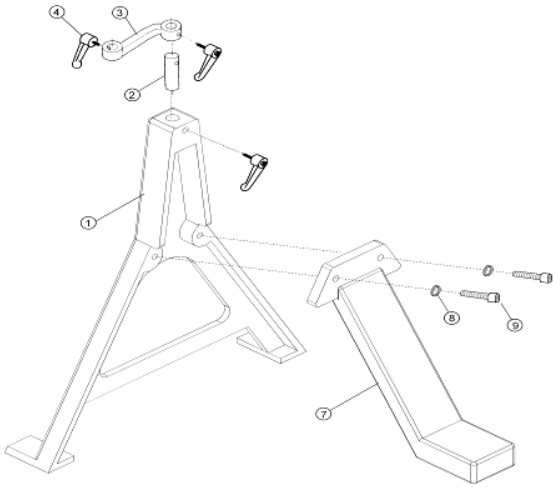
Ihr Gerät enthält mehrere unterschiedliche,
wiederverwertbare Werkstoffe.

Bitte entsorgen Sie es nur an einer spezialisierten
Entsorgungsstelle.

11. Lieferbares Zubehör

Artikel Nummer 719401

Bettverlängerung 508mm im Set mit Handstahl-
Schaftverlängerung



Werkzeuge und Spannmittel siehe JET-Preisliste.

FR - FRANCAIS

Mode d'emploi

Cher client,

Nous vous remercions de la confiance que vous nous portez avec l'achat de votre nouvelle machine JET. Ce manuel a été préparé pour l'opérateur du **tour à bois JET JWL-1640EVS**. Son but, mis à part le fonctionnement de la machine, est de contribuer à la sécurité par l'application des procédés corrects d'utilisation et de maintenance. Avant de mettre l'appareil en marche, lire les consignes de sécurité et de maintenance dans leur intégralité. Pour obtenir une longévité et fiabilité maximales de votre tour à bois, et pour contribuer à l'usage sûr de la machine, veuillez lire attentivement ce mode d'emploi et en suivre les instructions.

Table des Matières

1. Déclaration de conformité

2. Prestations de garantie

3. Sécurité

Utilisation conforme
Consignes de sécurité
Risques

4. Spécifications

Description de la machine
Données techniques
Emission de bruit
Contenu de la livraison

5. Transport et montage

Transport
Montage
Raccordement au réseau électrique
Raccordement collecteur de poussières
Mise en exploitation

6. Fonctionnement de la machine

Position correcte de travail
Choix des outils
Choix de la vitesse de rotation
Tournage entre les pointes
Tournage de bols et d'assiettes
Poncer et imprégner

7. Réglages

Changement des vitesses
Blocage de la broche
Pivotement poupée fixe
Division de l'arbre
Montage du moyen de tension
Réglage du support-outil
Réglage contre-poupée

8. Entretien et inspection

Réglage de fixation
Graissage de l'entraînement de la courroie
Changement de courroie et de palier

9. Détecteur de pannes

10. Protection de l'environnement

11. Accessoires

1. Déclaration de conformité

Par le présent et sous notre responsabilité exclusive, nous déclarons que ce produit satisfait aux normes conformément aux lignes directrices indiquées page 2.

2. Prestations de garantie

Le vendeur garantit que le produit livré est exempt de défauts de matériel et de fabrication. La présente garantie ne s'applique pas aux défauts résultant d'une utilisation incorrecte directe ou indirecte, de l'inattention, d'un accident, d'une réparation, d'une maintenance ou d'un nettoyage insuffisant, ou encore de l'usure normale.

Il est possible de faire valoir des prétentions en garantie dans les 12 mois suivant la date de la vente (date de la facture). Toute autre prétention est exclue.

La présente garantie comprend toutes les obligations de garantie incombant au vendeur et remplace toutes les déclarations et conventions antérieures en termes de garanties.

Le délai de garantie s'applique pour une durée d'exploitation de huit heures par jour. Au-delà, le délai de garantie diminue proportionnellement au dépassement, mais pas en deçà de trois mois.

Le renvoi d'une marchandise faisant l'objet d'une réclamation requiert l'accord préalable exprès du vendeur et s'effectue aux frais et aux risques de l'acheteur.

Les prestations de garantie détaillées figurent dans les Conditions générales (CG). Ces dernières sont disponibles sur www.jettools.com ou peuvent être envoyées par la poste sur demande.

Le vendeur se réserve le droit de modifier à tout moment le produit et les accessoires.

3. Sécurité

3.1 Utilisation conforme

Ce tour à bois convient au tournage du bois et des dérivés du bois.

Le tournage d'autres matériaux est interdit et ne peut être effectué que dans des cas spéciaux et après accord du fabricant de la machine.

La pièce doit pouvoir être posée et serrée sans problème.

L'utilisation conforme implique le strict respect des instructions de service et de maintenance indiquées dans ce manuel.

La machine doit être exclusivement utilisée par des personnes familiarisées avec le fonctionnement, la maintenance et la remise en état, et qui sont informées des dangers correspondants.

L'âge minimum requis par la loi est à respecter.

Toutes les directives relatives à la prévention des accidents ainsi que les consignes de sécurité doivent être respectées scrupuleusement.

En cas d'utilisation non-conforme de la machine, le fabricant décline toute responsabilité qui est, en tel cas, rejetée exclusivement sur l'utilisateur.

3.2 Consignes de sécurité

L'utilisation non-conforme d'un tour à bois peut être très dangereuse.



C'est pourquoi vous devez lire attentivement ce mode d'emploi avant de monter ou d'utiliser votre appareil.



Conservé à proximité de la machine tous les documents fournis avec l'outillage (dans une pochette en plastique, à l'abri de la poussière, de l'huile et de l'humidité) et veiller à joindre cette documentation si vous cédez l'appareil.

Ne pas effectuer de modifications à la machine. Utiliser les accessoires recommandés, des accessoires incorrects peuvent être dangereux.

Contrôler chaque jour, avant d'utiliser la machine, les dispositifs de protection et le fonctionnement impeccable.

En cas de défauts à la machine ou aux dispositifs de protection avertir les personnes compétentes et ne pas utiliser la machine. Déconnecter la machine du réseau.

Avant de mettre la machine en marche, retirer cravate, bagues, montre ou autres bijoux et retrousser les manches jusqu'aux coudes.

Enlever tous vêtements flottants et nouer les cheveux longs.

Porter des chaussures de sécurité, surtout pas de tenue de loisirs ou de sandales.

Porter un équipement de sécurité personnel pour travailler à la machine.

- des lunettes protectrices,
- une protection acoustique
- une masque anti poussières.



Ne pas porter de gants.



Placer la machine de sorte à laisser un espace suffisant pour la manœuvre et le guidage des pièces à usiner.

Veiller à un éclairage suffisant.

Placer la machine sur une surface stable et plat.

S'assurer que le câble d'alimentation ne gêne pas le travail ni ne risque de faire trébucher l'opérateur.

Conservé le sol autour de la machine propre, sans déchets, huile ou graisse.

Prêter une grande attention à votre travail et rester concentré.

Eviter toute position corporelle anormale.

Veiller à une position stable et garder un bon équilibre à tout moment.

Ne pas travailler sous l'influence de drogues, d'alcool ou de médicaments.



Ne jamais mettre la main dans la machine pendant le travail.



Eloigner de la machine toutes personnes incompetentes surtout les enfants.

Ne jamais laisser la machine en marche sans surveillance. Arrêter la machine avant de quitter la zone de travail.

Ne pas mettre la machine à proximité de liquides ou de gaz inflammables.

Tenir compte des possibilités de prévention et de lutte d'incendie, par ex. lieu et utilisation des extincteurs.

Préserver la machine de l'humidité et ne jamais l'exposer à la pluie.

Utiliser un collecteur de poussières afin d'éviter une production de poussières trop élevée.

La poussière de bois est explosive et peut être nocive pour la santé.

Les poussières de certains bois exotiques et de bois durs, tels que le hêtre et le chêne sont classées comme étant cancérigènes.

Retirer les clous et autres corps étrangers de la pièce avant de débiter l'usinage.

Bien tenir et mener avec les deux mains l'outil de tournage pendant le travail.

Travailler seulement avec des outils bien aiguisés.

N'usiner que des pièces qui se peuvent bien être serrés dans la machine. Toujours vérifier cela avant de la mettre en route.

Percer le centre des deux côtés de la pièce avant de la serrer entre les contre-pointes.

Ne travailler les pièces grandes et déséquilibrées qu'à une vitesse lente.

Pour les travaux de ponçage, retirer le support

Ne jamais utiliser de pièces fendues.

Ne travailler que des pièces homogènes.
Vérifier soigneusement que la pièce est exempte de fissures, de branches lâches ou d'autres défauts qui pourraient présenter un danger.

Eloigner la clé de serrage ou les goupilles avant de mettre la machine en marche.

Toujours fermer la protection de la courroie.

Se tenir aux spécifications concernant la dimension maximale ou minimale de la pièce à usiner.

Après chaque procédure de fixation, tourner la pièce à la main et contrôler la fixation et la rotation impeccables.
Démarrer la machine avec la plus petite vitesse.

Ne pas enlever les copeaux et les pièces usinées avant que la machine ne soit à l'arrêt.

Ne jamais freiner une pièce à la main.

Manier le blocage de l'arbre seulement quand celui-ci ne bouge plus.

Ne jamais prendre les mesures d'une pièce en rotation.

Ne pas se mettre sur la machine.

Ne pas entraver la circulation naturelle de l'air au convertisseur de fréquence (ne pas couvrir la toile de refroidissement).

Tous les travaux de branchement et de réparation sur l'installation électrique doivent être exécutés uniquement par un électricien qualifié.



(Attention : Avant de commencer des travaux sur le convertisseur de fréquence, attendre au moins 5 min pour la décharge du condensateur du circuit électrique intermédiaire).

Remplacer immédiatement tout câble endommagé ou usé.

Faire tous les travaux de réglage ou de maintenance seulement après avoir débranché la machine du réseau.



3.3 Risques

Même en respectant les directives et les consignes de sécurité les risques suivants existent:

Risque de blessures par la pièce en rotation.

Les pièces non homogènes peuvent exploser en raison de la force centrifuge.

N'utiliser que des bois choisis sans défauts.

Des pièces déséquilibrées cachent un risque de blessures.

Danger de blessures par un travail incertain, un support monté inexactement et un outil de tournage défectueux ou usé.

Danger d'éjection. L'outil se fait accrocher par la pièce en rotation et est éjecté contre l'utilisateur.

Danger de pièces éjectées.

Risque de nuisances par poussières de bois, copeaux et bruit.

Porter des équipements de sécurité personnels tels que lunettes, cache-visage pour travailler à la machine.

Utiliser un collecteur de poussières!

Danger par câble électrique endommagé, usé ou mal branché.

4. Spécifications

4.1 Description de la machine

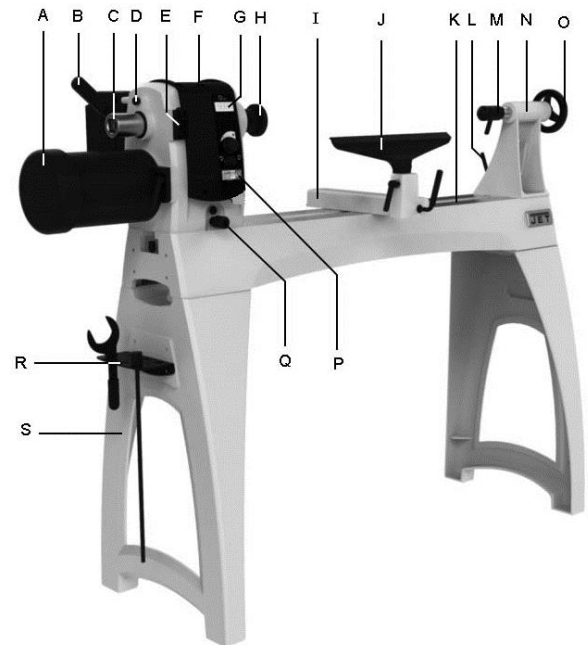


Fig 1

- A Moteur
- B Blocage de pivotement de la poupée fix
- C Volant de la broche
- D Dispositif diviseur de la broche
- E Blocage de la broche
- F Poupée fix
- G Compte-tours
- H Plateau circulaire 75mm
- I Base du support d'outils
- J Support d'outil 350mm
- K Bâti de la machine
- L Levier de blocage de la contre-poupée
- M Contrepointe tournante
- N Contre-poupée
- O Volant de la contre-poupée
- P Poste de commande
- Q Index de pivotement de la poupée fixe
- R Porte outils
- S Pieds de machine en fonte grise

4.2 Indications techniques

Diamètre de tour au-dessus de la feuille	418 mm
Ecartement des pointes	990 & 940 mm
Niveaux de courroie	2
Plage de vitesse L	40-1200 T/min
Plage de vitesse H	100-3200 T/min
Nez de broche	M33x3.5
Cône de broche	CM2
Alésage broche	9,5 mm
Division de l'arbre	36 x 10°
Poupée-fixe pivotante	0°, 30°, 60°, 90°, 120°, 180°, 270°
Contre-poupée en cône	CM2
Fourreau de contre-poupée avec perçage	9 mm
Perçage à la broche de contre-poupée	108 mm
Hauteur support	1130 mm

Dimensions de la machine	
(LxIxH)	1854x508x1334 mm
Poids net	170 kg
Voltage	
	1~230V, PE, 50Hz
Puissance	
	1,1 kW (1,5 CV) S1
Courant électrique	
	8 A
Raccordement (H07RN-F):	
	3x1,5mm ²
Fusible du secteur électrique	
	16A
Classe de protection électrique	
	I

4.3 Emission de bruit

Niveau de pression sonore (selon EN ISO 11202):

Marche à vide	LpA 72,5 dB(A)
Usinage	LpA 78,4 dB(A)

Les indications données sont des niveaux de bruit et ne sont pas forcément les niveaux pour un travail sûr.

Ainsi l'utilisateur doit estimer les dangers et les risques possibles.

4.4 Contenu de la livraison

Bâti de machine avec support d'outils et contre-pointe - A

Support d'outil 350 mm – B

Pieds de machine en fonte grise – C

Pointe d'entraînement r – D

Contre-pointe tournante – E

Contre-pointe tournante avec cône – F

Goupille d'arrêt pour contre-pointe tournante - G

Ejecteur – H

Plateau circulaire 75mm – J (monté sur le tour)

Console pour support d'outils – K

Clé à fourche pour plaque de fixation – L

Verins de niveau – M

Porte outils – N

8x Vis à six pans creux, 5/16"x1-1/4" – HP1*

8x Rondelles élastiques ondulées, 5/16" – HP2*

8x Rondelles, 5/16" – HP3*

2x Vis à six pans creux, 3/8x1-1/4" – HP4

2x Rondelles élastiques ondulées, 3/8" – HP5

Mode d'emploi

Liste pièces de rechange`

* inclus dans le kit de montage JW1440-HP1

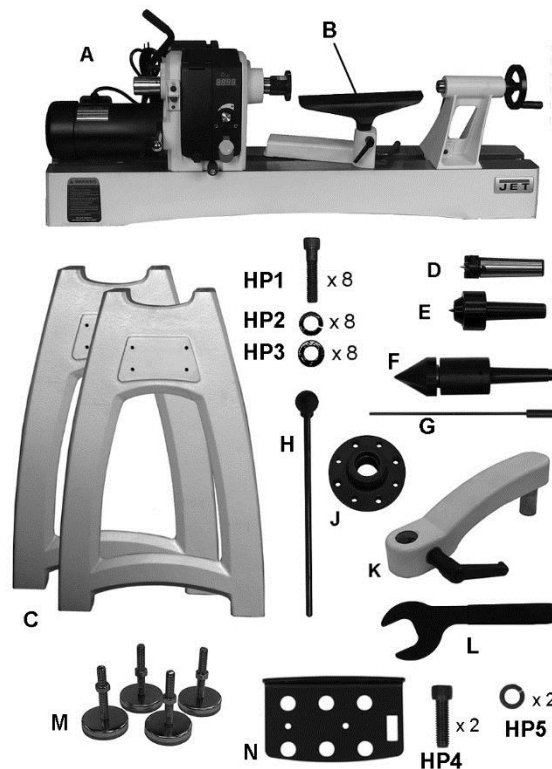


Fig 2

5. Transport et mise en exploitation

5.1. Transport

Effectuer le montage de la machine dans un local fermé ou un atelier respectant les conditions de menuiserie.

Si besoin, la machine peut être vissée sur le sol.

Pour des raisons techniques d'emballage la machine n'est pas complètement montée.

5.2 Montage

Avertir immédiatement votre vendeur si vous constatez des pièces endommagées par le transport et ne pas monter la machine.

Eliminer l'emballage en respectant l'environnement.

Enlever la protection antirouille avec un dissolvant.

Montage des pieds en fonte :

Retirer la poupée fixe, la contre poupée et le support.

Retirer la cheville de butée (N, Fig 3).



Fig 3

ATTENTION : Le bâti de la machine est lourd! Soyez prudent et demandez de l'aide.

Retourner le bâti avec précaution sur un tapis ou un carton qui protégera les rainures contre toute rayure.

Fixer les pieds de la machine avec 8 vis à six pans creux, des rondelles élastiques ondulées et des rondelles. Bloquer les vis avec une clé pour vis à six pans creux de 6 mm (Fig 4).

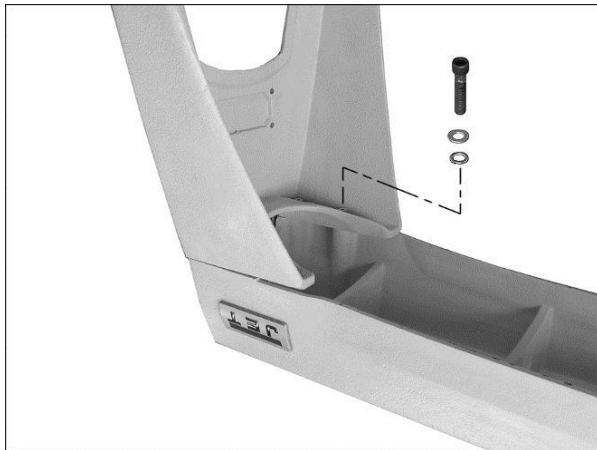


Fig 4

Monter les 4 vérins de niveau et bloquer les écrous par contre-écrous contre les pieds en fonte. Les vérins de niveau pourront être réglés plus tard (Fig 5)



Fig 5

Demander de l'aide et remettre la machine sur pied.

Régler les vérins de niveau de façon à ce que la machine soit stable sur le sol. Bloquer les écrous par contre-écrous.

Monter la poupée fixe, la contre-poupée et le support (Fig 6).



Fig 6

Monter la cheville de butée (N, Fig 3).

Plateau :

Si vous le désirez, vous pouvez monter un plateau inférieur entre les pieds de la machine (voir Fig 7).

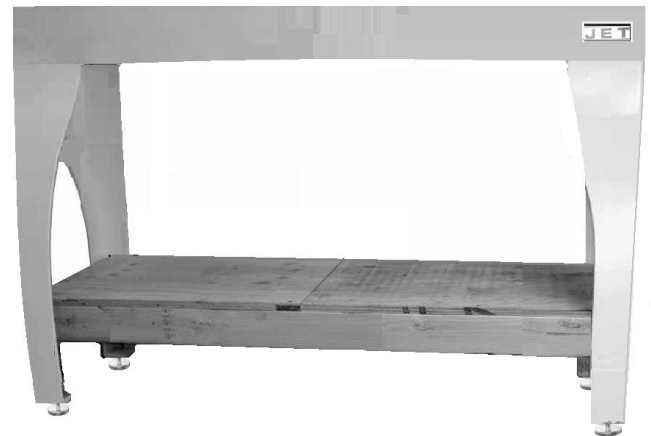


Fig 7

Montage de la rallonge du bâti de 508mm (accessoire JET # 719401)

La rallonge peut être fixée au bâti ou aux pieds en fonte.

Montage sur les pieds :

Pour travailler de plus grosses pièces en utilisant le support d'outils (Fig 8).



Fig 8

Montage sur le bâti de la machine :

Pour rallonger la distance entre les pointes

Demander de l'aide.

Monter la rallonge sur le bâti avec 4 vis à têtes cylindriques et des rondelles (P, Fig 9).

Tout d'abord ne visser les vis que légèrement.

Déplacer la cheville de butée du bâti sur la rallonge. (N).

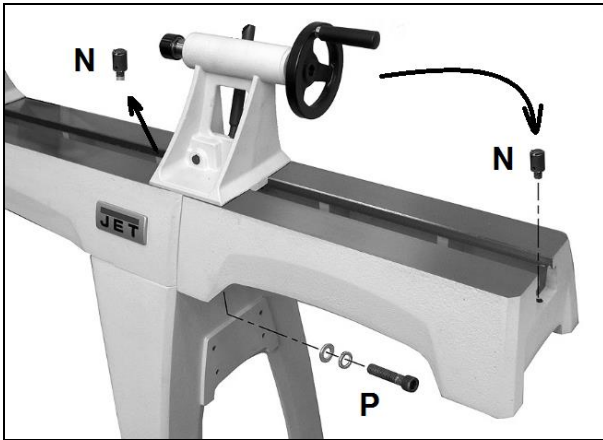


Fig 9

Les surfaces de guidage doivent être bien alignées afin de permettre un mouvement en douceur de la contre-poupée.

Déplacer la contre-poupée sur le raccord afin que la fixation de la contre-pointe soit positionnée sur les deux parties.

Bloquer la contre-poupée, ceci fixera les lits en alignement.

Bloquer alors les écrous (P).

Montage du protège pièce (accessoire JET # 719002) :

Desserrer la tige fileté (B, Fig 10) et retirer la bague de réglage.

Soulever légèrement la goupille d'index (A) et enfoncer le protège pièce dans la fixation.

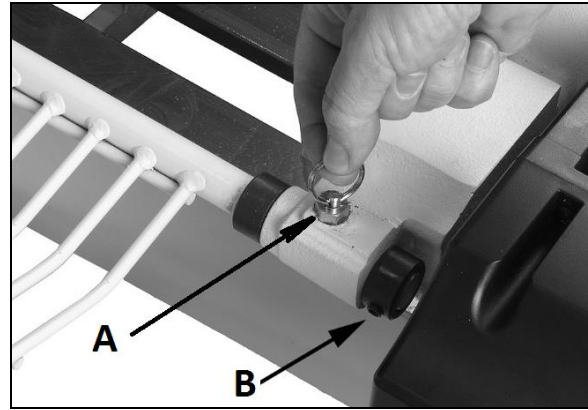


Fig 10

Bloquer l'anneau de serrage sur l'axe avec le vis sans tête (B).

La goupille d'index peut s'encliquer dans deux positions: la position de travail et d'ouverture (Fig 11).

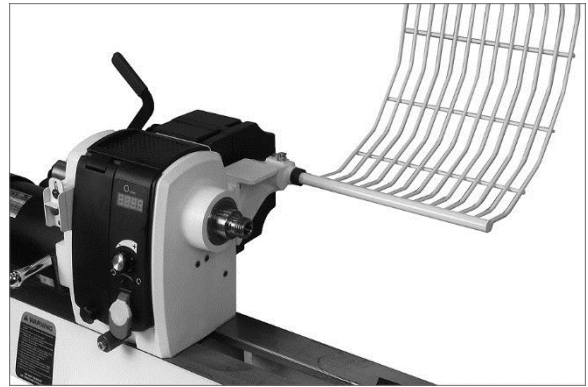


Fig 11

5.3 Raccordement au réseau électrique

Le raccordement ainsi que les rallonges utilisées doivent correspondre aux instructions. Le voltage et la fréquence doivent être conformes aux données inscrites sur la machine.

Le fusible de secteur électrique doit avoir 16A.

Utiliser pour le raccordement des câbles H07RN-F.

Tous travaux de branchement et de réparation sur l'installation électrique doivent être exécutés uniquement par un électricien qualifié.

5.4 Raccordement au collecteur de poussières

Utilisez un système de récupération des poussières et de filtration de l'air adapté pour éviter une concentration importante de poussières dans l'air

5.5 Mise en exploitation

Interrupteur marche/arrêt

Mettre la machine en route avec le bouton "I" vert (A, Fig 12).

La broche démarre lentement.

La vitesse de rotation choisie est atteinte après 5 secondes environ.

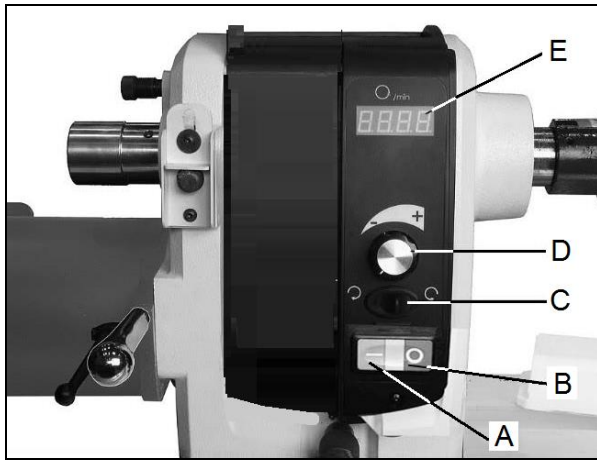


Fig 12

Arrêter la machine avec le bouton "0"rouge (B).
Attendre jusqu'à ce que la pièce d'œuvre ne tourne plus.

Choix de la vitesse de rotation :

La vitesse de rotation souhaitée se règle par la poignée tournante (D).

L'écran numérique (E) indique le nombre de tours de la broche en T/min.

Bouton de marche avant/arrière :

Pour inverser le sens de rotation de la broche, utiliser le bouton (C).

Il est possible d'inverser le sens de rotation de la broche sans arrêter la machine au préalable.

Attention :

Avant d'inverser le sens de rotation de la broche, s'assurer que l'accessoire de serrage est bien assuré contre le déroulement. Resserrer les 2 vis sans tête.

Avant de mettre la machine en marche, positionner chaque fois la poignée tournante (D) sur la position la plus lente. Ne jamais mettre la machine en marche avec la vitesse la plus élevée.

Le convertisseur de fréquence ne demande aucune programmation, il est réglé d'origine.
Ne faire aucune modification.

2 Plages de vitesses de rotation :

sont disponibles par déplacement de la courroie (Fig 14).

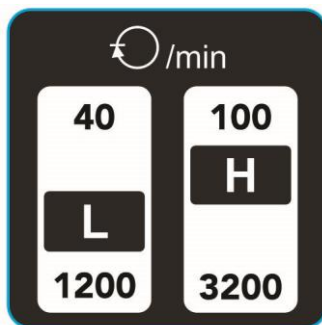


Fig 14

Pour les vitesses de rotation élevées H (100-3200 T/min) et
Pour les moments de couple élevés L (40-1200 T/min).

6. Fonctionnement de la machine

6.1 Position correcte de travail

Toujours mener l'outil de tournage posé sur le support.
Garder les doigts fermés et s'appuyer la main sur le support (Fig 15-1 et 15-2).

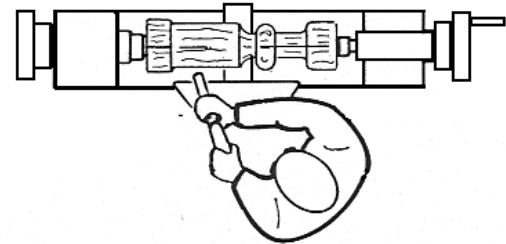


Fig 15-1

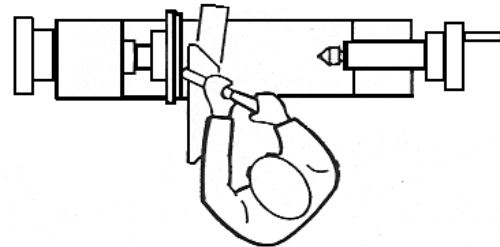


Fig 15-2

6.2 Choix des outils

Le succès du tournage ne dépend pas des grandes vitesses, mais de l'utilisation conforme des outils de tournage.

Une condition pour un tournage correct est un outil impeccable et aiguisé.

Les outils principaux :

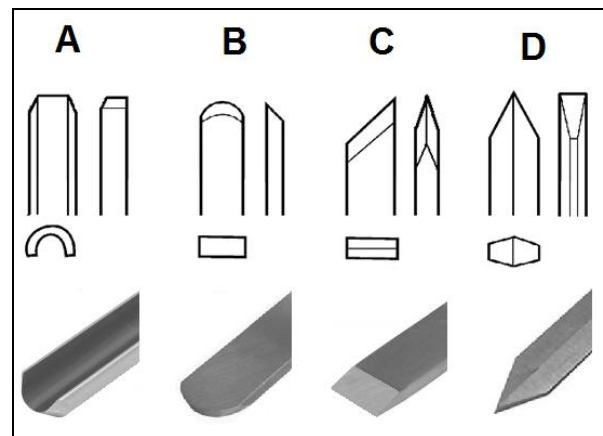


Fig 16

La gouge (A, Fig. 16). Outil le plus important, il sert au dégrossissage, au creusage des bols et assiettes et au tournage de rétrécissements (Fig.17).

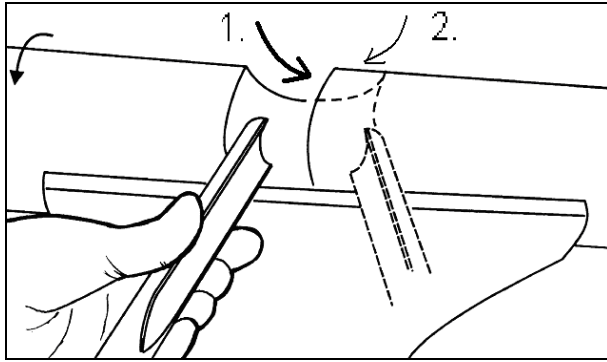


Fig 17

Racloir (B, Fig. 16). Sert au calibrage intérieur et extérieur et à l'élimination des stries d'usage.

Biseau (C, Fig. 16). Sert au tournage de rainures en V et au calibrage extérieur. Tenir le tranchant parallèlement au sens de la coupe (Fig. 18).

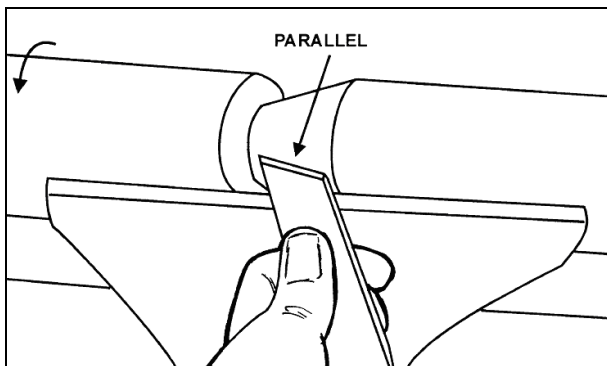


Fig 18

Piquet (D, Fig. 16). Sert au travail direct dans la pièce d'œuvre, par ex. pour détalonner et pour délimiter. Il peut aussi servir de racloir.

6.3 Choix de la vitesse de rotation

Ne travailler les grosses pièces et les pièces non-équilibrées qu'avec des vitesses lentes.

En cas de vibrations arrêter la machine.

Respecter les vitesses conseillées.

Vitesses conseillées

Pièce Ø mm	Rifler T/min	Travail général T/min	Dégrossir T/min
< 50	1500	3200	3200
50-100	700	1600	2500
100-150	500	1100	1600
150-200	370	800	1200
200-250	300	650	1000
250-300	250	500	800
300-350	220	450	700
350-400	180	400	600

6.4 Tournage entre les pointes

Marquer et poinçonner les 2 extrémités de la pièce.

Pour les bois durs, il se peut que des entailles du côté de la poupée fixe soient nécessaires (voir Fig 16).

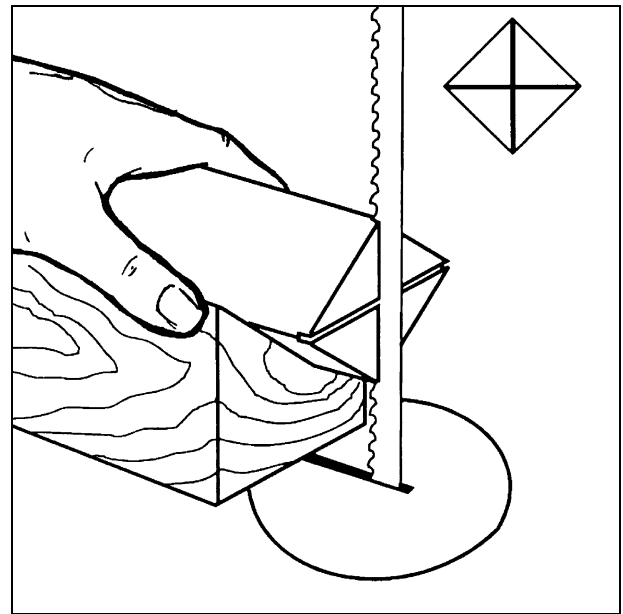


Fig 19

Introduire le **pointe d'entraînement** dans le cône de broche, et retirer avec l'éjecteur (Fig 20).

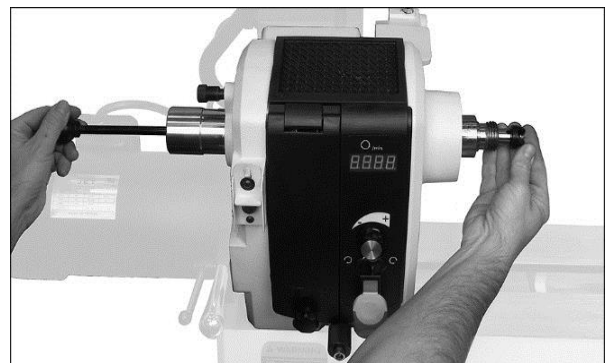


Fig 20

La **contrepointe tournante** est introduite dans la broche de contre-poupée et on peut la retirer en tournant le volant dans le sens contraire des aiguilles d'une montre (Fig 21).

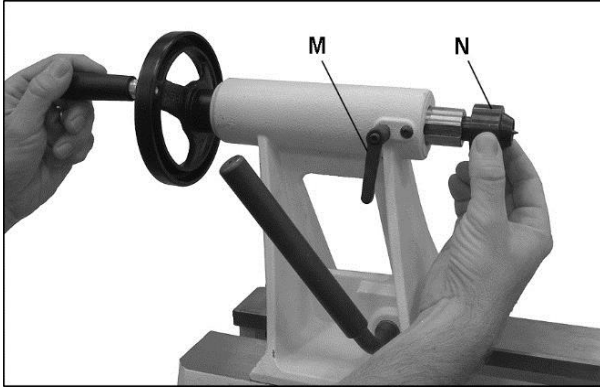


Fig 21

Pour dévisser la pointe conique (R, Fig 22) il faut que la broche soit fixée à la goupille transversale (S).

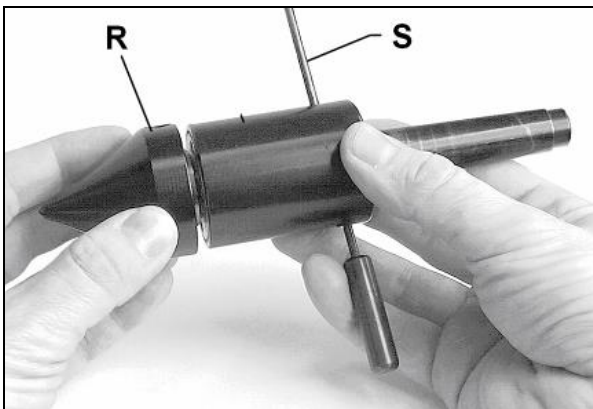


Fig 22

Pour le forage de trous profonds on peut enlever la pointe de centrage.

Serrer la pièce centrée entre la pointe de centrage et la contre-pointe tournante de la contre-poupée (Fig 23).



Fig 23

Tourner le volant de la contre-poupée jusqu'à ce que la contre-pointe tournante soit bien introduite dans votre pièce. Retourner le volant en sens inverse d'un quart de tour et serrer le fourreau de contre-poupée (M, Fig 21).

Tourner la pièce à la main et contrôler la fixation et la rotation impeccable.

Positionnez le support-outil aussi près que possible de la pièce et fixer la position.

Pour un travail entre les pointes ajuster la hauteur du support env. 3 mm au-dessus de la hauteur des pointes (Fig. 24, 25 et 26).

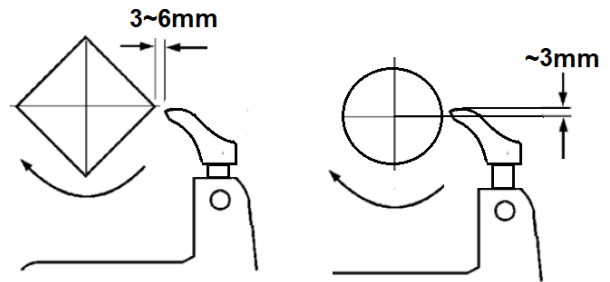


Fig 24



Fig 25



Fig 26

6.5 Tournage de bols et d'assiettes

Tourner le contour extérieur entre les pointes.

Le tournage d'une petite cheville (T, Fig. 27) du même diamètre intérieur que le plateau circulaire facilite le positionnement central de la pièce d'œuvre lors de la 2e fixation.

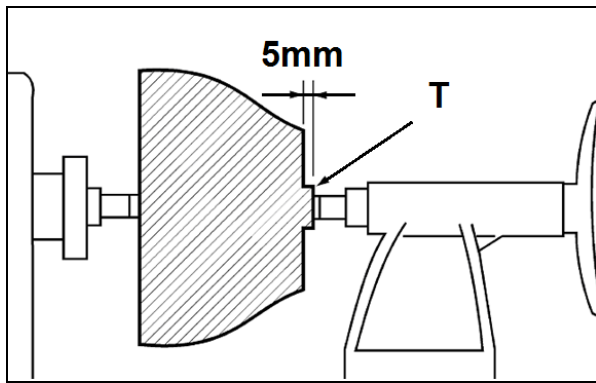


Fig 27

Fixer la pièce à usiner (A, Fig 28) avec 4 vis à bois (C) par derrière directement sur le plateau circulaire.
Bien choisir les vis. Des vis trop longues débordent dans la zone de travail et des vis trop courtes ne garantissent pas une bonne fixation.

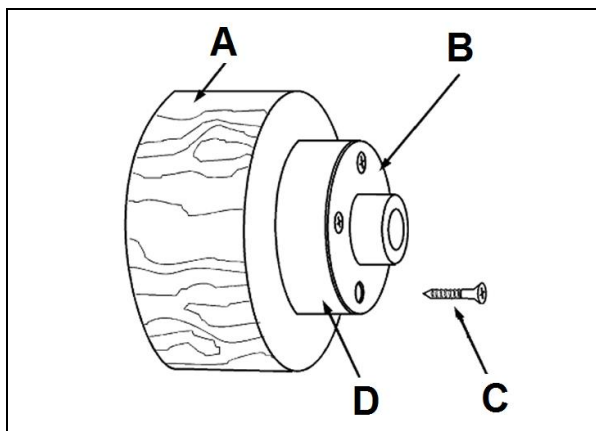


Fig 28

Si la fixation par vis n'est pas possible, la pièce peut également être collée sur un support circulaire (D) pouvant être vissé sur le plateau circulaire.

En collant du papier entre les deux, vous évitez d'endommager la pièce en la retirant après.

Visser le plateau circulaire, sur lequel la pièce est déjà fixée, sur le nez de broche et serrer à la main.

Tourner la pièce à la main et contrôler la fixation et la rotation impeccable.

Positionnez le support-outil aussi près que possible de la pièce et fixer la position.

Pour un travail avec le plateau circulaire, ajuster la hauteur du support légèrement en dessous de la hauteur des pointes.

Attention: Ne travailler avec l'outil de tournage que sur la partie gauche du centre de rotation.

Conduire la gouge avec la main gauche pendant que la main droite oscille vers le corps (Fig 29).

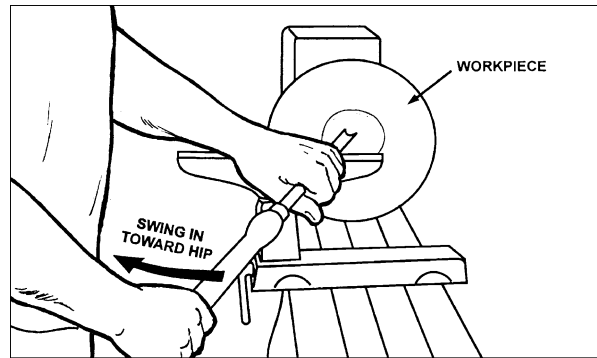


Fig 29

Commencer l'enlèvement des copeaux sur le bord et conduire la gouge vers le fond du bol en un mouvement aussi continu que possible.

Déplacer le support vers l'extérieur et terminer le tournage du fond du bol.

6.6 Poncer et imprégner

Retirer le support.

Commencer le travail avec du grain 120 puis utiliser du grain de plus en plus fin.

Utiliser de préférence des outils de ponçage mécaniques afin d'éviter des rainures concentriques.

Arrêter le travail avec le grain 220

Imprégner une 1^{ère} fois et laisser sécher.

Terminer le ponçage avec les grains 320 ou 400.

Séparer peu à peu la pièce de la cheville avec un ciseau (pour les diamètres inférieurs à 80 mm, utiliser une petite scie à main).

Imprégner une 2^e fois et laisser sécher.

Terminer le polissage de la surface.

7. Réglages

Attention

Faire tous les travaux de maintenance ou de réglage après avoir débranché la machine du réseau.

7.1 Changement des vitesses

Déconnecter la machine du réseau !

Desserrer la vis de sécurité et ouvrir le dispositif de protection de la courroie.

Desserrer la fixation de la suspension du moteur (A, Fig 30).

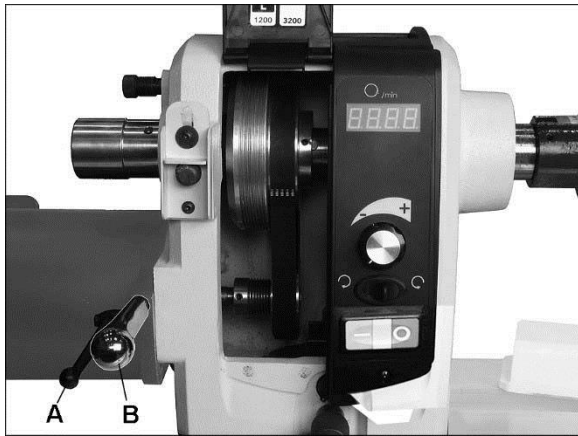


Fig 30

Détendre la courroie en poly-V à l'aide du levier de tension (B)

Changer la position de la courroie selon la plage de vitesses de rotation souhaitée (Fig 31).

Veiller à la position correcte de la courroie dans la rainure en V de la poulie.

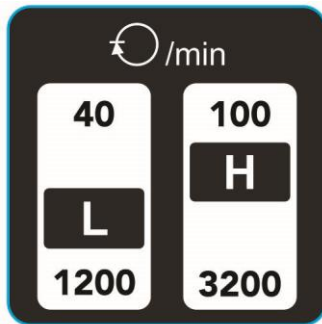


Fig 31

Remarque :

La plage de vitesses de rotation élevée H (100-3200) donne les vitesses maximales, la plage de vitesses de rotation basse L (40-1200) donne les moments de couple maximaux

Tendre la courroie avec le levier de tension et serrer la fixation de la suspension du moteur (le poids du moteur ajuste la tension de la courroie).

Refermer le dispositif de protection de la courroie et le bloquer avec la vis de sécurité.

Attention :

Le convertisseur de fréquence ne demande aucune programmation, il est réglé d'origine. Ne faire aucune modification aux touches et aux boutons.

Interrupteur marche/arrêt :

Mettre la machine en route avec le bouton "I" vert (A, Fig 32).

La broche démarre lentement.

La vitesse de rotation choisie est atteinte après 5 secondes environ.

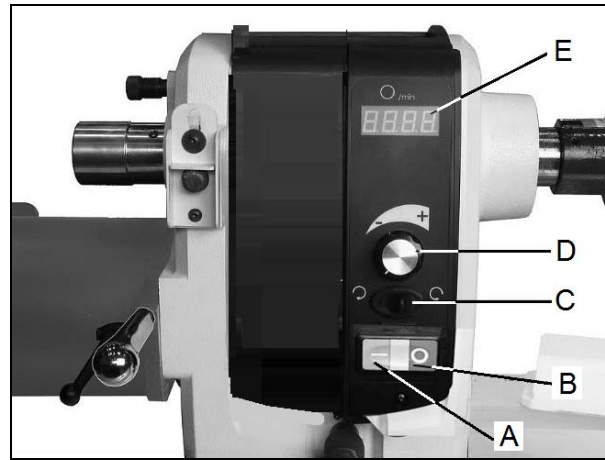


Fig 32

Arrêter la machine avec le bouton "0" rouge (B). Attendre jusqu'à ce que la pièce d'œuvre ne tourne plus.

Choix de la vitesse de rotation :

La vitesse de rotation souhaitée se règle par la poignée tournante (D).

L'écran numérique (E) indique le nombre de tours de la broche en T/min.

Bouton de marche avant/arrière :

Pour inverser le sens de rotation de la broche, utiliser le bouton (C).

Il est possible d'inverser le sens de rotation de la broche sans arrêter la machine au préalable.

Attention:

Avant d'inverser le sens de rotation de la broche, s'assurer que l'accessoire de serrage est bien assuré contre le déroulement. Resserrer les 2 vis sans tête.

Avant de mettre la machine en marche, positionner chaque fois la poignée tournante (D) sur la position la plus lente. Ne jamais mettre la machine en marche avec la vitesse la plus élevée.

Le convertisseur de fréquence ne demande aucune programmation, il est réglé d'origine. Ne faire aucune modification.

7.2 Blocage de la broche

Appuyer sur la goupille (P, Fig 34) jusqu'à ce qu'elle soit enclenchée et qu'elle bloque la broche.

Pousser la languette (F) vers le bas pour maintenir le blocage.

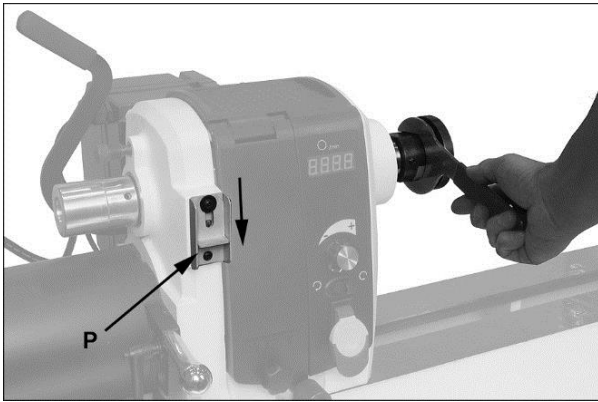


Fig 34

Attention:

Ne faire ce blocage que sur la broche à l'arrêt.

7.3 Pivotement de la poupée fixe

IMPORTANT: Débloquer d'abord le dispositif de pivotement (Fig 35) avec une clé six pans de 4 mm.

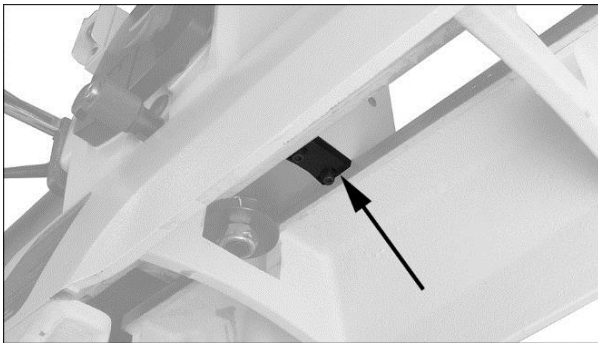


Figure 35

Pour le pivotement :

Desserrer le levier de serrage (B, Fig. 36) en le tournant dans le sens inverse des aiguilles d'une montre.

Pour le basculage, desserrer le blocage de la poupée fixe (A) et tirer le levier de serrage (B).

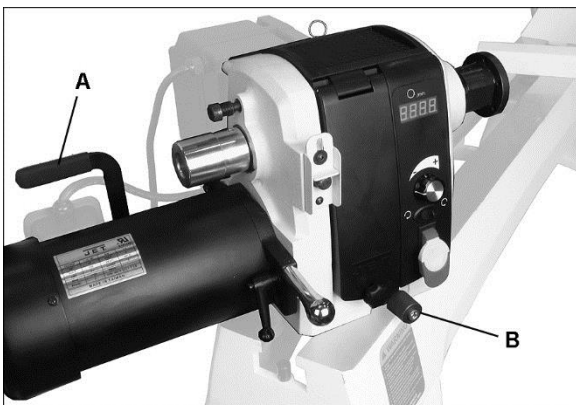


Fig 36

Pour le tournage de grosses pièces, faire pivoter la poupée à 90° et adapter la console au support.

Avertissement : N'utiliser la machine qu'après avoir fixé le dispositif de blocage de la poupée fixe et vissé le levier de serrage.

La poupée fixe peut être fixée n'importe où le long du châssis.

7.4 Division de l'arbre

La division de la broche permet d'encliqueter la broche à des distances régulières.

Dans la poulie à courroie il y a 36 perforations distantes de 10° dans lesquelles la goupille d'index s'encliquète.

Visser la goupille indicatrice dans l'orifice (L, Fig. 37) de la poupée fixe, jusqu'à ce qu'elle s'encliquète dans une perforation.

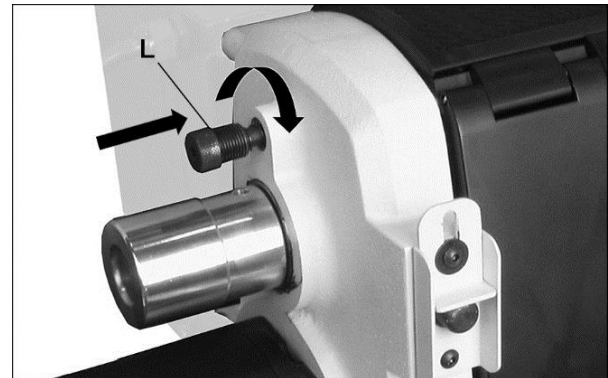


Fig 37

Remarque:

Débloquer la goupille d'index avant de mettre la machine en route.

Ne jamais appuyer sur la goupille d'index quand la broche est en rotation.

Pour bloquer la broche ne pas utiliser le dispositif diviseur. Pour cela il y a le dispositif d'arrêt de la broche qui supporte sans dommages des forces importantes.

7.5 Montage du moyen de tension

Le plateau circulaire sert au tournage des bols et des assiettes.

De nombreux trous y sont percés afin de fixer la pièce d'œuvre.

Visser le plateau circulaire sur la broche dans le sens des aiguilles d'une montre et le bloquer avec 2 vis sans tête (E, Fig 38).

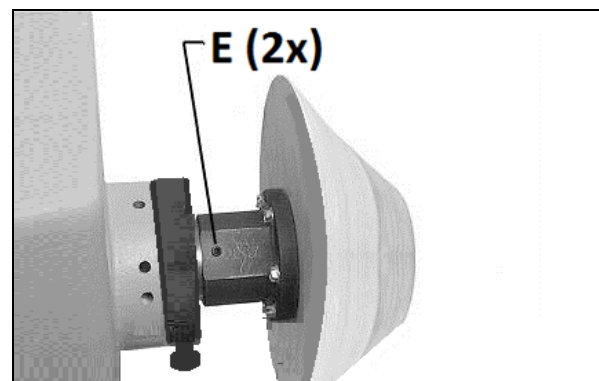


Fig 38

Démontage:

Desserrer les 2 vis sans tête avant de dévisser le plateau circulaire.

Bloquer la broche, pour cela utiliser la clé à fourche livrée avec la machine.

7.6 Réglage du support-outil

Un support d'outil de 350 mm est joint à la livraison. Il est réglable en hauteur et dans la position souhaitée.

Desserrer le levier de serrage (G, Fig 39) et positionner la base du support d'outil dans la position souhaitée. Il faut le bloquer soigneusement avant de remettre la machine en marche.

Desserrer la poignée de l'axe (H) afin de modifier la hauteur et l'angle du support d'outil. Il faut la bloquer soigneusement avant de remettre la machine en marche.

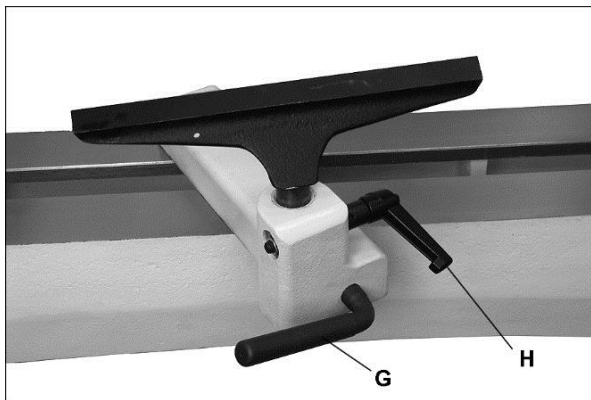


Fig 39

Console pour support d'outils :

La console (J, Fig 40) permet une plus grande portée du support d'outil. C'est tout particulièrement intéressant pour travailler avec poupée fixe pivoté.

Pour l'emboîtement de la queue positionner les manchons de serrage (K) dans un écartement suffisant.

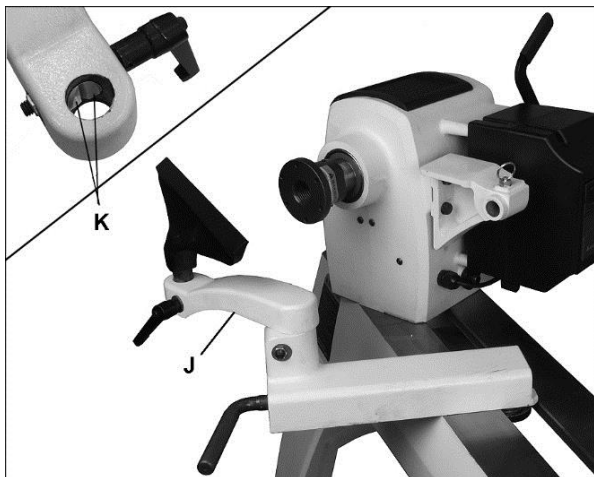


Fig 40

7.7 Réglage contre-poupée

Tourner le volant (R, Fig. 41) dans le sens des aiguilles d'une montre pour sortir le fourreau et bloquer le levier de serrage (Q).

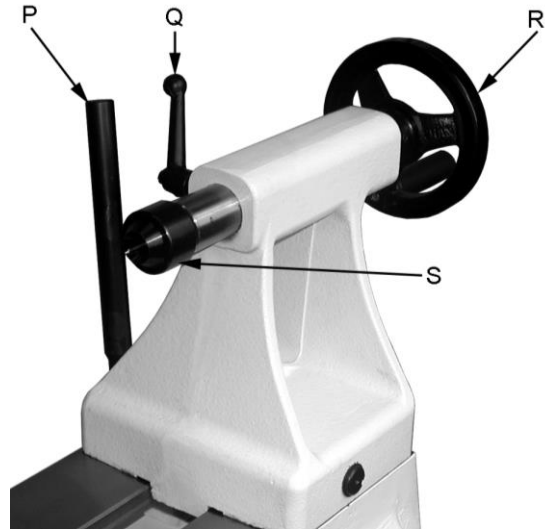


Fig. 41

La poignée (P) fixe la contre-poupée au bâti de la machine.

Le pointeau (S) peut être éjecté en tournant le volant dans le sens inverse des aiguilles d'une montre.

Pour le forage de trous profonds enlever la pointe de centrage du pointeau.

8. Entretien et inspection

Attention

Faire tous les travaux de maintenance, réglage ou nettoyage après avoir débranché la machine du réseau!

Nettoyer la machine régulièrement.

Vérifier chaque jour le fonctionnement impeccable du collecteur de poussières.

Remplacer immédiatement les dispositifs de protection endommagés ou usés.

Tous travaux de branchement et de réparation sur l'installation électrique doivent être exécutés uniquement par un électricien qualifié.

8.1 Réglage de fixation

Si un réglage ultérieur est nécessaire, retirer tout d'abord l'écrou de butée (N, Fig 3).

Repousser la poupée fixe, la contre poupée ou le support à l'extrémité du châssis et régler légèrement l'écrou (F, Fig 42).

Vérifier l'effet de serrage.

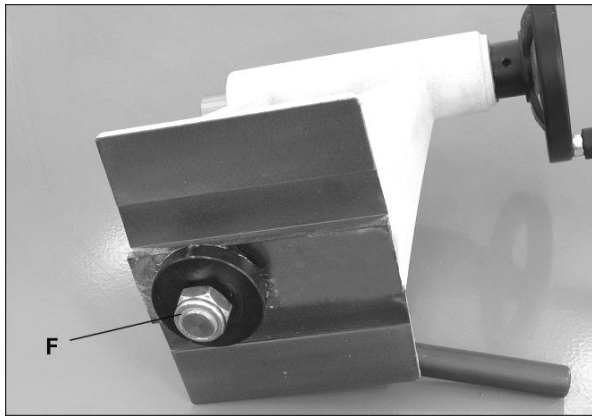


Fig 42

8.2 Changement de courroie et de palier

Les changements de courroie et de palier sont difficiles à effectuer.

Porter toute la poupée fixe dans un atelier de réparation.

Débrancher la machine du réseau!

Retirer la protection de la courroie, enlever la courroie de sa poulie

Desserrer les 2 vis sans tête (C, Fig 43) puis retirer le volant à main.

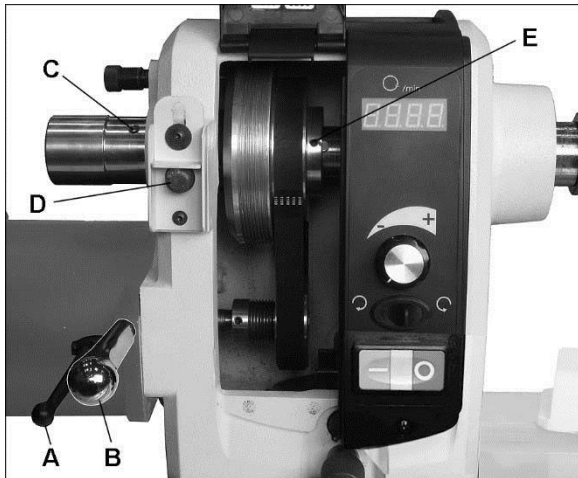


Fig 43

A l'aide d'un morceau d'aluminium ou de bois dur, pousser au marteau l'arbre en direction de la contre-poupée (utiliser un embout en matière souple afin de ne pas endommager l'arbre).

Pour changer la courroie, il n'est pas nécessaire d'enlever complètement l'arbre.

Le remontage s'effectue en sens inverse.

Mettre en place le volant à main sur le palier, puis desserrer un peu et bloquer avec les 2 vis sans tête.

Remarque pour changement de palier:

Pour retirer la poulie à courroie, il est nécessaire de desserrer les 2 vis sans tête (E).

Pour le montage, veillez à l'alignement de poulies à courroie.

9. Détecteur de pannes

Moteur ne se met pas en route

*Pas de courant-
Vérifier le voltage.

*Défaut au moteur, bouton ou câble-
Contacter un électricien qualifié.

*Le protecteur de surcharge du transformateur de fréquence a réagit.

Après une pause, remettre la machine en route en choisissant la position basse de la courroie (40-1200 T/min) pour plus de moments de couple.

Vibration violente de la machine

*La machine n'est pas sur un sol plat-
Repositionner la machine.

*La pièce n'est pas centrée

*La vitesse est trop haute

La contre-poupée se déplace

*La fixation excentrique est mal réglée-
Ajuster l'écrou.

*Les surfaces de contact bâti/contre-poupée sont graisseuses ou huileuses-
Retirer la contre-poupée et nettoyer les surfaces de contact

*La pression de la contrepointe tournante est trop importante-
Positionner la contre-poupée à droite, contre la butée (N, Fig 10).

Mettre la poupée fixe en bonne position puis établir la pression.

10. Protection de l'environnement

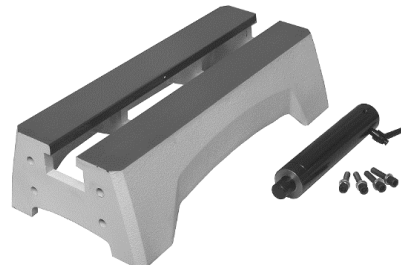
Protégez l'environnement !

Votre appareil comprend plusieurs matières premières différentes et recyclables. Pour éliminer l'appareil usagé, veuillez l'apporter dans un centre spécialisé de recyclage des appareils électriques.

11. Accessoires

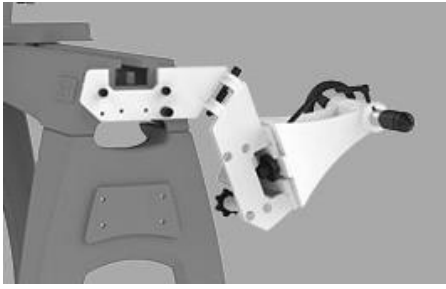
Numéro d'article 719401

Set comprenant une rallonge du bâti de 508mm et un manche de rallonge pour le support d'outil.

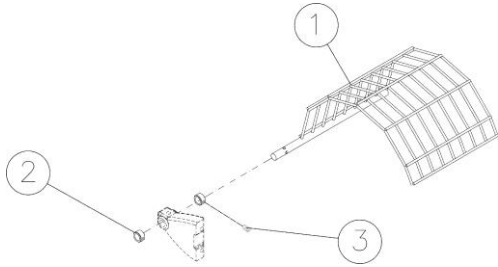


Numéro d'article 719001

Dispositif de pivotement de la contre-poupée.



Numéro d'article 719002
Protège pièce



Numéro d'article 708331
Contrepointe tournante CM2

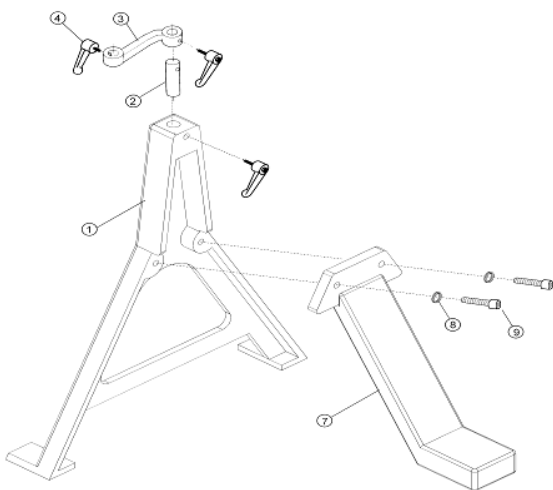
Numéro d'article 708343K
Mandrin de 13 mm, avec porte-pièce CM2

Numéro d'article 709911
Plaque de fixation 75mm, M33x3,5

Numéro d'article 709942
Pointe d'entraînement CM2

Numéro d'article 708332
Masque protecteur du visage

Numéro d'article 708349
Support d'outil sur pieds



Outils et moyens de tension voir liste de prix JET.

JET

JWL-1640EVS WOOD LATHE

**JWL-1640EVS-M...719500M...
1~ 230V, 50Hz**

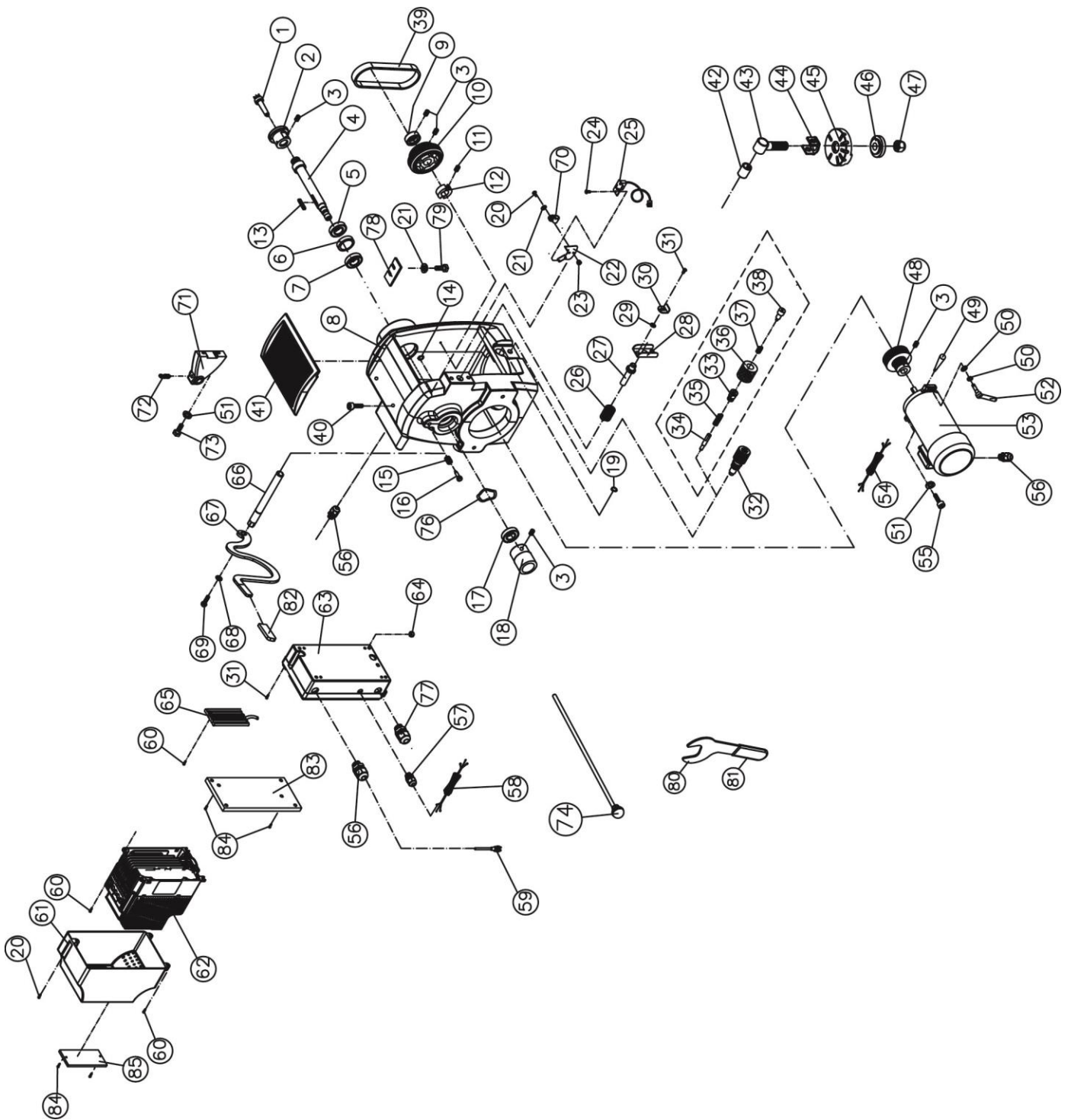
PARTS LIST

JPW (Tool) AG
Tämplerlistrasse 5
CH-8117 Fällanden
Switzerland
Phone +41 44 806 47 48
Fax +41 44 806 47 58
www.jettools.com



P-719500M 2016-09

JWL-1640EVS Headstock Assembly – Exploded View

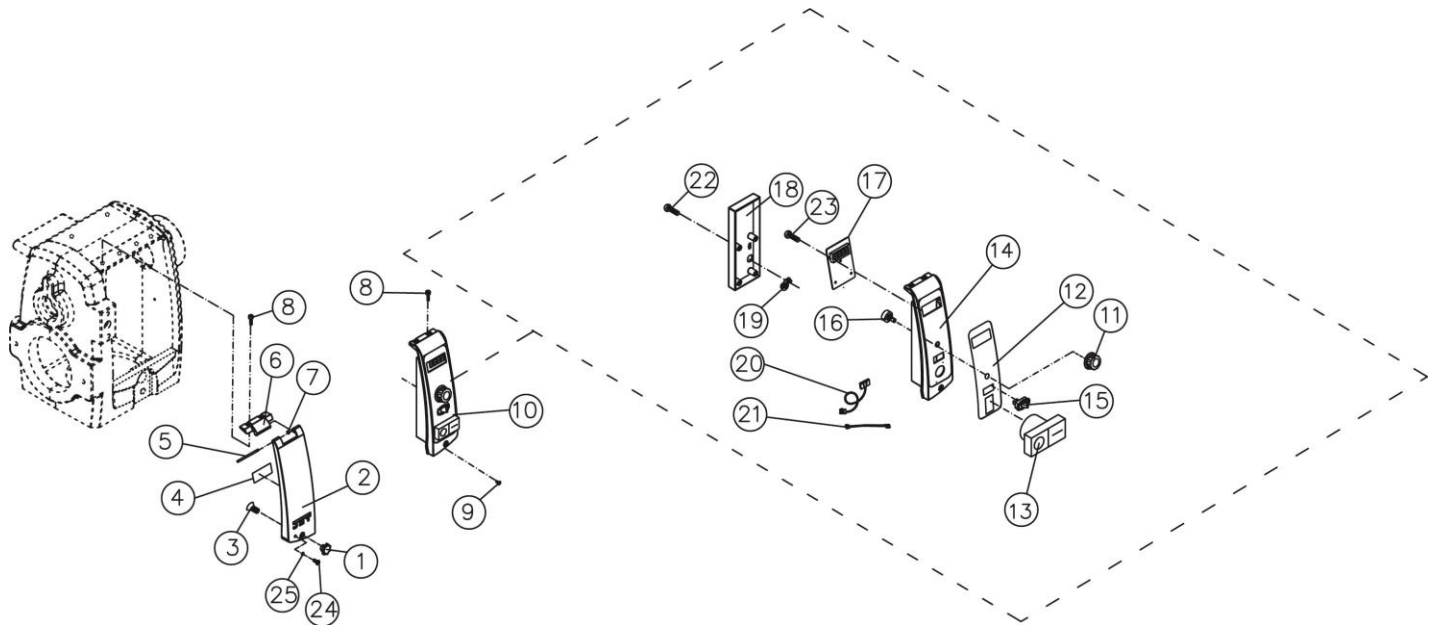


JWL-1640EVS Headstock Assembly – Parts List

Index No.	Part No.	Description	Size	Qty
1	JWL1642-102	Spur Center	MT2	1
2	6294736E	Faceplate	3"	1
3	6295796	Nylon Insert Socket Set Screw	1/4-20x3/8"	10
4	JWL1640EVS-104E	Spindle		1
5	BB-6207VV	Bearing	6207-LLB	1
6	3520B-208	Bushing		1
7	BB-6207ZZ	Bearing	6207ZZ	1
8	JWL1640EVS-108E	Headstock Casting		1
9	JWL1640EVS-109	Sensor Collar		1
10	JWL1640EVS-110	Spindle Pulley		1
11	TS-0270031	Set Screw	5/16"-18x3/8"	2
12	JWL1642-174	Locking Collar		1
13	JWL1640EVS-113	Key	8 x 8 x 80	1
14	JWL1640EVS-114	C-Ring	S-8	1
15	JWL1640EVS-115	Spring		1
16	JWL1640EVS-116	Index Pin		1
17	BB-6205ZZ	Bearing	6205ZZ	1
18	JWL1640EVS-118	Handwheel		1
19	JWL1640EVS-119	C-Ring	S-19	2
20	TS-081C052	Pan Head Screw	#10-24x3/4"	4
21	TS-069204	Flat Washer	#10	2
22	JWL1640EVS-122	Cover for Sensor		1
23	TS-0560071	Hex Nut	#10-24	3
24	TS-2283102	Pan Head Screw	M3x10	2
25	JWL1640EVS-125	Sensor for Spindle		1
26	JWL1442-116	Spring		1
27	JWL1640EVS-127	Spindle Lock Pin		1
28	JWL1442-121	Bracket		1
29	4224B-143	Resist Washer		1
30	4224B-1122E	Sliding Plate		1
31	TS-0253031	Socket Head Button Screw	#10-24x1/2"	6
32	JWL1640EVS-PPA	Pivot Pin Assembly (includes #33 thru 38)		1
33	JWL1442-176	Index Bushing		1
34	JWL1640EVS-134	Pivot Index Pin		1
35	JWL1442-175	Spring		1
36	JWL1442-173	Index Knob		1
37	JWL1442-172	Spring		1
38	JWL1440-177	Socket Head Cap Screw		1
39	JWL1640EVS-139	Belt	200J-8	1
40	JWL1640EVS-140	Socket Head Cap Screw	10#-24x1/4"	2
41	JWL1640EVS-141	Cushion		1
42	JWL1442-127	Bushing		1
43	JWL1442-128A	Bolt		1
44	JWL1442-129	Support Bracket		1
45	JWL1440-133	Index Bracket		1
46	JWL1442-154	Clamp		1
47	TS-0650081	Nylon Nut	3/4"-10	1
48	JWL1640EVS-148	Motor Pulley		1
49	4224B-165	Handle		1
50	TS-0680041	Flat Washer	3/8"	2
51	TS-0720091	Lock Washer	3/8"	3
52	6350031	Lock Handle		1
53	JWL1640EVS-153E	Motor		1
54	JWL1642-172E	Motor Cord		1
55	TS-0209051	Socket Head Cap Screw	3/8"-16x1"	1
56	JWL1642-196E	Strain Relief	PG13.5	3
57	JML-70E	Strain Relief	PG9	1
58	JWL1640EVS-158E	Signal Cord		1
59	JWL1640EVS-159E	Power Cord		1
60	JWL1640EVS-160	Pan Head Screw	#10 - 24 x1"	8

Index No.	Part No.	Description	Size	Qty
61	JWL1640EVS-161E	Inverter Upper Cover		1
62	JWL1640EVS-162E	Inverter	VFD007E11A	1
63	JWL1640EVS-163	Inverter Lower Box		1
64	TS-0560071	Hex Nut	#10-24	7
65	JWL1642-169	Braking Resistor		1
66	JWL1640EVS-166	Eccentric Rod		1
67	JWL1640EVS-167	Handle with Rubber Grip (includes #82)		1
68	TS-0680042	Flat Washer	3/8"	1
69	TS-0209011	Socket Head Cap Screw	3/8"-16x1/2"	1
70	JWL1642-183	Clamp		2
71	JWL1640EVS-171	Safety Guard Bracket		1
72	6644005	Plunger		1
73	JWL1640EVS-173	Hex Bolt	3/8"-16 x 1-3/8"	2
74	JWL1442-164	Knock Out Rod		1
76	JWL1442-108	Wave Washer		1
77	JWL1642-196E	Strain Relief	PG 13.5	1
78	JWL1640EVS-178	Plate		1
79	TS-0206041	Socket Head Cap Screw	#10-24x 3/4"	2
80	JWL1221VS-269E	Wrench (includes #81)		1
81	JWL1221VS-270	Rubber Grip		1
82	JWL1640EVS-182	Rubber Grip		1
83	JWL1640EVS-183E	Adaptor Plate		1
84	JWL1640EVS-184E	Socket Head Button Screw	#10-24x5/16"	4
85	JWL1640EVS-185E	Plate		1
	LM000172E	Caution Label – Anti-rotation Block (not shown)		1

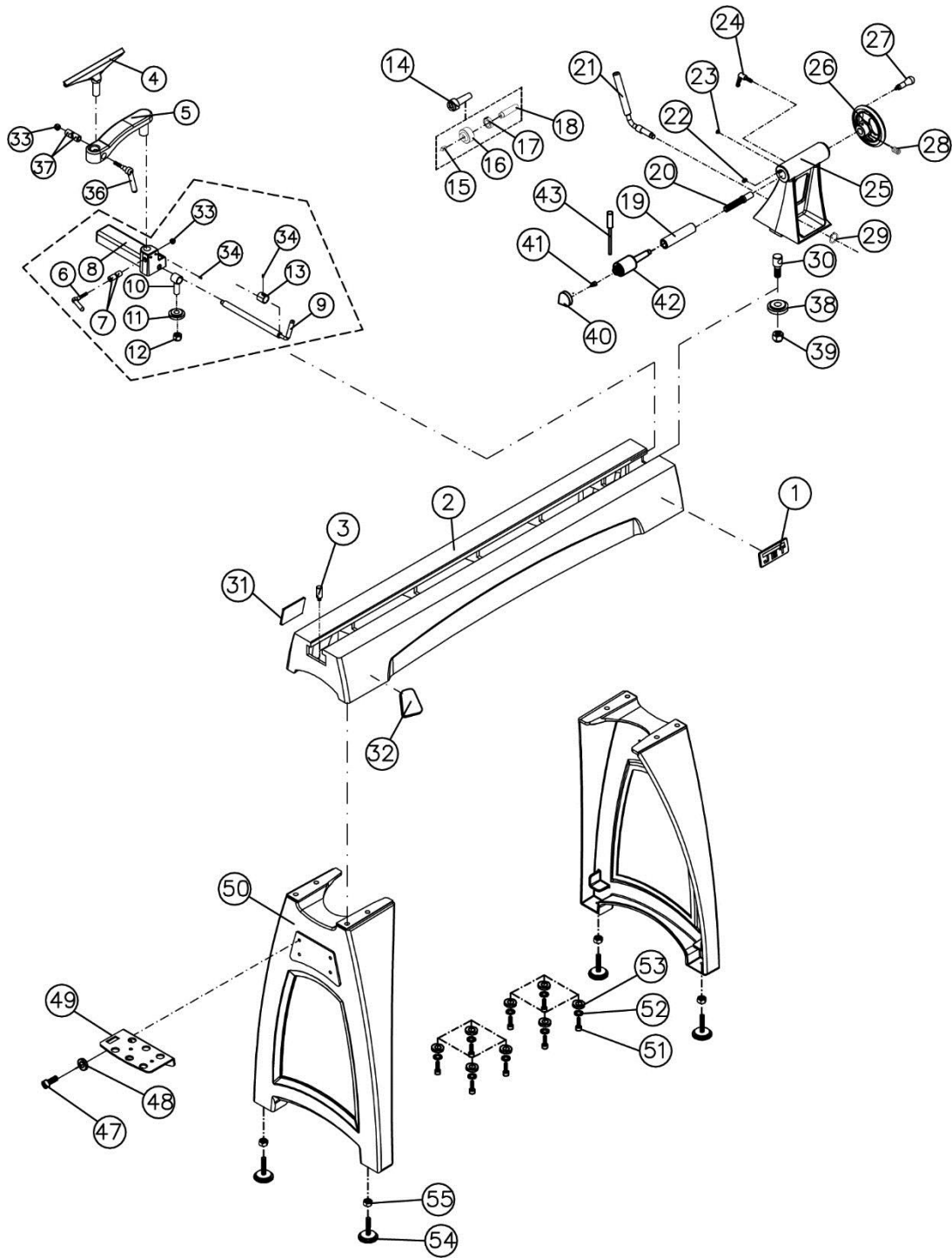
JWL-1640EVS Controller Assembly – Exploded View



JWL-1640EVS Controller Assembly – Parts List

Index No.	Part No.	Description	Size	Qty
1	JWL1640EVS-201	Knob		1
2	JWL1640EVS-202E	Access Door (With Magnets)		1
3	TS-2248252	Socket Head Button Screw	M8-1.25Px25	1
4	LM000171E	Speed Label		1
5	JWL1640EVS-205	Pin		1
6	JWL1640EVS-206	Hinge		1
7	JWL1640EVS-207	O- Ring		1
8	TS-0253031	Socket Head Button Screw	#10-24x1/2"	4
9	JWL1640EVS-160	Pan Head Screw	#10-24x1"	1
10	JWL1640EVS-CAE	Controller Assembly (includes #11 thru 23)		1
11	JWL1642-143	Variable Speed Knob		1
12	LM000066E	Control Panel Label		1
13	4224B-147E	Main Switch		1
14	JWL1640EVS-214E	Control Front Cover (includes #12)		1
15	4224B-148	Switch Fwd/Rev		1
16	6295915	Control Pot Assembly		1
17	JWL1640EVS-217	PC Board		1
18	JWL1640EVS-218	Back Box		1
19	JWL1221VS-320	Strain Relief		1
20	JWL1640EVS-220E	Signal Cord (inverter to control box)		1
21	JWL1640EVS-221	Connection Cord (Spindle Sensor to PC board)		1
22	TS-2284082	Machine Screw	M4x8	4
23	TS-2171012	Machine Screw	M4x6	4
24	JWL1640EVS-224E	Machine Screw	#10-24x1-1/4"	1
25	JWL1221VS-136E	O-Ring		1
26	JWL1640EVS-226E	Warning Label, Access door		1

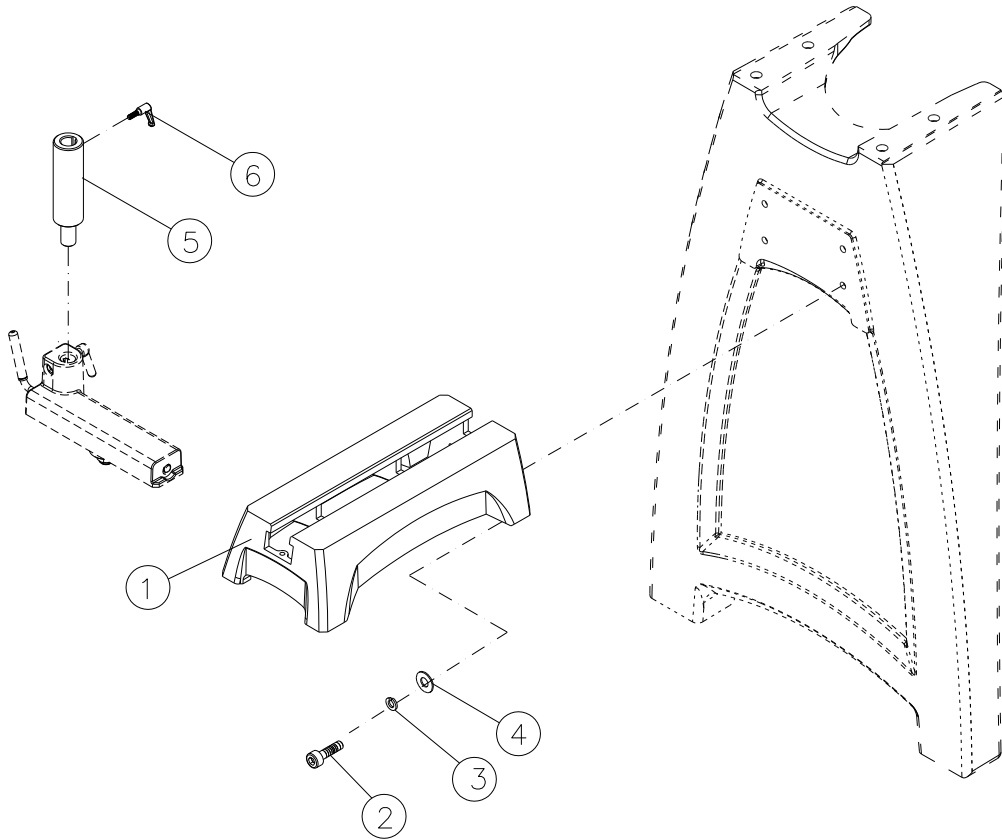
JWL-1640EVS Bed and Stand Assemblies – Exploded View



JWL-1640EVS Bed and Stand Assembly – Parts List

Index No.	Part No.	Description	Size	Qty
1	JET-113	JET Logo	113 x 47 mm	1
2	JWL1440-202	Bed		1
3	JWL1440-203	Stud		2
4	JWL1642-211	Tool Rest	14"	1
5	JWL1440-205	Tool Rest Extension		1
	JWL1440-TBA	Tool Rest Base Assembly (includes #6 thru 13, 33, 34)		1
6	JWL1440-206	Handle		1
7	JWL1440-207	Tool Rest Lock Bushing Set		1
8	JWL1440-208	Tool Rest Base		1
9	JWL1442-210A	Tool Support Rod		1
10	JWL1442-128	Clamp Bolt		1
11	JWL1442-154	Clamp		1
12	TS-0650081	Hex Nylon Lock Nut	3/4"-10	1
13	JWL1440-213	Bushing		1
14	708331	Live Center Assembly (includes #15 thru 18)		1
15	JML-52A	Center Point for Live Center		1
16	JML-52	Live Center Head		1
17	BB-6002ZZ	Ball Bearing	6002ZZ	1
18	JML-54	Live Center Shaft		1
	JWL1640EVS-TA	Tailstock Assembly (includes #19 thru 30, 38, 39)		1
19	JWL1640EVS-319	Quill	MT-2	1
20	JWL1640EVS-320	Lead Screw		1
21	JWL1440-221	Tailstock Rod		1
22	JWL1221VS-227	Key		1
23	F009674	Socket Head Button Screw	#10-32x5/8"	1
24	JML-59A	Tailstock Lock Handle		1
25	JWL1640EVS-325	Tailstock Casting		1
26	JWL1440-226	Handwheel		1
27	JWL1442-211	Handle		1
28	TS-0267041	Set Screw	1/4"-20x 3/8"	2
29	JWL1440-229	C-Ring	S-12	1
30	JWL1440-230	Bolt		1
31	LM000170E	ID Label		1
32	6294773P	Warning Label		1
33	TS-0570031	Hex Nut	3/8"-16	2
34	TS-0267021	Set Screw	1/4"-20x1/4"	4
36	JWL1440-206	Handle		1
37	JWL1440-207	Tool Rest Lock Bushing Set		1
38	JWL1442-154	Clamp		1
39	TS-0650081	Hex Nylon Lock Nut	3/4"-10	1
	6295902	Live Center Assembly (includes #40 thru 43)		1
40	6295905	Live Center Cone		1
41	6295904	Live Center Tip		1
42	6295903	Live Center Body		1
43	6295906	Live Center Rod		1
47	TS-0209061	Socket Head Cap Screw	3/8"-16x1-1/4"	2
48	TS-0680041	Flat Washer	3/8"	2
49	JWL1640EVS-349	Tool Shelf		1
50	JWL1440-401	Leg		2
51	TS-0208071	Socket Head Cap Screw	5/16"-18x1-1/4"	8
52	TS-0720081	Lock Washer	5/16"	8
53	TS-0680031	Flat Washer	5/16"	8
54	JWL1642-206	Adjustable Foot	3/8"	4
55	TS-0561031	Hex Nut	3/8"-16	4
	JWL1440-HP1	Hardware Package (includes #51, 52, 53)		

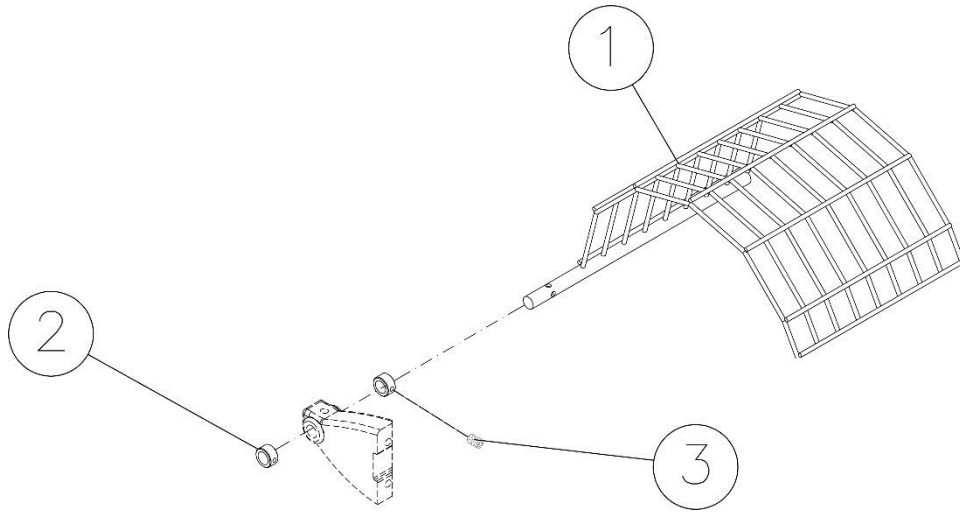
JWL-1640EVS Extension Bed Assembly (OPTIONAL) – Exploded View



JWL-1640EVS Extension Bed Assembly (OPTIONAL) – Parts List

Index No.	Part No.	Description	Size	Qty
.....	719401	20" Extension Bed w/ Post (includes #1 thru 6)	1
1	JWL1440-301	Extension Bed	20"	1
2	TS-0209071	Socket Head Cap Screw	3/8"-16x1-1/2"	4
3	TS-0720091	Lock Washer	3/8"	4
4	TS-0680041	Flat Washer	3/8"	4
5	3520B-310	Extension Post	1
6	6294763	Locking Handle	1

JWL-1640EVS Guard Assembly (OPTIONAL) – Exploded View



JWL-1640EVS Guard Assembly (OPTIONAL) – Parts List

Index No.	Part No.	Description	Size	Qty
.....	719002	Lathe Guard Assembly (includes #1 thru 3)
1	JWL1642-179	Guard	1
2	JWL1642-187	Collar	2
3	TS-0270011	Set Screw	5/16"-18 x 1/4"	2

JWL-1640EVS-M..... 719500M...1~230V, 50Hz

	colour of strands	Litzenfarben	couleur des cordons
BK	black	schwarz	noir
WH	white	weiß	blanc
BU	blue	blau	bleu
YE	yellow	gelb	jaune
RD	red	rot	rouge
BN	brown	braun	brun
GY	grey	grau	gris
GNYE	green-yellow	grün-gelb	vert-jaune
OG	orange	orange	orange
VT	violet	violett	violet

	meaning of symbol	Bedeutung der Zeichen	interprétation
M	motor	Motor	moteur
S	switch	Schalter	interrupteur
C	condenser	Kondensator	condensateur
E	electronic unit	Elektronik Einheit	unité électronique
F	fuse	Sicherung	fusible
RS	reversing switch	Drehrichtungsschalter	commu. droite/gauche
S	centrifugal switch	Fliehkraftschalter	déclencheur centrifuge
OL	overload cut-off	Überlastschutzschalter	déclencheur surcharge
LS	limit switch	Positionsendschalter	micro

