

JET

JPT-310HH
JPT-410HH

PLANER & THICKNESSER

Original:

GB
Operating Instructions

Translations:

D
Gebrauchsanleitung

F
Mode d'emploi



JPW (Tool) AG
Tämperlistrasse 5
CH-8117 Fällanden
Switzerland
Phone +41 44 806 47 48
Fax +41 44 806 47 58
www.jettools.com

CE

M-10000292M/T, 100000296T

2014-04

CE-Conformity Declaration

Product: Planer & Thicknesser

JPT-310HH

Stock Number: 10000292M / 10000292T

JPT-410HH

Stock Number: 10000296T

Brand: JET

Manufacturer:

JPW (Tool) AG, Tämperlistrasse 5, CH-8117 Fällanden, Switzerland

On our own responsibility we hereby declare that this product complies with the regulations

- * 2006/42/EC Machinery Directive
- * 2004/108/EC EMC Directive (Electro Magnetic Compatibility)
- * 2006/95/EC Low Voltage Directive
- * 2011/65/EC RoHS Directive (Reduction of Hazardous Substances)

designed in consideration of the standards

** EN 861

CE type examination performed by

***Prüf- und Zertifizierungsstelle im DGUV Test, Fachbereich Holz und Metall
Vollmoellerstraße 11, D-70563 Stuttgart
certified body No: 0392
certificate number: HO 121109

Technical file compiled by: Hansjörg Brunner, Product Management



2014-04-22 Eduard Schärer, General Manager

JPW (Tool) AG, Tämperlistrasse 5, CH-8117 Fällanden, Switzerland

GB - ENGLISH

Operating Instructions

Dear Customer,

Many thanks for the confidence you have shown in us with the purchase of your new JET-machine. This manual has been prepared for the owner and operators of a JET JPT-310HH/ JPT-410HH planer thicknesser to promote safety during installation, operation and maintenance procedures. Please read and understand the information contained in these operating instructions and the accompanying documents. To obtain maximum life and efficiency from your machine, and to use it safely, read this manual thoroughly and follow instructions carefully.

...Table of Contents

1. Declaration of conformity

2. Warranty

3. Safety

Authorized use
General safety notes
Remaining hazards

4. Machine specifications

Technical data
Noise emission
Dust emission
Contents of delivery
Description of machine

5. Transport and start up

Transport and installation
Assembly
Mains connection
Dust connection
Starting operation

6. Machine operation

Jointing and planing
Thicknessing

7. Setup and Adjustments

Changing knife inserts
Thickness table adjustment

8. Maintenance and adjustment

9. Troubleshooting

10. Environmental protection

11. Available accessories

12. „Safe operation” (appendix A)

1. Declaration of conformity

On our own responsibility we hereby declare that this product complies with the regulations* listed on page 2.

Designed in consideration with the standards**. CE type examination*** performed by****.

2. Warranty

The Seller guarantees that the supplied product is free from material defects and manufacturing faults. This warranty does not cover any defects which are caused, either directly or indirectly, by incorrect use, carelessness, accidental damage, repair, inadequate maintenance or cleaning and normal wear and tear.

Guarantee and/or warranty claims must be made within twelve months from the date of purchase (date of invoice). Any further claims shall be excluded.

This warranty includes all guarantee obligations of the Seller and replaces all previous declarations and agreements concerning warranties.

The warranty period is valid for eight hours of daily use. If this is exceeded, the warranty period shall be reduced in proportion to the excess use, but to no less than three months.

Returning rejected goods requires the prior express consent of the Seller and is at the Buyer's risk and expense.

Further warranty details can be found in the General Terms and Conditions (GTC). The GTC can be viewed at www.jetwilton.com or can be sent by post upon request.

The Seller reserves the right to make changes to the product and accessories at any time.

3. Safety

3.1 Authorized use

This machine is designed for planing wood, and wood derived materials. Machining of other materials is not permitted and may be carried out in specific cases only after consulting with the manufacturer.

No metal workpieces may be machined.

The workpiece must allow to safely be loaded, supported and guided.

The proper use also includes compliance with the operating and maintenance instructions given in this manual.

The machine must be operated only by persons familiar with its operation, maintenance and repair and who are familiar with its hazards.

The required minimum age must be observed

The machine must only be used in a technically perfect condition

When working on the machine, all safety mechanisms and covers must be mounted.

In addition to the safety requirements contained in this operating instructions and your country's applicable regulations, you should observe the generally recognized technical rules concerning the operation of woodworking machines.

Any other use exceeds authorization. In the event of unauthorized use of the machine, the manufacturer renounces all liability and the responsibility is transferred exclusively to the operator.

3.2 General safety notes

Woodworking machines can be dangerous if not used properly. Therefore the appropriate general technical rules as well as the following notes must be observed.

Read and understand the entire instruction manual before attempting assembly or operation.

Keep this operating instruction close by the machine, protected from dirt and humidity, and pass it over to the new owner if you part with the tool.

No changes to the machine may be made.

Daily inspect the function and existence of the safety appliances before you start the machine.

Do not attempt operation in this case, protect the machine by unplugging the mains cord.

Remove all loose clothing and confine long hair.

Before operating the machine, remove tie, rings, watches, other jewellery, and roll up sleeves above the elbows.

Wear safety shoes, never wear leisure shoes or sandals.

Always wear the approved working outfit

- safety goggles
- ear protection
- dust protection

Do **not** wear gloves while operating this machine.

Observe the chapter “ save machine use” in this manual.

Control the stopping time of the machine, it may not be longer than 10 seconds.

Remove cut and jammed work pieces only when motor is turned off and the machine is at a complete standstill.

Install the machine so that there is sufficient space for safe operation and work piece handling.

Keep work area well lighted.

The machine must be placed stable on firm and levelled ground.

Make sure that the power cord does not impede work and cause people to trip.

Keep the floor around the machine clean and free of scrap material, oil and grease.

Stay alert!

Give your work undivided attention. Use common sense. Do not operate the machine when you are tired.

Keep an ergonomic body position. Maintain a balanced stance at all times.

Do not operate the machine under the influence of drugs, alcohol or any medication. Be aware that medication can change your behaviour.

Keep children and visitors a safe distance from the work area.

Never reach into the machine while it is operating or running down.

Never leave a running machine unattended.

Before you leave the workplace switch off the machine.

Do not operate the electric tool near inflammable liquids or gases. Observe the fire fighting and fire alert options, for example the fire extinguisher operation and place.

Do not use the machine in a dump environment and do not expose it to rain.

Wood dust is explosive and can also represent a risk to health.

Dust form some tropical woods in particular, and from hardwoods like beach and oak, is classified as a carcinogenic substance.

Always use a suitable dust extraction device

Before machining, remove any nails and other foreign bodies from the work piece.

Never operate with the guards not in place – serious risk of injury!

The jointer fence always has to be mounted.

Always keep your hands well clear of the cutter block.

When jointing, use the jointer fence to provide firm support for the work piece.

Use an auxiliary fence when planing thin or narrow stock, to keep your hands at a safe distance from the cutter block.

Always cover the part of the cutter block that is not covered by the work piece with the cutter block guard.

Adjust the cutter block guard exactly to the dimension of the work piece.

Never reach with your hands under the cutter block guard when guiding the work piece!

Plane only stock which rests securely on the table.

Work pieces shorter than 200mm require special feeding aids for planing (e.g. feeding template).

Never plane a work piece if it cannot be guided with a sufficient distance to the cutter block.

Do not pull the work piece back over the unguarded cutter block.

Specifications regarding the maximum or minimum size of the work piece must be observed.

Do not remove chips and work piece parts until the machine is at a complete standstill.

Always plane the work piece over its entire length.

Always use sharp cutter knives.

Use roller supports on both sides of the planer when working long stock.

Keep all table surfaces clean, in particular remove resin residue.

All anti-kickback fingers must automatically return to their rest position (downwards)

Never reach with your hands into the machine when guiding or sorting the work piece.

Use a feeding aid (push wood) if you want to feed short stock into the machine.

Thickening stock must have a minimum length of 150mm.

Do not thickness more than two work pieces at the same time.

For stock which surfaces are not parallel, use suitable feeding aids (make fitting templates).

Do not stand on the machine.

Connection and repair work on the electrical installation may be carried out by a qualified electrician only.

Have a damaged or worn cord replaced immediately.

Make all machine adjustments or maintenance with the machine unplugged from the power source.

3.3 Remaining hazards

When using the machine according to regulations some remaining hazards may still exist

Touching the cutter block in the machining area can cause injury. For effective protection the cutter block guard must always be adapted to the work piece.

Risk of kickback. Work piece is caught by the rotating cutter block and thrown back to the operator.

Thrown work piece parts can lead to injury.

Drawing-in/trapping hazard by power feed mechanism.

Squeezing hazard by work piece power-outfeed.

Sawdust and noise can be health hazards.

Be sure to wear personal protection gear such as safety goggles and ear protection. Use a suitable dust exhaust system.

The use of incorrect mains supply or a damaged power cord can lead to injuries caused by electricity.

4. Machine specifications

4.1 Technical data

JPT-310HH:

Planing

Jointing width	max 307 mm
Table length	1400mm
Height above floor	850mm
Fence size	1100 x 150mm
Fence tilt	0 - 45°
Depth of cut	max.3 mm

Thickening

Thickening width	max 307 mm
Thickening height	4 - 225 mm
Thickening table length	540mm
Min. length of work piece	150mm
Feed speed	3.5 m/min(230V)
Feed speed	7 m/min(400V)
Depth of cut	max. 4,5 mm

Number of knives	56 carbide inserts
Cutter block diameter	72 mm
No load speed n ₀	5500 rpm
Dust port diameter	100mm

Overall (LxWxH)	1400x750x1000mm
Net Weight	230 kg

Mains	230V ~1/N/PE 50Hz
Output power	2,2 kW (3 HP) S1
Reference current	12.5 A
Extension cord (H07RN-F)	3x1,5mm ²
Installation fuse protection	16A

Mains	400V ~3/PE 50Hz
Output power	2,2 kW (3 HP) S1
Reference current	5 A
Extension cord (H07RN-F)	4x1,5mm ²
Installation fuse protection	16A

JPT-410HH:

Planing

Jointing width	max 407 mm
Table length	1660mm
Height above floor	850mm
Fence size	1100 x 150mm
Fence tilt	0 - 45°
Depth of cut	max.3 mm

Thickening

Thickening width	max 407 mm
Thickening height	4 - 225 mm
Thickening table length	600mm
Min. length of work piece	150mm
Feed speed	7 m/min(400V)
Depth of cut	max. 4,5 mm

Number of knives	72 carbide inserts
Cutter block diameter	72 mm
No load speed n ₀	5500 rpm

Dust port diameter	120mm
--------------------	-------

Overall (LxWxH)	1660x870x1000mm
Net Weight	315 kg

Mains	230V ~1/N/PE 50Hz
Output power	2,2 kW (3 HP) S1
Reference current	13 A
Extension cord (H07RN-F)	3x1,5mm ²
Installation fuse protection	16A

Mains	400V ~3/PE 50Hz
Output power	3 kW (4 HP) S1
Reference current	6,5 A
Extension cord (H07RN-F)	4x1,5mm ²
Installation fuse protection	16A

4.2 Noise emission

Determined according to EN 861 (Inspection tolerance 4 dB)
Work piece pine wood:
W=100mm, L=1000mm, moisture 8,5%

Planing:

Acoustic power level (according to EN ISO 3746):	
Idling	LwA 81,7 dB(A)
Operating	LwA 94,3 dB(A)

Acoustic pressure level (according to EN ISO 11202):	
Idling	LpA 72,1 dB(A)
Operating	LpA 85,9 dB(A)

Thickening:

Acoustic power level (according to EN ISO 3746):	
Idling	LwA 80,7 dB(A)
Operating	LwA 87,8 dB(A)

Acoustic pressure level (according to EN 11202):	
Operating position 1:	
Idling	LpA 69,2 dB(A)
Operating	LpA 85,7 dB(A)

Operating position 2:	
Idling	LpA 70,0 dB(A)
Operating	LpA 89,5 dB(A)

The specified values are emission levels and are not necessarily to be seen as safe operating levels. Although there is a correlation between emission and imission levels, these do not constitute a basis for determining the necessity of additional safety measures.

Workplace conditions which could influence the noise imission level include the duration of resonance, spatial particulars, other noise sources etc. For example, the number of machines and other work being performed. The permissible workplace

levels can vary from country to country.

This information is intended to allow the user to make a better estimation of the hazards and risks involved.

4.3 Dust emission

The planer thickener has been dust emission inspected.

JPT-310HH:

At an air velocity of 20 m/s on the dust port dia 100mm:	
Vacuum pressure	900 Pa
Volume flow	565 m ³ /h

JPT-410HH:

At an air velocity of 20 m/s on the dust port dia 120mm:	
Vacuum pressure	950 Pa
Volume flow	810 m ³ /h

The machine meets a workplace dust emission limit of 2 mg/m³.

4.4 Content of delivery

Planer thickener assembly
Jointer fence assembly.
Cutter block guard
5 spare carbide inserts
10 spare Torx-screws
2 Torx screw drivers
Operating manual
Spare parts list

4.5 Machine description

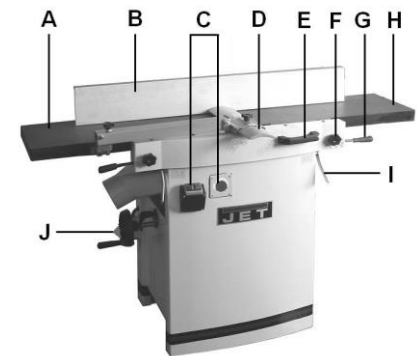


Fig 1

- A....Outfeed table
- B....Jointer fence
- C....ON/OFF switch, E-stop button
- D....Cutterblock guard
- E.....Table tilt handle
- F....Table adjustment lock
- G....Table adjustment handle
- H....Infeed table
- I.....Table-cabinet lock
- J.....Mains plug

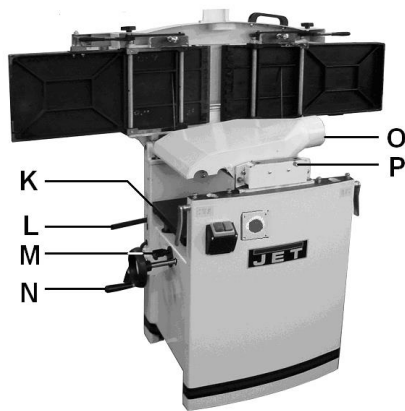


Fig 2

- K....Thickness table
- L....Power feed ON/OFF handle
- M....Thickness table lock
- N....Thickness table adjust handwheel
- O.....Dust hood
- P.....Dust hood disengagement knob

5. Transport and start up

5.1 Transport and installation

For transport use a forklift or hand trolley. Make sure the machine does not tip or fall off during transport.

Remove the carriage bolts and slide the machine carefully off the pallet.

ATTENTION:

The planer tables are precisely aligned ex. works. They may only be loaded when they are closed and the table-cabinet locks (I, Fig 1) are engaged, otherwise they may be damaged.

The machine is designed to operate in closed rooms and must be placed stable on firm and levelled ground. The machine can be bolted down if required.

5.2 Assembly

If you notice any transport damage while unpacking, notify your supplier immediately. Do not operate the machine!

Dispose of the packing in an environmentally friendly manner.

Clean all rust protected surfaces with a mild solvent.

5.3 Mains connection

Mains connection and any extension cords used must comply with applicable regulations.

The mains voltage must comply with the information on the machine licence plate.

The mains connection must have a 16A surge-proof fuse.

Only use connection cables marked H07RN-F

Connections and repairs to the electrical equipment may only be carried out by qualified electricians.

ATTENTION:

-Check first if the cutter block runs freely and if all safety devices are fitted before starting the machine.

- If the direction of rotation is not correct, the phase converter inside the CCE Euro plug must be pushed in and turned 180°.

(See rotation arrow on machine for correct rotation)

5.4 Dust connection

Before initial operation, the machine must be connected to a dust extractor. The suction should switch on automatically when the jointer is switched on.

The flow rate on the suction port must be 20m/sec.

Flexible hoses must be of non-flammable quality, and must be connected to the machine ground system.

5.5 Starting operation

You can start the machine with the green on button. The red button on the main switch stops the machine.

In case of emergency push the E-stop button to stop the machine.

The power feed can be engaged and disengaged with handle (L, Fig 2).

In case of machine overload the motor overload cut-off will react. After appr.10 min of cooling the machine can be started again.

6. Machine operation

Change of operating mode (planing to thicknessing and back) may only be performed when the machine is at a complete standstill.

6.1 Jointing and planing

Correct operating position:

Position yourselves offset to the infeed table (Fig 4).

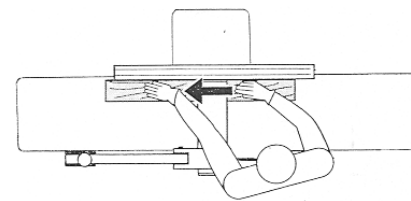


Fig 4

Work piece handling:

Feed the work piece straight across the infeed table, holding your fingers close together, guiding the work piece with the palm of your hands.

Never put your hands under the cutter block cover.

Always keep your hands well clear of the cutter block

Do not pull the work piece back over the unguarded cutter block

Always plane the work piece over its entire length.

Adjust depth of cut with lever (G).

Loosen clamping knob (F) for adjustment.

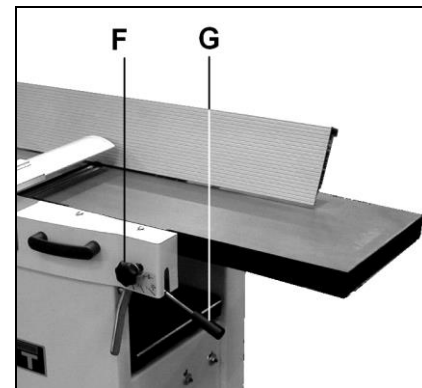


Fig 5

Support long work pieces (longer than jointer tables) with helping roller stands or table extensions.

Planing the face of a work piece up to 75mm thick:

Place the work piece against the jointer fence. Adjust the cutter block guard to the height of the work piece. When guiding the work piece, the hands slide over the cutter block guard (Fig 6)

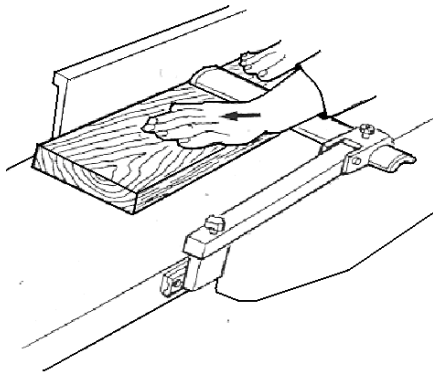


Fig 6

Planing the edge of a work piece (jointing) or planing work pieces more than 75mm thick:

Place the work piece against the jointer fence.
Adapt the cutter block guard to the width of the work piece (Fig 7).

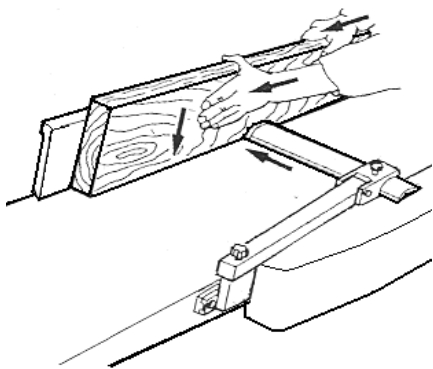


Fig 7

Chamfering a work piece:

Place the work piece against the jointer fence.
Adapt the cutter block guard to the width of the work piece (Fig 8).

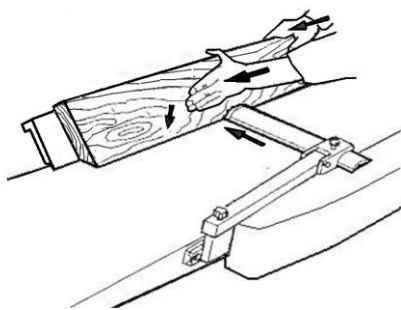


Fig 8

Planing of narrow work pieces:

Add an auxiliary fence to safely guide narrow workpieces (see Fig 9).

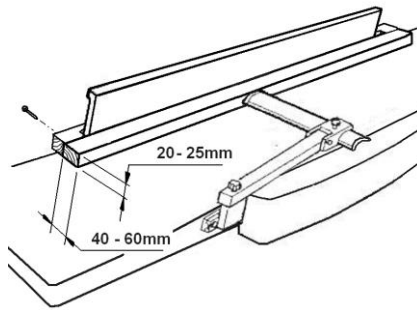


Fig 9

Operating notes:

The planer tables are precisely aligned ex. works. They may only be loaded when the table-cabinet locks are engaged, otherwise they may be damaged or precision of machine be lost.

Always use sharp cutter knives!

Check work piece for foreign objects (nails, screws) and for loose knots.

Feed with thicker work piece end at the front, hollow side downward.

Plane the stock with the grain, if possible.

You get a better surface when planing several passes with less chip removal.

Switch machine off if no further planing is to be done immediately afterwards. Cover the cutter block with the cutter block guard.

Jointing and planing of short workpieces may only be performed with the help of tailor made push woods and templates.

For the authorized use of the machine observe the appendix A "safe operation" (on the last pages of this operating manual)

A1: Planing, stock thickness below 75mm

A2: Edge jointing

A3: Planing of narrow gibs

A4: Planing of short stock with push wood.

6.2 Thicknessing

Correct operating position:

To feed the work piece into the machine, position yourselves offset to one side of the feed opening.

Work piece handling

Adjust the planer table to the work piece thickness.

Feed work piece slowly and straight into the thicknesser. It will then be automatically fed through the thicknesser.

Guide work piece straight through the thicknesser.

To remove the work piece from the machine, position yourselves offset to one side of the outfeed opening.

Support long work pieces with helping roller stands.

Operating notes:

Always use sharp cutter knives!

Feed with thicker work piece end at the front, hollow side downward.

Max. 4,5 mm depth of cut. If a work piece gets stuck lower the planer table by app. 1mm (1/4 crank turn).

Plane the stock with the grain, if possible.

You get a better surface when planing several passes with less chip removal.

Switch machine off if no further planing is to be done immediately afterwards.

Work pieces shorter than 150mm may not be processed.

Machine max. 2 work pieces at one time. Feed on both outer sides.

7. Setup and adjustments

General note:

Setup and adjustment work may only be carried out after the machine is protected against accidental starting.

**Push the E-stop button
Pull the mains plug!**

7.1 Changing or rotating knife inserts

Warning:

Knife inserts are extremely sharp. Use caution when working with or around the cutterhead.

Insert Rotation:

The knife inserts are four-sided. When dull, simply remove each insert, rotate it 90° for a fresh edge, and re-install it.

Use the provided Torx screwdrivers to remove the knife insert screw (Fig 10).

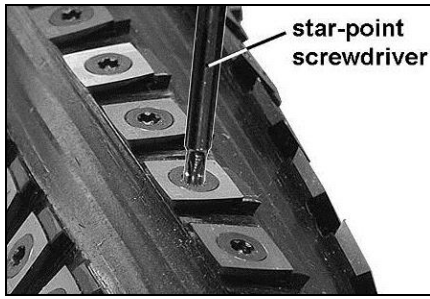


Fig 10

One screwdriver can be used to help hold the cutterhead in position while the other one is used to remove the screw.

It is advisable to rotate all inserts at the same time to maintain consistent cutting.

However, if one knife inserts develops a nick, rotate only the affected insert.

Each knife insert has an etched reference mark so you can keep track of the rotations.

Note:

When removing or rotating inserts, clean saw dust from the screw, the insert, and the cutterhead platform.

Before installing each screw, lightly coat the screw thread with machine oil.

Securely tighten each screw which holds the knife inserts before operating the planer!
Loose inserts can be propelled at high speed from a rotating cutterhead, causing injury.

Unsuitable, incorrectly mounted, dull or cracked carbide inserts can work loose or increase the risk of kickback considerably.

Use genuine Jet replacement parts only.

Carbide inserts can not be resharpened.

Do not extend tool when tightening the knife insert screw. Do not hit the tool.

Close and lock the cutter block cover after insert changing or rotation has been completed.

Reset fence and cutter block guard.

7.2 Thickness Table Adjustment

The thickness table is factory adjusted parallel to the cutterhead.

Disconnect machine from power source to inspect.

Use a gauge block (B) and gently rise the table (C) to inspect (Fig 11).

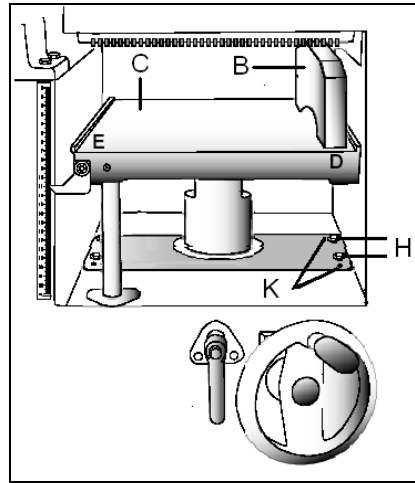


Fig 11

To adjust, loosen the 2 hex head screws (H) on one side and rotate the grub screws (K).

Tighten the hex head screws.

8. Maintenance and inspection

General note:

Maintenance, cleaning and repair work may only be carried out after the machine is protected against accidental starting.

Pull the mains plug!

Clean the machine regularly

Inspect the proper function of the dust extraction daily.

Defective cutting knives must be replaced immediately.

Before starting any work, check the mobility of the anti-kickback fingers (must fall down by their own weight).

Defective safety devices must be replaced immediately.

All protective and safety devices must be re-attached immediately after completed cleaning, maintenance and inspection work.

Repair and maintenance work on the electrical system may only be carried out by a qualified electrician.

Drive Belt:

The belt tension must be inspected regularly.

Motor Break (JPT-410HH):

The motor break works electro-mechanically (break motor). If breaking time should exceed 10 seconds, the motor break assembly needs to be replaced. Contact your Jet service station immediately.

9. Trouble shooting

General note:

Maintenance, cleaning and repair work may only be carried out after the machine is protected against accidental starting.

Pull the mains plug!

All protective and safety devices must be re-attached immediately after completed cleaning, repair and maintenance work.

Repair and maintenance work on the electrical system may only be carried out by a qualified electrician.

Motor doesn't start

*No electricity-check mains and fuse.

*Defective switch, motor or cord-consult an electrician.

*Overload has reacted-Wait and restart.

Machine vibrates excessively

*Stand on uneven floor-adjust stand for even support.

*carbide insert broken or missing-replace insert immediately.

Cutting surfaces is bad

*dull carbide inserts-rotate or replace inserts

*Cutter knives blocked by chips-remove chips.

*Too heavy a cut-make several passes.

*Knives cutting against grain-plane work piece in opposite direction.

*Work piece inhomogeneous

*Moisture content too high

Snipe

*Inadequate support of long boards-use helping roller stand.

*dull carbide inserts-rotate or replace inserts

*Knives too high above table-set the outfeed table higher

*Work piece twisted-plane work piece before thicknessing.

Unparallel side to side

*table not parallel to cutterblock-
adjust table parallel.

Work piece jams

*Too much material removed in one
pass-
make several passes.

*Resin build-up on tables-
clean and wax table surfaces.

*Surface of feed rollers too smooth-
clean infeed roller with brush
roughen out feed roller with
sandpaper.

Planer table difficult to adjust

*Lack of lubrication-
lubricate excenters and guides.

Thickness table difficult to adjust

*Lack of lubrication-
lubricate central post and screw.

*Thickness table lock is on-
loosen lock handle

Poor machining power

*Main drive belt slipping-
tighten or replace belt.

*Resin build-up on tables-
clean and wax table surfaces.

*dull carbide inserts-
rotate or replace inserts

10. Environmental protection

Protect the environment.

Your appliance contains valuable
materials which can be recovered or
recycled. Please leave it at a
specialized institution.

11. Available accessories

Stock number 1791212

Set of 10 carbide inserts

Stock number 1000291

Digital thickness readout (Fig 12)



Fig 12

Stock number 708118

Mobile base 250kg
(Fig 13, for JPT-310HH only)

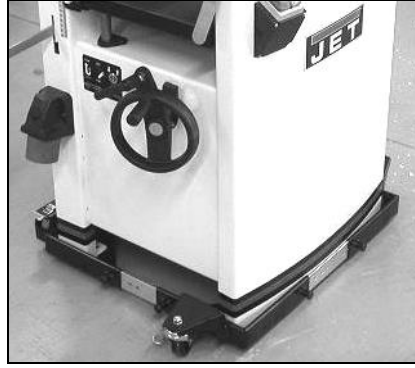


Fig 13

Stock number 1000296

Mobility kit with tommy bar (Fig 14, Fig
15)

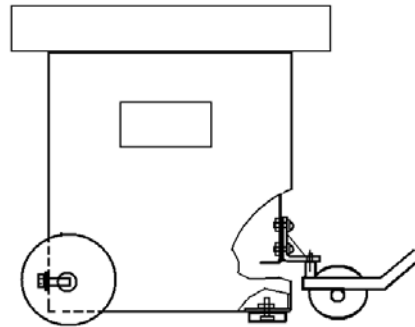


Fig 14



Fig 15

Stock number 6285917

Push block

Stock number 709207

Foldable roller stand.

12. Safe operation

See appendix A (on the last pages of
this operating manual)

A1: Planing, stock thickness below
75mm

A2: Edge jointing

A3: Planing of narrow gibs

A4: Planing of short stock with push
wood.

DE - DEUTSCH

Gebrauchsanleitung

Sehr geehrter Kunde,

vielen Dank für das Vertrauen, welches Sie uns beim Kauf Ihrer neuen JET-Maschine entgegengebracht haben. Diese Anleitung ist für den Inhaber und die Bediener zum Zweck einer sicheren Inbetriebnahme, Bedienung und Wartung der Abricht-Dickenhobelmaschine JPT-310HH/ JPT-410HH erstellt worden. Beachten Sie bitte die Informationen dieser Gebrauchsanleitung und der beiliegenden Dokumente. Lesen Sie diese Anleitung vollständig, insbesondere die Sicherheitshinweise, bevor Sie die Maschine zusammenbauen, in Betrieb nehmen oder warten. Um eine maximale Lebensdauer und Leistungsfähigkeit Ihrer Maschinen zu erreichen befolgen Sie bitte sorgfältig die Anweisungen.

Inhaltsverzeichnis

- 1. Konformitätserklärung**
- 2. Garantieleistungen**
- 3. Sicherheit**
Bestimmungsgemäße Verwendung
Allgemeine Sicherheitshinweise
Restrisiken
- 4. Maschinenspezifikation**
Technische Daten
Schallemission
Staubemission
Lieferumfang
Maschinenbeschreibung
- 5. Transport und Inbetriebnahme**
Transport und Aufstellung
Montage
Elektrischer Anschluss
Absaug Anschluss
Inbetriebnahme
- 6. Betrieb der Maschine**
Abrichten und Fügen
Dickenhobeln
- 7. Rüst und Einstellarbeiten**
Wechsel der Wendepplatten
Dickentisch Parallelität
- 8. Wartung und Inspektion**
- 9. Störungsabhilfe**
- 10. Umweltschutz**
- 11. Lieferbares Zubehör**
- 12. Sicheres Arbeiten (Anhang A)**

1. Konformitätserklärung

Wir erklären in alleiniger Verantwortlichkeit, dass dieses Produkt mit den auf Seite 2 angegebenen Richtlinien* übereinstimmt.

Bei der Konstruktion wurden folgende Normen** berücksichtigt und eine EG-Baumusterprüfung *** von **** durchgeführt.

2. Garantieleistungen

Der Verkäufer garantiert, dass das gelieferte Produkt frei von Material- und Fertigungsfehlern ist. Diese Garantie trifft nicht auf jene Defekte zu, welche auf direkten oder indirekten, nicht fachgerechten Gebrauch, Unachtsamkeit, Unfallschaden, Reparatur, mangelhafte Wartung bzw. Reinigung sowie normalen Verschleiß zurückzuführen sind.

Garantie- bzw. Gewährleistungsansprüche müssen innerhalb von 12 Monaten ab dem Verkaufsdatum (Rechnungsdatum) geltend gemacht werden. Weitergehende Ansprüche sind ausgeschlossen.

Die vorliegende Garantie umfasst sämtliche Garantieverpflichtungen seitens des Verkäufers und ersetzt alle früheren Erklärungen und Vereinbarungen betreffend Garantien.

Die Garantiefrist gilt für eine tägliche Betriebszeit von 8 Stunden. Wird diese überschritten, so verkürzt sich die Garantiefrist proportional zur Überschreitung, jedoch höchstens auf 3 Monate.

Die Rücksendung beanstandeter Ware bedarf der ausdrücklichen vorherigen Zustimmung vom Verkäufer und geht auf Kosten und Gefahr des Käufers.

Die ausführlichen Garantieleistungen sind den Allgemeinen Geschäftsbedingungen (AGB) zu entnehmen. Die AGB sind unter www.jetwilton.com einzusehen oder werden auf Anfrage per Post zugestellt.

Der Verkäufer behält sich das Recht vor, jederzeit Änderungen am Produkt und Zubehör vorzunehmen.

3. Sicherheit

3.1 Bestimmungsgemäße Verwendung

Die Maschine ist geeignet zum Hobeln von Holz und Holzersatzstoffen. Die Bearbeitung anderer Werkstoffe ist nicht zulässig bzw. darf in Sonderfällen nur nach Rücksprache mit dem Maschinenhersteller erfolgen. Es dürfen keine metallischen Werkstoffe bearbeitet werden.

Es dürfen nur Werkstücke bearbeitet werden welche sicher aufgelegt und geführt werden können.

Die bestimmungsgemäße Verwendung beinhaltet auch die Einhaltung der vom Hersteller angegebenen Betriebs- und Wartungsanweisungen. Die Maschine darf ausschließlich von Personen bedient werden, die mit Betrieb und Wartung vertraut und über die Gefahren unterrichtet sind. Das gesetzliche Mindestalter ist einzuhalten.

Die Maschine nur in technisch einwandfreiem Zustand benutzen. Beim Arbeiten an der Maschine müssen sämtliche Schutzeinrichtungen und Abdeckungen montiert sein.

Neben den in der Gebrauchsanleitung enthaltenen Sicherheitshinweisen und den besonderen Vorschriften Ihres Landes sind die für den Betrieb von Holzbearbeitungsmaschinen allgemein anerkannten fachtechnischen Regeln zu beachten.

Jeder darüber hinaus gehende Gebrauch gilt als nicht bestimmungsgemäß und für daraus resultierende Schäden haftet der Hersteller nicht. Das Risiko trägt allein der Benutzer.

3.2 Allgemeine Sicherheitshinweise

Holzbearbeitungsmaschinen können bei unsachgemäßem Gebrauch gefährlich sein. Deshalb ist zum sicheren Betreiben die Beachtung der zutreffenden Unfallverhütungs-Vorschriften und der nachfolgenden Hinweise erforderlich.

Lesen und verstehen Sie die komplette Gebrauchsanleitung bevor Sie mit Montage oder Betrieb der Maschine beginnen.

Es ist darauf zu achten, dass die Bedienungsanleitung sich immer in Reichweite der Maschine befindet, geben Sie sie an einen neuen Eigentümer weiter.

An der Maschine dürfen keine Veränderungen, An- und Umbauten vorgenommen werden.

Überprüfen Sie täglich vor dem Einschalten der Maschine die einwandfreie Funktion und das Vorhandensein der erforderlichen Schutzeinrichtungen. Festgestellte Mängel an der Maschine oder den Sicherheitseinrichtungen sind zu melden und von den beauftragten Personen zu beheben. Nehmen Sie die Maschine in solchen Fällen nicht in Betrieb, sichern Sie die Maschine gegen Einschalten durch Ziehen des Netzsteckers.

Zum Schutz von langem Kopfhaar Mütze oder Haarnetz aufsetzen. Enganliegende Kleidung tragen. Schmuck, Ringe und Armbanduhren ablegen.

Tragen Sie Schutzschuhe, keinesfalls Freizeitschuhe oder Sandalen.

Verwenden Sie die durch Vorschriften geforderte persönliche Schutzausrüstung.

- Augenschutz
- Gehörschutz
- Staubschutz

Beim Arbeiten an der Maschine **keine Handschuhe** tragen.

Beachten Sie das in dieser Betriebsanleitung enthaltene Kapitel zu den Sicherem Arbeitsweisen.

Achten Sie auf die gebremste Auslaufzeit der Maschine, sie darf in keinem Fall 10 s übersteigen.

Eingeklemmte Werkstücke nur bei ausgeschaltetem Motor und Stillstand der Maschine entfernen.

Die Maschine so aufstellen, dass genügend Platz zum Bedienen und zum Führen der Werkstücke gegeben ist.

Sorgen Sie für gute Beleuchtung. Achten Sie darauf, dass die Maschine standsicher auf festem und ebenem Grund steht.

Beachten Sie dass die elektrische Zuleitung nicht den Arbeitsablauf behindert und nicht zur Stolperstelle wird

Den Arbeitsplatz frei von behindernden Werkstücken, etc. halten.

Seien Sie aufmerksam und konzentriert. Gehen Sie mit Vernunft an die Arbeit.

Achten Sie auf ergonomische Körperhaltung. Sorgen Sie für sicheren Stand und halten Sie jederzeit das Gleichgewicht.

Arbeiten Sie niemals unter dem Einfluss von Rauschmitteln wie Alkohol und Drogen an der Maschine. Beachten Sie, dass auch Medikamente Einfluss auf Ihr Verhalten nehmen können.

Halten Sie Kinder und unbeteiligte Personen vom Arbeitsplatz fern.

Entfernen Sie nie Späne, Werkstücke und Werkstückabschnitte bevor die Maschine stillsteht.

Die laufende Maschine nie unbeaufsichtigt lassen. Vor dem Verlassen des Arbeitsplatzes die Maschine ausschalten.

Benützen Sie die Maschine nicht in der Nähe von brennbaren Flüssigkeiten oder Gasen. Beachten Sie die Brandmelde- und Brandbekämpfungsmöglichkeiten z.B. Standort und Bedienung von Feuerlöschern.

Benützen Sie die Maschine nicht in feuchter Umgebung und setzen Sie sie nicht dem Regen aus.

Achten Sie stets darauf, dass keine zu große Staubkonzentration entsteht – verwenden Sie stets eine geeignete Absauganlage Holzstaub ist explosiv und kann gesundheitsschädigend sein. Insbesondere tropische Hölzer und harte Hölzer wie Buche und Eiche sind als krebserregend eingestuft.

Vor der Bearbeitung Nägel und andere Fremdkörper aus dem Werkstück entfernen.

Die Maschine niemals mit abgebauten Schutzeinrichtungen betreiben, hohe Verletzungsgefahr!

Der Werkstückanschlag muss immer sicher befestigt sein.

Halten Sie immer ausreichend Abstand zur Hobelwelle.

Nutzen Sie beim Abrichten von Schmalseiten den Werkstückanschlag, damit das Werkstück eine sichere Führung hat.

Verwenden Sie einen Hilfsanschlag, wenn Sie ein dünnes oder schmales Werkstück abrichten wollen, damit Ihre Hände immer ausreichend Abstand zur Hobelwelle haben.

Decken Sie den Teil der Messerwelle mit dem Messerschutz ab, der nicht durch das Werkstück abgedeckt ist.

Passen Sie den Messerschutz genau an die Abmessungen des Werkstücks an.

Fassen Sie beim Führen des Werkstücks niemals mit den Händen unter den Messerschutz!

Keine Werkstücke abrichten, die nicht sicher auf dem Tisch aufliegen.

Beim Abrichten von Werkstücklängen unter 200mm sind besondere Hilfsmittel (z.B. Schiebelade) erforderlich.

Keine Werkstücke abrichten wenn nicht mit einem ausreichenden Sicherheitsabstand zur Messerwelle geführt werden kann.

Führen Sie ein Werkstück nicht über die offen laufende Messerwelle zurück.

Die min. und max. Werkstückabmessungen müssen eingehalten werden.

Späne und Werkstücke nur bei stehender Maschine entfernen.

Hobeln Sie ein Werkstück stets über die volle Werkstücklänge.

Benutzen Sie stets scharfe Hobelmesser.

Bei langen Werkstücken, vor und hinter der Maschine Rollenständer benutzen.

Die Oberfläche der Maschinentische sauber halten, insbesondere Harzrückstände entfernen

Alle Greifer der Rückschlagsicherung müssen von selbst in die Ausgangsstellung (nach unten) zurückkehren.

Fassen Sie beim Zuführen und Abnehmen eines Werkstückes niemals mit den Händen in die laufende Maschine.

Verwenden Sie eine Zuführhilfe (Schiebeholz), wenn Sie kleinere Werkstücke dickenhobeln wollen. Die Werkstücke müssen jedoch mindestens 150mm lang sein.

Dickenhobeln Sie maximal zwei Werkstücke zugleich.

Um nicht parallele Flächen zu dickenhobeln, geeignete Zuführhilfen verwenden (passende Zuführladen herstellen).

Nicht auf der Maschine stehen.

Arbeiten an der elektrischen Ausrüstung der Maschine dürfen nur durch eine Elektrofachkraft vorgenommen werden.

Tauschen Sie ein beschädigtes Netzkabel sofort aus.

Umrüst-, Einstell- und Reinigungsarbeiten nur im Maschinenstillstand und bei gezogenem Netzstecker vornehmen.

3.3 Restrisiken

Auch bei vorschriftsmäßiger Benutzung der Maschine bestehen die nachfolgend aufgeführten Restrisiken:

Berührung der Hobelwelle im Schnittbereich. Für einen wirkungsvollen Schutz muss der Messerschutz immer an das Werkstück angepasst werden.

Rückschlaggefahr. Das Werkstück wird von der rotierenden Messerwelle erfasst und gegen den Bediener geschleudert.

Gefährdung durch wegfliegende Werkstückteile.

Einzugsgefahr durch automatischen Vorschub.

Quetschgefahr durch automatischen Werkstück Ausschub.

Gefährdung durch Lärm und Staub. Unbedingt persönliche Schutzausrüstung wie Augen- und Gehörschutz tragen. Absauganlage einsetzen.

Gefährdung durch Strom, bei nicht ordnungsgemäßer Verkabelung.

4. Maschinenspezifikation

4.1 Technische Daten

JPT-310HH:

Ablichten

Hobelbreite	max 307 mm
Abrichttschlänge	1400mm
Abrichttsche über Boden	850mm
Werkstückanschlag	1100 x 150mm
Schwenkbereich	0 - 45°
Abricht-Spanabnahme	max.3 mm

Dickenhobeln

Hobelbreite	max 307 mm
Dickendurchlass	4 - 225 mm
Dickentischlänge	540mm
Min. Werkstücklänge	150mm

Vorschubgeschwindigkeit
3.5 m/min(230V)

Vorschubgeschwindigkeit
7 m/min(400V)

Dicken-Spanabnahme max. 4,5 mm

Messeranzahl

56 HM 4-fach Wendeplättchen	
Hobelwellendurchmesser	72 mm
Leerlaufdrehzahl	5500 U/min

Absauganschluss 100mm

Maschinenabmessung (LxBxH)

1400x750x1000mm

Maschinengewicht 230 kg

Netzanschluss 230V ~1/N/PE 50Hz

Abgabeleistung 2,2 kW (3 PS) S1

Betriebsstrom 12,5 A

Anschlussleitung (H07RN-F) 3x1,5mm²

Bauseitige Absicherung 16A

Netzanschluss 400V ~3/PE 50Hz

Abgabeleistung 2,2 kW (3 PS) S1

Betriebsstrom 5 A

Anschlussleitung (H07RN-F) 4x1,5mm²

Bauseitige Absicherung 16A

JPT-410HH:

Ablichten

Hobelbreite	max 407 mm
Abrichttschlänge	1660mm
Abrichttsche über Boden	850mm
Werkstückanschlag	1100 x 150mm
Schwenkbereich	0 - 45°
Abricht-Spanabnahme	max.3 mm

Dickenhobeln

Hobelbreite	max 407 mm
Dickendurchlass	4 - 225 mm
Dickentischlänge	600mm
Min. Werkstücklänge	150mm

Vorschubgeschwindigkeit
7 m/min(400V)

Dicken-Spanabnahme max. 4,5 mm

Messeranzahl

72 HM 4-fach Wendeplättchen	
Hobelwellendurchmesser	72 mm
Leerlaufdrehzahl	5500 U/min

Absauganschluss 120mm

Maschinenabmessung (LxBxH)

1660x870x1000mm

Maschinengewicht 315 kg

Netzanschluss 230V ~1/N/PE 50Hz

Abgabeleistung 2,2 kW (3 PS) S1

Betriebsstrom 13 A

Anschlussleitung (H07RN-F) 3x1,5mm²

Bauseitige Absicherung 16A

Netzanschluss 400V ~3/PE 50Hz

Abgabeleistung 3 kW (4 PS) S1

Betriebsstrom 6 A

Anschlussleitung (H07RN-F) 4x1,5mm²

Bauseitige Absicherung 16A

4.2 Schallemission

Werte ermittelt nach EN 861

(Messunsicherheitsfaktor 4 dB)

Werkstück Fichte:

B=100mm, L=1000mm, Feuchte 8,5%

Ablichten:

Schalleisungspegel

(nach EN ISO 3746):

Leerlauf LwA 81,7 dB(A)

Bearbeitung LwA 94,3 dB(A)

Schalldruckpegel

(nach EN ISO 11202):

Leerlauf LpA 72,1 dB(A)

Bearbeitung LpA 85,9 dB(A)

Dickenhobeln:

Schalleistungspegel

(nach EN ISO 3746):

Leerlauf LwA 80,7 dB(A)

Bearbeitung LwA 87,8 dB(A)

Schalldruckpegel

(nach EN ISO 11202):

Arbeitsplatz 1:

Leerlauf LpA 69,2 dB(A)

Bearbeitung LpA 85,7 dB(A)

Arbeitsplatz 2:

Leerlauf LpA 70,0 dB(A)

Bearbeitung LpA 89,5 dB(A)

Die angegebenen Werte sind Emissionspegel und sind nicht notwendigerweise Pegel für sicheres Arbeiten.

Obwohl es einen Zusammenhang zwischen Emissions- und Immissionspegel gibt, kann daraus nicht zuverlässig abgeleitet werden, ob zusätzliche Maßnahmen erforderlich sind.

Die den aktuellen am Arbeitsplatz vorhandenen Immissionspegel beeinflussenden Faktoren umfassen die Dauer der Exposition, die Raumcharakteristik, andere Lärmquellen usw. wie z.B. die Anzahl der Maschinen und andere benachbarte Bearbeitungsvorgänge. Außerdem kann der zulässige Immissionspegel von Land zu Land unterschiedlich sein.

Trotzdem ist diese Information geeignet, dem Anwender der Maschine eine bessere Abschätzung der Gefährdung und des Risikos zu ermöglichen.

4.3 Staubemission

Die Abricht-Dickenhobelmaschine wurde staubemissionsbewertet.

JPT-310HH:

Bei 20 m/s Luftgeschwindigkeit am Absaugstutzen Durchmesser 100mm:
 Unterdruck 900 Pa
 Volumenstrom 565 m³/h

JPT-410HH:

Bei 20 m/s Luftgeschwindigkeit am Absaugstutzen Durchmesser 120mm:
 Unterdruck 950 Pa
 Volumenstrom 810 m³/h

Ein Staubgehalt von 2 mg/m³ am Arbeitsplatz ist dauerhaft eingehalten.

4.4 Lieferumfang

Abricht-Dickenhobelmaschine
 Fügeanschlag
 Messerschutz
 5 Stk. Ersatz Wendelplättchen
 10 Stk. Ersatz Torx-Schrauben
 2 Stk. Torx-Schraubendreher
 Gebrauchsanleitung
 Ersatzteilliste

4.5 Maschinenbeschreibung

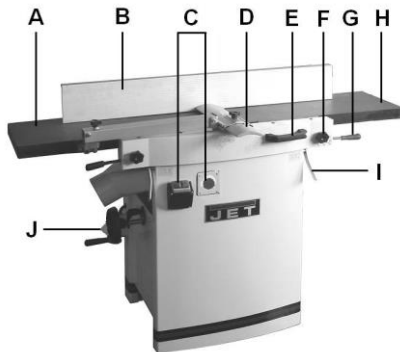


Fig 1

- A....Abgabetable
- B....Werkstückanschlag
- C....Ein/Aus Schalter, Not-Aus Taster
- D....Messerschutz
- E.....Schwenk-Bügelgriff
- F....Tischklemmung
- G....Tisch Verstellgriff
- H....Aufgabetable
- I.....Tisch-Gehäuse Verriegelung
- J.....Netzstecker

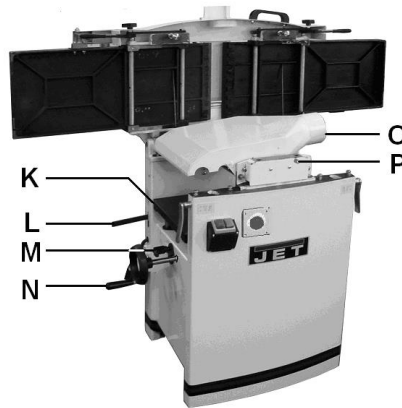


Fig 2

- K....Dickentisch
- L....Vorschub Ein/Aus Hebel
- M....Dickentisch Klemmung
- N....Dickentisch-Verstellkurbel
- O.....Späneauswurfhaube
- P.....Entriegelung für Auswurfhaube

5. Transport und Inbetriebnahme

5.1. Transport und Aufstellung

Zum Transport an den Aufstellort verwenden Sie einen handelsüblichen Stapler oder Hubwagen. Sichern Sie die Maschine beim Transport gegen Umfallen.

Entfernen Sie die Befestigungsschrauben und rutschen Sie die Maschine vorsichtig von der Palette.

ACHTUNG:
 Die Abrichttische sind ab Werk genau eingestellt. Abrichttische nur belasten wenn diese geschlossen und verriegelt sind, sie könnten sonst Schaden nehmen.

Die Aufstellung der Maschine sollte in geschlossenen Räumen erfolgen, tischlerübliche Bedingungen in der Werkstatt sind dabei ausreichend.

Die Aufstellfläche muss ausreichend eben und belastungsfähig sein. Die Maschine kann bei Bedarf auf der Aufstellfläche befestigt werden.

5.2 Montage

Wenn Sie beim Auspacken einen Transportschaden feststellen benachrichtigen Sie umgehend Ihren Händler, nehmen Sie das Gerät nicht in Betrieb!

Entsorgen Sie die Verpackung bitte umweltgerecht.

Entfernen Sie das Rostschutzfett mit einem milden Lösungsmittel.

5.3 Elektrischer Anschluss

Der kundenseitige Netzanschluss sowie die verwendeten Verlängerungsleitungen müssen den Vorschriften entsprechen. Verwenden Sie nur Anschlussleitungen mit Kennzeichnung H07RN-F.

Die bauliche Absicherung muss 16A betragen.

Beachten Sie dass die Netzspannung mit den Leistungsschilddaten der Maschine übereinstimmt.

Anschlüsse und Reparaturen der elektrischen Ausrüstung dürfen nur von einer Elektrofachkraft durchgeführt werden.

ACHTUNG:

-Vor dem Start der Maschine, prüfen Sie den freien Lauf der Hobelwelle und das Vorhandensein aller Sicherheitseinrichtungen.

- Bei falscher Drehrichtung ist der Phasenwender des CCE-Steckers gedrückt um 180° zu drehen.

(Siehe Drehrichtungspfeil an der Maschine für richtigen Lauf).

5.4 Absaug Anschluss

Die Maschine muss vor der Inbetriebnahme an eine Absaugung angeschlossen werden und zwar derart, dass sich beim Einschalten der Bandsägemaschine die Absaugung selbsttätig mit einschaltet.

Die Mindestluftgeschwindigkeit am Absaugstutzen muss 20 m/s betragen. Absaugschläuche müssen der Qualität „schwer entflammbar“ entsprechen und in die Erdung der Maschine mit einbezogen werden.

5.5 Inbetriebnahme

Mit dem grünen Ein-Taster am Hauptschalter kann die Maschine gestartet werden: Mit dem roten Aus-Taster kann die Maschine stillgesetzt werden.

Der Not-Aus Taster stoppt ebenfalls alle Maschinenfunktionen.

Der Dickenvorschub kann mit dem Hebel (L, Fig 2) dazu- und weggeschaltet werden.

Bei Überlastung schaltet die Maschine selbsttätig ab.

Nach einer Abkühlzeit von ca. 10 Minuten lässt sich die Maschine wieder einschalten.

6. Betrieb der Maschine

Der Wechsel von Abrichten auf Dickenhobeln und zurück darf nur bei absolutem Maschinenstillstand vorgenommen werden.

6.1 Abrichten und Fügen

Richtige Arbeitsstellung:

Stellen Sie sich seitlich versetzt neben den Aufgabetisch (Fig 4)

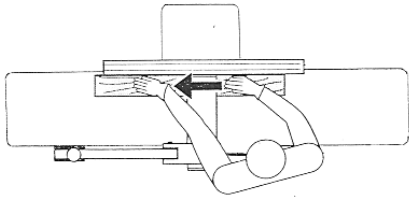


Fig 4

Werkstückhandhabung:

Werkstück gerade über den Aufgabetisch schieben. Dabei die Finger geschlossen halten und mit der flachen Hand Führen.

Fassen Sie mit den Händen niemals unter den Messerschutz.

Halten Sie immer ausreichend Abstand zur Hobelwelle.

Führen Sie ein Werkstück nicht über die offen laufende Hobelwelle zurück.

Hobeln Sie Werkstücke stets über die volle Werkstücklänge.

Die Spanabnahme mit dem Zustellhebel (G) einstellen.

Klemmung (F) während der Verstellung lösen.

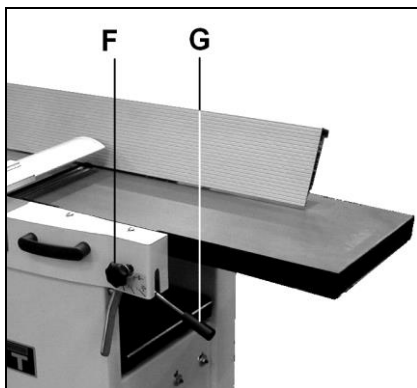


Fig 5

Lange Werkstücke (länger als Abrichttische) durch Rollenböcke oder Tischverlängerungen abstützen.

Hobeln von Breitseiten mit einer Werkstücke bis zu 75mm Höhe:

Werkstück an den Werkstückanschlag anlegen.

Die Höhe des Messerschutzes an das Werkstück anpassen. Beim Führen des Werkstücks gleiten die Hände über den Messerschutz hinweg (Fig5).

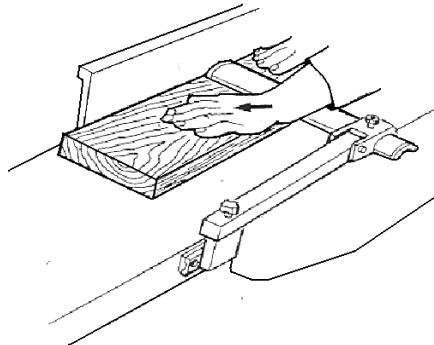


Fig 6

Hobeln von Schmalseiten (Fügen) und Werkstücke über 75mm Höhe:

Werkstück an den Werkstückanschlag anlegen.

Den Messerschutz seitlich an das Werkstück anstellen (Fig 7).

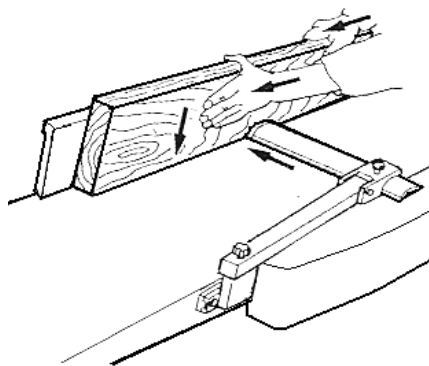


Fig 7

Anschrägen und Fasen am Anschlag:

Werkstück an den Werkstückanschlag anlegen.

Den Messerschutz seitlich an das Werkstück anstellen (Fig 8).

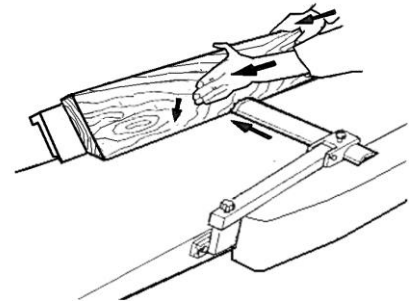


Fig 8

Hobeln von schmalen Leisten:

Zum sicheren Führen von schmalen Leisten ist ein Hilfsanschlag anzubringen (Fig 9).

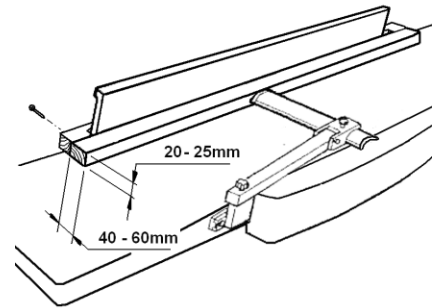


Fig 9

Arbeitshinweise:

Die Abrichttische sind ab Werk genau eingestellt. Abrichttische nur belasten wenn diese geschlossen und zum Gehäuse verriegelt sind, sie könnten sonst Schaden nehmen.

Nur mit scharfen Hobelmessern arbeiten!

Suchen Sie Werkstücke nach Fremdkörpern (Nägel, Schrauben) und lösen Ästen ab.

Werkstück mit dem dickeren Ende voraus führen, hohle Seite unten.

Werkstück nach Möglichkeit längs zum Faserverlauf hobeln.

Die Oberflächenqualität ist besser wenn in mehreren Durchgängen jeweils weniger Material abgenommen wird.

Maschine ausschalten, wenn nicht unmittelbar weitergearbeitet werden soll. Die Messerwelle mit dem Messerschutz abdecken.

Zum Abrichten und Fügen kurzer Werkstücke müssen Schiebehölzer oder Werkstückhalter benutzt werden. Diese müssen an die Werkstücke angepasst sein.

Zur bestimmungsgemäßen Verwendung der Maschine beachten Sie auch den Anhang A "Sicheres Arbeiten" (auf den letzten Seiten der Bedienungsanleitung)

A.1.: Abrichten, Werkstücke dünner als 75mm

A.2.: Fügen

A.3.: Abrichten schmaler Leisten

A.4.: Abrichten kurzer Werkstücke mit Schiebeholz.

6.2 Dickenhobeln

Richtige Arbeitsstellung:

Um das Werkstück in die Maschine einzuführen, stellen Sie sich seitlich versetzt neben die Zuführöffnung.

Werkstückhandhabung:

Stellen Sie den Dickentisch auf Werkstückdicke ein.

Werkstück langsam und gerade einschieben. Das Werkstück wird automatisch eingezogen.

Werkstück gerade durch die Hobelmaschine führen.

Um das Werkstück aus der Maschine zu entnehmen, stellen Sie sich seitlich versetzt neben die Abnahmeöffnung.

Lange Werkstücke durch Rollenböcke abstützen.

Arbeitshinweise:

Nur mit scharfen Hobelmessern arbeiten!

Werkstück mit dem dickeren Ende voraus einführen, hohle Seite unten.

Max. 4,5 mm Spanabnahme. Bleibt das Werkstück stecken Dickentisch um ca. 1mm (1/4 Kurbeldrehung) absenken.

Werkstück nach Möglichkeit längs zum Faserverlauf hobeln.

Die Oberflächenqualität ist besser wenn in mehreren Durchgängen jeweils weniger Material abgenommen wird.

Maschine ausschalten, wenn nicht unmittelbar weitergearbeitet werden soll.

Werkstücke die kürzer als 150mm sind, dürfen nicht bearbeitet werden.

Max. 2 Werkstücke gleichzeitig hobeln. An den beiden Außenseiten zuführen.

Allgemeine Hinweise

Vor Rüst- und Einstellarbeiten muss die Maschine gegen Inbetriebnahme gesichert werden.

Not-Aus Taster drücken, Netzstecker ziehen!

7.1 Wechseln oder Weiterdrehen der HM-Wendeplatten

Achtung:

Die HM-Wendeplatten sind extrem scharf. Beim Arbeiten an der Messerwelle ist Vorsicht geboten.

Wendeplatten-Weiterdrehen:

Die Wendeplatten haben vier scharfe Schneidkanten.

Bei stumpfer Schneidkante die Wendeplatte lösen und 90° gedreht wieder festschrauben.

Zum Lösen und Festschrauben verwenden Sie den gelieferten Torx-Schraubendreher (Fig 10).

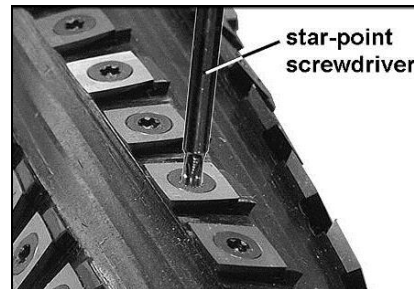


Fig 10

Der zweite Torx-Schraubendreher kann zum Festhalten der Messerwelle verwendet werden.

Es ist ratsam alle Wendeplatten gleichzeitig weiterzudrehen bzw. zu wechseln um ein gleichmäßiges Hobelbild zu erhalten.

Sollte jedoch nur eine der Wendeplatten eine Scharte aufweisen (z. B. durch einen Stein), so genügt es die betroffene Wendeplatte weiterzudrehen bzw. zu wechseln.

Jede Wendeplatte hat eine Markierung, diese dient zur optischen Kontrolle der Weiterdrehung.

Hinweis:

Vor der Montage sind die Wendeplatte, der Plattensitz und die Torx-Schraube von Staub zu befreien.

Vor der Montage die Torx-Schraube leicht ölen (Gewinde in Maschinenöl tauchen).

Stellen Sie sicher dass alle Torx-Schrauben festgezogen sind bevor Sie die Hobelmaschine benutzen.

Lose Wendeplatten können mit hoher Geschwindigkeit von der laufenden Messerwelle wegfliegen und zu Verletzungen führen.

Falsche Wendeplatten, falsch montierte Wendeplatten, stumpfe oder gebrochene Wendeplatten können sich lösen beziehungsweise erhöhen das Risiko von Werkstück-Rückschlägen.

Verwenden Sie nur original JET Austauschsteile.

Die HM-Wendeplatten können nicht nachgeschärft werden.

Torx-Schraubendreher zum Festschrauben nicht verlängern, keine Schläge auf das Werkzeug.

Nach erfolgtem Wenden bzw. Wechseln der Wendeplatten muss die Maschinenhaube geschlossen und wieder verschraubt werden.

Werkstückanschlag und Messerschutz zurückstellen.

7.2 Dickentisch Parallelität

Der Dickentisch ist ab Werk parallel zur Messerwelle eingestellt.

Bei Einstellbedarf:

Trennen Sie die Maschine vom Netz.

Prüfen Sie die Parallelität mit einem Holzblock (B, Fig 11), kurbeln Sie den Tisch (C) dabei vorsichtig nach oben.

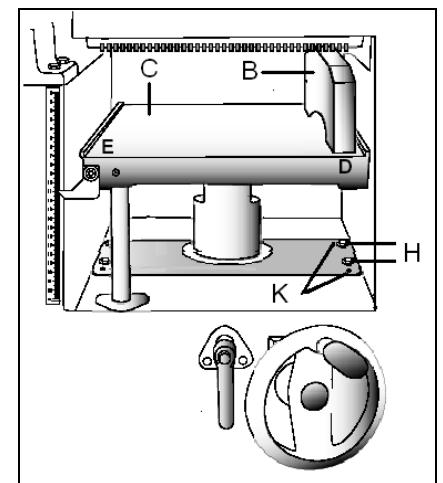


Fig 11

Lösen Sie die Sechskantschrauben (H) an einer Seite und verstellen sie die Gewindestifte (K) nach Bedarf.

Die Sechskantschrauben wieder festziehen.

7. Rüst- und Einstellarbeiten

8. Wartung und Inspektion

Allgemeine Hinweise

Vor Wartungs-, Reinigungs- und Inspektionsarbeiten muss die Maschine gegen Inbetriebnahme gesichert werden.

Netzstecker ziehen!

Reinigen Sie die Maschine in regelmäßigen Zeitabständen.

Prüfen Sie täglich die ausreichende Funktion der Absaugung.

Ersetzen Sie beschädigte Hobelmesser sofort.

Prüfen Sie vor jedem Arbeitsbeginn die Beweglichkeit der Rückschlaggreifer (müssen von selbst zurückfallen).

Beschädigte Sicherheitseinrichtungen sofort ersetzen.

Sämtliche Schutzeinrichtung sofort wieder anbringen.

Anschlüsse und Reparaturen der elektrischen Ausrüstung dürfen nur von einer Elektrofachkraft durchgeführt werden.

Antrieb:

Die Antriebsriemenspannung muss regelmäßig kontrolliert werden.

Motorbremse (JPT-410HH):

Die Motorbremse funktioniert elektromechanisch (Bremsmotor). Sollte die Bremszeit 10 sec. überschreiten muss das Bremsmodul im Motor ersetzt werden.

Setzen Sie sich unverzüglich mit ihrem Jet Kundendienst in Verbindung.

9. Störungsabhilfe

Instandsetzungs-, Reinigungs- und Reparaturarbeiten grundsätzlich nur bei ausgeschaltetem Antrieb und bei gezogenem Netzstecker vornehmen. Sämtliche Schutzeinrichtung sofort wieder anbringen.

Anschlüsse und Reparaturen der elektrischen Ausrüstung dürfen nur von einer Elektrofachkraft durchgeführt werden.

Motor startet nicht

*Kein Strom-Zuleitung und Sicherung prüfen.

*Motor, Schalter oder Kabel defekt-Elektrofachkraft kontaktieren.

*Überlastschutz hat reagiert-Abkühlen lassen und neu starten.

Starke Maschinenvibrationen

*Maschine steht uneben-Ausgleich schaffen.

*HM-Wendeplatte gebrochen oder fehlend-Wendeplatte sofort ersetzen.

Bearbeitete Oberfläche ist schlecht

*HM-Wendeplatten stumpf-Wendeplatten drehen oder ersetzen

*Hobelmesser durch Späne zugesetzt-Späne entfernen.

*Spanabnahme zu hoch-in mehreren Durchgängen hobeln.

*Gegen die Faser gearbeitet-Werkstück von der Gegenrichtung bearbeiten.

*Werkstück inhomogen.

*Werkstück Feuchte zu hoch.

Hobelstufe

*Unzureichende Werkstückführung-Rollbock verwenden.

*HM-Wendeplatten stumpf-Wendeplatten drehen oder ersetzen

*Hobelmesser stehen über-Den Abgabetisch anheben.

*Dickentisch kippt-Säulenführung klemmen.

*Werkstück liegt uneben auf-Werkstück vorher abrichten.

Werkstück uneben

*Dickentisch nicht parallel zur Hobelwelle-Dickentisch parallel einstellen.

Werkstückvorschub gering

*Zu viel Spanabnahme zugestellt-In mehreren Durchgängen hobeln.

*Dickentisch verharzt-Reinigen und Gleitwachs auftragen.

*Vorschubrollen zu rutschig Einzugswalze mit Bürste reinigen Gummiwalze mit Schleifpapier leicht aufrauen.

Abrichttischverstellung schwergängig

*Unzureichende Schmierung-Excenterspindel und Führungen ölen.

Dickentischverstellung schwergängig

*Unzureichende Schmierung-Spindel und Führung ölen.

*Klemmung nicht gelöst-Klemmung lösen.

Hobelleistung gering

*Antriebsriemen rutscht-Riemen nachspannen oder tauschen.

*Tischflächen verharzt-Reinigen und Gleitwachs auftragen.

*HM-Wendeplatten stumpf-Wendeplatten drehen oder ersetzen

10. Umweltschutz

Schützen Sie die Umwelt!

Ihr Gerät enthält mehrere unterschiedliche, wiederverwertbare Werkstoffe.

Bitte entsorgen Sie es nur an einer spezialisierten Entsorgungsstelle.

11. Lieferbares Zubehör

Artikel Nummer 1791212

Set mit 10 Stück 4-fach HM-Wendeplatten

Artikel Nummer 1000291

Digitale Dickenanzeige (Fig 12).



Fig 12

Artikel Nummer 708118

Fahreinrichtung bis 250kg (Fig 13, für JPT-310HH)

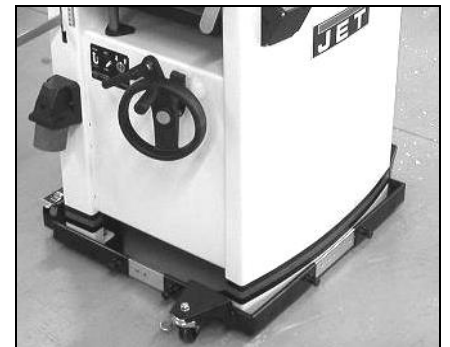


Fig 13

Artikel Nummer 1000296

Fahreinrichtung mit Hubdeichsel (Fig 14, Fig 15)

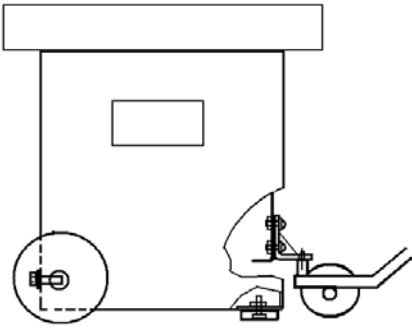


Fig 14



Fig 15

Artikel Nummer 6285917

Schiebegriff

Artikel Nummer 709207

Rollenbock klappbar

12. Sicheres Arbeiten

Siehe Anhang A (auf den letzten
Seiten der Bedienungsanleitung)

A.1.: Abrichten, Werkstücke dünner
als 75mm

A.2.: Fügen

A 3.: Abrichten schmaler Leisten

A 4.: Abrichten kurzer Werkstücke mit
Schiebehholz.

FR - FRANCAIS

Mode d'emploi

Cher client,

Nous vous remercions de la confiance que vous nous portez avec l'achat de votre nouvelle machine JET. Ce manuel a été préparé pour l'opérateur de la raboteuse-dégauchisseuse JET JPT-310HH / JPT-410HH. Son but, mis à part le fonctionnement de la machine, est de contribuer à la sécurité par l'application des procédés corrects d'utilisation et de maintenance. Avant de mettre l'appareil en marche, lire les consignes de sécurité et de maintenance dans leur intégralité. Pour obtenir une longévité et fiabilité maximale de votre scie, et pour contribuer à l'usage sûr de la machine, veuillez lire attentivement ce mode d'emploi et suivre les instructions.

Table des Matières

1. Déclaration de conformité
2. Prestations de garantie
3. Sécurité
Utilisation conforme
Consignes de sécurité
Risques
4. Spécifications
Indications techniques
Emission de bruit
Emission de poussières
Contenu de la livraison
Description de la machine
5. Transport et montage
Transport
Montage
Raccordement au réseau électr.
Racc. collecteur de poussières
Mise en exploitation
6. Fonctionnement de la machine
Dégauchir et jointer
Raboter en épaisseur
7. Réglages
Changement des plaques pivotantes
Parallélisme de la table de rabotage
8. Entretien et inspection
9. Détecteur de pannes
10. Protection de l'environnement
11. Accessoires
12. «travailler sûrement» annexe A

1. Déclaration de conformité

Par le présent et sous notre responsabilité exclusive, nous déclarons que ce produit satisfait aux normes conformément aux lignes directrices indiquées page 2.

Le constructeur a tenu compte des normes** suivantes et d'un contrôle UE *** de **** sur un modèle type.

2. Prestations de garantie

Le vendeur garantit que le produit livré est exempt de défauts de matériel et de fabrication. La présente garantie ne s'applique pas aux défauts résultant d'une utilisation incorrecte directe ou indirecte, de l'inattention, d'un accident, d'une réparation, d'une maintenance ou d'un nettoyage insuffisant, ou encore de l'usure normale.

Il est possible de faire valoir des prétentions en garantie dans les 12 mois suivant la date de la vente (date de la facture). Toute autre prétention est exclue.

La présente garantie comprend toutes les obligations de garantie incombant au vendeur et remplace toutes les déclarations et conventions antérieures en termes de garanties.

Le délai de garantie s'applique pour une durée d'exploitation de huit heures par jour. Au-delà, le délai de garantie diminue proportionnellement au dépassement, mais pas en deçà de trois mois.

Le renvoi d'une marchandise faisant l'objet d'une réclamation requiert l'accord préalable exprès du vendeur et s'effectue aux frais et aux risques de l'acheteur.

Les prestations de garantie détaillées figurent dans les Conditions générales (CG). Ces dernières sont disponibles sur www.jettools.com ou peuvent être envoyées par la poste sur demande.

Le vendeur se réserve le droit de modifier à tout moment le produit et les accessoires.

3. Sécurité

3.1 Utilisation conforme

Cette machine convient au rabotage du bois et des dérivés du bois. Le travail d'autres matériaux est interdit et ne peut être effectué que dans des cas spéciaux et après accord du fabricant de la machine.

La machine n'est pas conçue pour le travail de matériaux métalliques.

La pièce doit se laisser poser et guider sans problème.

L'utilisation conforme implique le strict respect des instructions de service et de maintenance indiquées dans ce manuel.

La machine doit être exclusivement utilisée par des personnes familiarisées avec le fonctionnement, la maintenance et la remise en état, et qui sont informées des dangers correspondants.

L'âge requis par la loi est à respecter.

La machine ne doit être utilisée que si elle est techniquement en parfait état.

N'utiliser la machine que si tous les dispositifs de sécurité et de protection sont en place.

N'utiliser la machine que si tous les dispositifs de sécurité et de protection sont en place.

Toutes les directives relatives à la prévention des accidents ainsi que les consignes de sécurité doivent être respectées scrupuleusement.

En cas d'utilisation non conforme de la machine, le fabricant décline toute responsabilité qui est en tel cas rejetée exclusivement sur l'utilisateur.

3.2 Consignes de sécurité

L'utilisation non conforme d'une dégauchisseuse peut être très dangereuse. C'est pourquoi il est important de suivre les conseils d'utilisation et les consignes de préventions des accidents de ce manuel afin d'assurer l'usage correct de cette machine.

Lire attentivement et comprendre ce mode d'emploi avant de monter ou d'utiliser votre appareil.

Conserver à proximité de la machine tous les documents fournis avec l'outillage (dans une pochette en plastique, à l'abri de la poussière, de l'huile et de l'humidité) et veiller à joindre cette documentation si vous cédez l'appareil.

Ne pas effectuer de modification à la machine. Utiliser les accessoires recommandés, des accessoires incorrects peuvent être dangereux.

Chaque jour avant d'utiliser la machine, contrôler les dispositifs de protection et le fonctionnement impeccable.

En cas de défauts à la machine ou aux dispositifs de protection avertir les personnes compétentes et ne pas utiliser la machine. Déconnecter la machine du réseau.

Avant de mettre la machine en marche, retirer cravate, bagues, montre ou autres bijoux et retrousser les manches jusqu'aux coudes. Enlever tous vêtements flottants et nouer les cheveux longs.

Porter des chaussures de sécurité, surtout pas de tenue de loisirs ou de sandales.

Porter équipement de sécurité personnel pour travailler à la machine.

- des lunettes protectrices,
- une protection acoustique
- une masque anti poussier.

Ne pas porter **de gants**.

Lire attentivement dans ce mode d'emploi le chapitre „travailler sûrement“.

Le temps de freinage de la machine ne doit pas dépasser 10 secondes.

Pour enlever les pièces coincées attendre que le moteur ne marche plus et que la machine soit complètement en arrêt.

Placer la machine de sorte à laisser un espace suffisant pour la manoeuvre et le guidage des pièces à usiner.

Veiller à un éclairage suffisant.

Placer la machine sur un sol stable et plat.

S'assurer que le câble d'alimentation ne gêne pas le travail ni ne risque de faire trébucher l'opérateur.

Conserver le sol autour de la machine propre, sans déchets, huile ou graisse.

Prêter grande attention à votre travail et rester concentré.

Eviter toute position corporelle anormale.

Veiller à une position stable et garder un bon équilibre à tout moment.

Ne pas travailler sous l'influence de drogues, d'alcool ou de médicaments.

Eloigner de la machine toutes personnes incompetentes, surtout les enfants.

Ne jamais mettre les mains dans la machine en marche.

Ne pas enlever les copeaux et les pièces usinées avant que la machine ne soit à l'arrêt.

Ne jamais laisser la machine en marche sans surveillance. Arrêter la machine avant de quitter la zone de travail.

Ne pas mettre la machine à proximité de liquides ou de gaz inflammables. Tenir compte des possibilités de prévention et de lutte contre les incendies, par ex. lieu et utilisation des extincteurs.

Préserver la machine de l'humidité et ne jamais l'exposer à la pluie.

Utiliser un collecteur de poussières afin d'éviter une production de poussières trop élevée. La poussière de bois est explosive et peut être nocive pour la santé. Les poussières de certains bois exotiques et de bois durs, tels que le hêtre et le chêne sont classées comme étant cancérigènes.

Retirer les clous et autres corps étrangers de la pièce avant de débiter l'usinage.

Ne jamais mettre la machine en service sans les dispositifs de protection – risque de blessures graves!

La butée de pièce doit toujours être correctement fixée.

Toujours garder une distance suffisante à l'arbre.

Utiliser le guide de dégauchisseuse pour dégauchir une tranche étroite et bien mener la pièce.

Pour dégauchir une pièce fine ou étroite, utiliser un guide additionnel, pour que vos mains gardent une distance suffisante à l'arbre.

Couvrir la partie de l'arbre, qui n'est pas couverte par la pièce, avec la protection de lame.

Adapter la protection de lame précisément aux dimensions de la pièce.

Ne jamais mettre les mains en guidant la pièce au-dessous de la protection de lame!

Ne pas travailler de pièces qui ne peuvent pas être posées sur la table en toute sécurité.

Pour raboter des pièces inférieures à 200 mm, des dispositifs auxiliaires (p.ex. plaque coulissante) sont nécessaires.

Ne pas raboter de pièces qui ne peuvent pas être tenues correctement en gardant une distance de sécurité à l'arbre.

Ne jamais ramener une pièce sur l'arbre ouvert.

Se tenir aux spécifications concernant la dimension maximale ou minimale de la pièce à usiner.

Ne pas enlever les copeaux et les pièces usinées avant que la machine ne soit à l'arrêt.

Raboter toujours la pièce sur sa longueur totale, en passage continu.

Utiliser toujours des lames bien affilées.

Pour les pièces longues, utiliser des supports roulants devant et derrière la machine.

Tenir les surfaces des tables propres, surtout éliminer les résidus de résine.

Les grappins du protecteur contrecoup doivent retourner automatiquement dans leur position normale (vers le bas).

Ne jamais mettre les mains dans la machine en marche pour mener ou enlever une pièce.

Utiliser des dispositifs auxiliaires (plaque coulissante), pour raboter des petites pièces dans la machine. Les pièces doivent toutefois avoir une longueur minimale de 150mm.

Raboter au maximum deux pièces en même temps.

Pour raboter des surfaces qui ne sont pas parallèles, utiliser des chargeurs appropriés (faire des chargeurs sur mesure).

Tous travaux de branchement et de réparation sur l'installation électrique doivent être exécutés uniquement par un électricien qualifié.

Remplacer immédiatement tout câble endommagé ou usé.

Faire tous les travaux de réglage ou de maintenance seulement après avoir débranché la machine du réseau.

3.3 Risques

Même en respectant les directives et les consignes de sécurité les risques suivants existent.

Contact avec l'arbre dans la zone coupe. Pour une protection efficace toujours adapter la protection des lames à la dimension de la pièce.

Danger d'éjection. La pièce s'accroche à l'arbre en rotation et est éjectée vers l'utilisateur.

Danger de pièces éjectées.

Danger d'entraînement par avance automatique.

Danger d'écrasement par sortie automatique des pièces.

Risque de nuisance par poussières de bois, copeaux et bruit.

Porter équipements de sécurité personnels tel que lunettes, cache-visage pour travailler à la machine. Utiliser un collecteur de poussières!

Danger par câble électrique endommagé, usé ou mal branché.

4. Spécifications

4.1 Indications techniques

JPT-310HH:

Dégauchissage

Largeur	max 307 mm
Longueur table	1400mm
Distance table/sol	850mm
Butée de pièce	1100 x 150mm
Zone d'inclinaison	0 - 45°
Épaisseur	max.3 mm

Rabotage

Largeur de rabotage	max 307 mm
Passage	4 - 225 mm
Longueur de table	540mm
Longueur min pièce	150mm
Vitesse d'avance	3.5 m/min(230V)
Vitesse d'avance	7 m/min(400V)
Épaisseur rabotage	max. 4,5 mm

Nombre de fers

56 plaquettes pivotantes quadruples en acier dur (HM)	
Diamètre de l'arbre	72 mm
Vitesse de l'arbre n _o	5500 T/min

Buse d'aspiration 100mm

Dimensions de la machine (Lxlxh)
1400x750x1000mm

Poids net 230 kg

Voltage	230V ~1/N/PE 50Hz
Puissance	2,2 kW (3 CV) S1
Courant électrique	12,5 A
Raccordement	(H07RN-F)3x1,5mm ²
Fusible du secteur électr.	16A

Voltage	400V ~3/PE 50Hz
Puissance	2,2 kW (3 CV) S1
Courant électrique	5 A
Raccordement	(H07RN-F)4x1,5mm ²
Fusible du secteur électr.	16A

JPT-410HH:

Dégauchissage

Largeur	max 407 mm
Longueur table	1660mm
Distance table/sol	850mm
Butée de pièce	1100 x 150mm
Zone d'inclinaison	0 - 45°
Épaisseur	max.3 mm

Rabotage

Largeur de rabotage	max 407 mm
Passage	4 - 225 mm
Longueur de table	600mm
Longueur min pièce	150mm
Vitesse d'avance	7 m/min(400V)
Épaisseur rabotage	max. 4,5 mm

Nombre de fers

72 plaquettes pivotantes quadruples en acier dur (HM)	
Diamètre de l'arbre	72 mm
Vitesse de l'arbre n _o	5500 T/min

Buse d'aspiration 120mm

Dimensions de la machine (Lxlxh)
1660x870x1000mm

Poids net 315 kg

Voltage	230V ~1/N/PE 50Hz
Puissance	2,2 kW (3 CV) S1
Courant électrique	13 A
Raccordement	(H07RN-F)3x1,5mm ²
Fusible du secteur électr.	16A

Voltage	400V ~3/PE 50Hz
Puissance	3 kW (4 CV) S1
Courant électrique	6 A
Raccordement	(H07RN-F)4x1,5mm ²
Fusible du secteur électr.	16A

4.2 Emission de bruit

Indications selon EN 861
(incertitude de mesure 4 dB)

Pièce sapin:

l=100mm, L=1000mm, humidité 8,5%

Dégauchissage:

Puissance sonore (selon EN ISO 3746):	
Marche à vide	LwA 81,7 dB(A)
Usinage	LwA 94,3 dB(A)

Niveau de pression sonore

(selon EN ISO 11202):

Marche à vide	LpA 72,1 dB(A)
Usinage	LpA 85,9 dB(A)

Rabotage:

Puissance sonore (selon EN ISO 3746):	
Marche à vide	LwA 80,7 dB(A)
Usinage	LwA 87,8 dB(A)

Niveau de pression sonore

(selon EN ISO 11202)

Zone de travail 1:

Marche à vide	LpA 69,2 dB(A)
Usinage	LpA 85,7 dB(A)

Zone de travail 2:

Marche à vide	LpA 70,0 dB(A)
Usinage	LpA 89,5 dB(A)

Les indications données sont des niveaux de bruit et ne sont pas forcément les niveaux pour un travail sûr.

Bien qu'il existe un rapport entre les niveaux d'émission et la nuisance nous ne pouvons pas savoir si des précautions supplémentaires sont nécessaires.

Le risque de nuisance sur votre zone de travail dépend de différents points comme la durée du travail, la place et l'entourage, le bruit et le nombre des autres machines. De plus le niveau toléré peut varier dans les différents pays.

Cette information est tout de même importante, ainsi l'utilisateur peut estimer les dangers et les risques possibles.

4.3 Emission de poussière

L'émission de poussière de la raboteuse-dégauchisseuse a été évaluée.

JPT-310HH:

A une vitesse d'air de 20 m/s à la buse d'aspiration d'un diamètre 100mm:
Pression diminuée 900 Pa
Volume 565 m³/h

JPT-410HH:

A une vitesse d'air de 20 m/s à la buse d'aspiration d'un diamètre 120mm:
Pression diminuée 950 Pa
Volume 810 m³/h

Ainsi une paramètre de concentration de 2 mg/m³ est assuré.

4.4 Contenu de la livraison

Raboteuse-dégauchisseuse
Butée de pièce
Protège lame
5 plaquettes pivotantes quadruples de rechange
10 vis TORX de rechange
2 tournevis TORX
Mode d'emploi
Liste pièces de rechange

4.5 Description de la machine

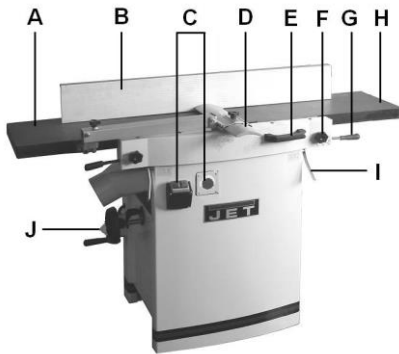


Fig 1

A....Table de sortie
B....Butée de pièce
C....Interrupteur marche/arrêt,
Bouton d'arrêt d'urgence
D....Protège lame
E.....Poignée de pivotement
F....Blocage de table
G....Poignée de réglage de table
H....Table d'entrée
I....Verrouillage du corps de table
J.....fiche de secteur

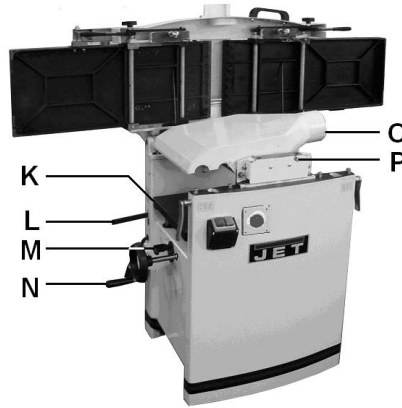


Fig 2

K.... Table de rabotage
L.... Levier d'avance marche/arrêt
M....Blocage table de rabo
N....Volant de réglage table rabotage
O.....Pipe d'éjection des copeaux
P.....Déverrouillage de pipe d'éjection

5. Transport et mise en exploitation

5.1. Transport

Pour le transport utiliser un chariot élévateur. Transporter la machine de manière à ce qu'elle ne puisse pas tomber.

Retirer les vis de fixation et faire glisser la machine de la palette avec précaution.

ATTENTION:

Les tables de dégauchisseuses sont réglées avec précisions au départ usine. Il ne faut y poser des charges que lorsqu'elles sont fermées et verrouillées, sinon elles peuvent subir des dommages.

Effectuer le montage de la machine dans un local fermé ou un atelier respectant les conditions de menuiserie.

Placer la machine sur une surface stable et plane. La machine peut aussi être fixée à la surface.

5.2 Montage

Déballer la machine. Avertir JET immédiatement si vous constatez des pièces endommagées par le transport et ne pas monter la machine.

Eliminer l'emballage dans le respect de l'environnement.

Enlever la protection antirouille avec un dissolvant.

5.3 Raccordement au réseau électr.

Le raccordement ainsi que les rallonges utilisées doivent correspondre aux instructions.

Le voltage et la fréquence doivent être conformes aux données inscrites sur la machine.

Utiliser pour le raccordement des câbles H07RN-F.

Le fusible de secteur électrique doit avoir 16A.

Tous travaux de branchement et de réparation sur l'installation électrique doivent être exécutés uniquement par un électricien qualifié.

ATTENTION:

-Avant de mettre la machine en marche, vérifier que l'arbre du rabot tourne librement et que tous les dispositifs de sécurité sont bien en place.

- En cas de mauvais sens de rotation, appuyer sur l'inverseur de phase du connecteur CCE et le tourner à 180°.

(La flèche sur la machine indique le sens de rotation exact).

5.4 Racc. collecteur de poussières

Avant la mise en exploitation connecter la machine à un collecteur de poussières de manière à ce que le collecteur se mette en marche automatiquement avec votre dégauchisseuse.

Vitesse minimale de l'aspiration à la buse 20 m/s.

N'utiliser que des tuyaux d'aspiration de la qualité „difficilement inflammables“ et intégrer les tuyaux dans la mise à la terre de la machine.

5.5 Mise en exploitation

Mettre la machine en route avec le bouton vert sur l'interrupteur principal. Arrêter la machine avec le bouton rouge.

Le bouton d'arrêt d'urgence arrête toutes les fonctions de la machine.

L'entraînement du rabot peut être mis en marche et arrêté avec le levier (L, Fig 2).

En cas de surcharge du moteur celui-ci s'arrête automatiquement. Après un refroidissement d'env. 10 minutes presser le bouton de rappel.

6. Fonctionnement de la machine

Le changement de dégauchisseuse en raboteuse et vice versa ne doit être opéré que sur la machine à l'arrêt absolu.

6.1 Dégauchir et jointer

Position de travail:

Debout devant la machine en direction du travail (Fig 3).

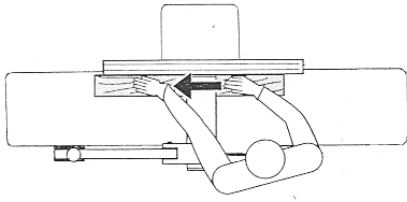


Fig 3

Manoeuvrer les pièces:

Mener la pièce tout droit au-dessus de la table. Garder vos doigts réunis et mener la pièce du plat de la main.

Ne jamais mettre les mains en dessous de la protection de lame!

Toujours garder une distance suffisante à l'arbre.

Ne jamais ramener une pièce sur l'arbre ouvert.

Raboter toujours la pièce sur sa longueur totale, en passage continu.

Ajuster l'épaisseur de rabotage avec le levier de réglage (G).

Desserrer le dispositif (F) pendant le réglage.

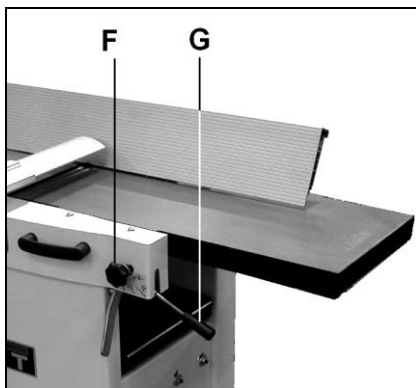


Fig 4

Pour des pièces longues (plus longues que la table) utiliser des supports roulants ou une rallonge de table.

Rabotage de parement et de pièces de hauteur jusqu'à 75mm:

Poser la pièce au guide. Ajuster la hauteur du protège lame à la pièce. En menant la pièce, les mains glissent au-dessus du protège lame (Fig 5).

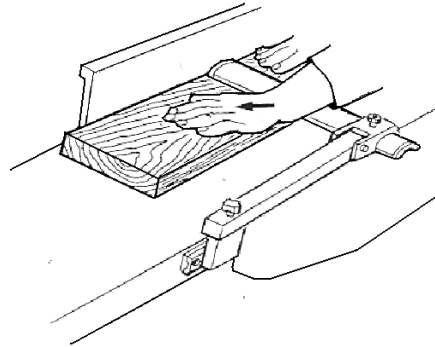


Fig 5

Rabotage d'une tranche et de pièces de hauteur supérieure à 75mm:

Poser la pièce au guide. Mettre le protège lame contre le côté de la pièce (Fig 6).

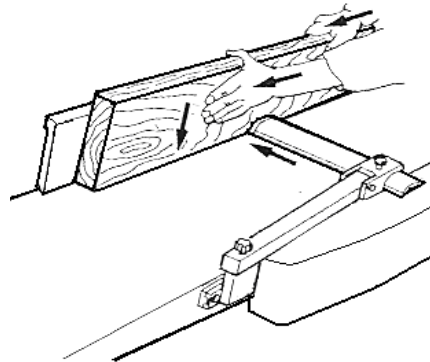


Fig 6

Ebraser et chanfreiner:

Poser la pièce au guide. Mettre le protège lame contre le côté de la pièce (Fig 7).

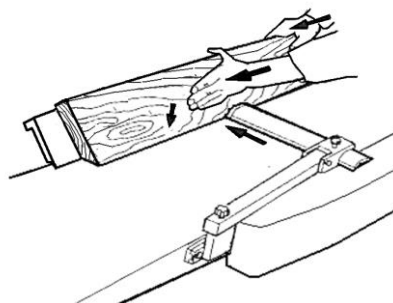


Fig 7

Raboter des baguettes étroites

Pour travailler les pièces étroites en toute sécurité, il faut utiliser une butée auxiliaire (Fig 8).

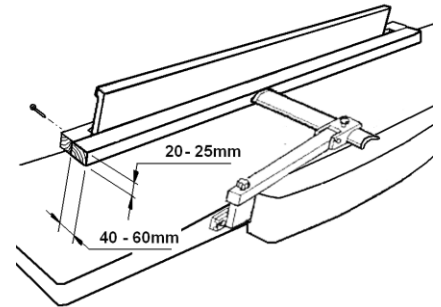


Fig 8

Conseils:

Les tables de dégauchisseuse sont réglées avec précision au départ usine. Il ne faut y poser des charges que lorsqu'elles sont fermées et fixées au corps de la machine, sinon elles peuvent subir des dommages.

Ne travailler qu'avec des lames bien affilées!

Vérifier que les pièces ne comportent pas de clous, ni de vis, ni de branches lâches.

Le bout le plus épais de la pièce passe d'abord dans la machine, le côté creux vers le bas.

Si possible toujours dégauchir la pièce le long du fibrage.

Le résultat du travail est meilleur si vous faites plusieurs passages en rabotant moins de matériel.

Arrêter la machine si vous ne continuez pas le travail. Couvrir l'arbre avec le protège lame.

Pour dégauchir et jointer des pièces courtes, il faut utiliser des poussoirs ou des fixes pièces. Ceux-ci doivent être adaptés aux pièces à usiner.

Pour l'utilisation conforme de la machine voir aussi l'annexe A "travailler sûrement" (dernière page de ce mode d'emploi)

A.1.: Dégauchir, épaisseur de pièce moins de 75mm

A.2.: Rabotage d'une tranche

A.3.: Rabotage d'une latte

A 4.: Dégauchir des pièces courtes avec l'aide d'un poussoir.

6.2 Raboter

Position de travail:

Pour passer une pièce dans la machine, se positionner décalé sur le côté de la table d'entrée.

Manoeuvrer les pièces:

Ajuster la table raboteuse à l'épaisseur de la pièce à usiner. Introduire la pièce doucement et droit dans la machine. La pièce rentre automatiquement. Passer la pièce droit dans la machine. Pour retirer la pièce de la machine, se positionner décalé sur le côté de la table de sortie.

Pour des pièces longues, utiliser des supports roulants.

Conseils:

Ne travailler qu'avec des lames bien affilées!

Le bout le plus épais de la pièce passe d'abord dans la machine, le côté creux vers le bas.

Epaisseur de rabot max. 4,5 mm. Si votre pièce reste coincée, abaisser la table raboteuse d'env. 1mm (manivelle).

Si possible toujours raboter la pièce le long du fibrage.

Le résultat du travail est meilleur si vous faites plusieurs passages en rabotant moins de matériel.

Arrêter la machine si vous ne continuez pas le travail.

Ne pas usiner une pièce de longueur inférieure à 150mm.

Raboter au max. 2 pièces en même temps. Les passer des deux côtés extérieurs.

7. Réglages

Attention

Faire tous les travaux de maintenance ou de réglage après avoir débranché la machine du réseau.

Pousser le bouton d'arrêt d'urgence !

7.1 Changement ou pivotement des plaques pivotantes en acier dur (HM)

IMPORTANT

Les plaques pivotantes en acier HM sont extrêmement coupantes Il faut faire très attention en travaillant sur l'arbre à fers.

Pivotement des plaques pivotantes:

Les plaques pivotantes ont quatre arrêtes coupantes.

Si les arrêtes sont émoussées, débloquent les plaques pivotantes, les faire pivoter de 90° et les resserrer.

Pour desserrer et serrer, utiliser un tournevis TORX livré avec la machine (Fig 10).

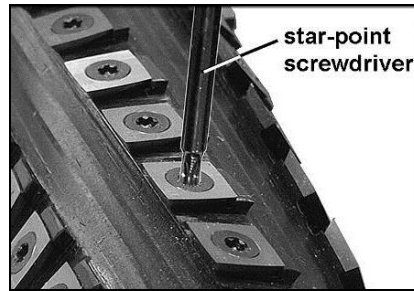


Fig 10

Le deuxième tournevis TORX peut être utilisé pour maintenir l'arbre à fers.

Il est conseillé de faire pivoter ou bien de changer toutes les plaques pivotantes en même temps afin d'obtenir un résultat de rabotage régulier,

Au cas où une seule plaque ait une brèche (par ex. par une pierre), il suffit de faire pivoter ou bien de changer la plaque concernée.

Chaque plaque pivotante possède un repère qui permet de contrôler optiquement le pivotement.

Remarque:

Avant le montage, il faut éliminer les poussières des plaques pivotantes, de leur logement et des vis TORX.

Avant le montage, huiler légèrement les vis TORX (plonger le filetage dans de l'huile de machine).

Bien vérifier que toutes les vis TORX sont bien serrées, avant d'utiliser la raboteuse.

Des plaques desserrées peuvent, à grande vitesse, être éjectées de l'arbre à fers en rotation et provoquer des blessures.

Les plaques pivotantes non-conformes, mal montées, émoussées ou cassées peuvent se détacher, le cas échéant, augmenter les risques de retour de pièces.

N'utiliser que des pièces de rechange originales JET.

Les plaques pivotantes en acier dur (HM) ne peuvent pas être aiguisées.

Pour visser, ne jamais rallonger les tournevis TORX, ne pas donner de coups sur l'outil.

Après avoir fait pivoter ou bien changé les plaques pivotantes, il faut toujours refermer et revisser le capot de la machine.

Repositionner le guide et le protège lame.

7.2 Parallélisme de la table de rabotage

La table de rabotage est réglée au départ usine parallèlement à l'arbre des fers.

Si un réglage est nécessaire: Déconnecter la machine du réseau

Inspecter le parallélisme avec un bloc à bois (B, Fig11), enlever la table avec prudence.

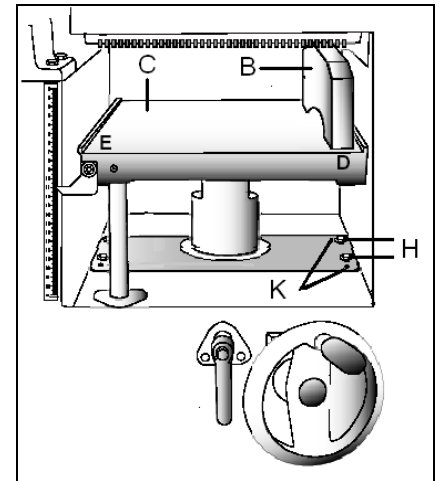


Fig 11

Desserrer les vis hexagonales (H) sur une côté et tourner les goupilles (K) si nécessaire.

Reserrer les vis hexagonales.

8. Entretien et inspection

Attention

Faire tous les travaux de maintenance, réglage ou nettoyage après avoir débranché la machine du réseau!

Nettoyer la machine régulièrement.

Vérifier chaque jour le fonctionnement impeccable du collecteur de poussières.

Remplacer immédiatement une lame endommagée ou usée.

Avant de commencer le travail, vérifier le libre fonctionnement des barres de contre-pression (doivent retomber automatiquement).

Remplacer immédiatement les dispositifs de protection endommagés.

Réinstaller immédiatement les dispositifs de protection.

Tous les travaux de branchement et de réparation sur l'installation électrique doivent être uniquement exécutés par un électricien qualifié.

Entraînement:

Contrôler régulièrement la tension de la courroie.

Frein moteur (JPT-410HH):

Le frein du moteur fonctionne par électromécanisme (moteur à frein). Contacter JET ou un de nos services si le temps de freinage dépasse 10 sec.

9. Détecteur de pannes

Faire tous les travaux de maintenance, réglage ou nettoyage après avoir débranché la machine du réseau!

Réinstaller les dispositifs de protection immédiatement.

Tous travaux de branchement et de réparation sur l'installation électrique doivent être exécutés uniquement par un électricien qualifié.

Moteur ne se met pas en route

*Pas de courant-
Vérifier le voltage.

*Défaut au moteur, bouton ou câble-
Contacter un électricien qualifié.

*Réaction de surcharge-
Laisser refroidir et redémarrer.

Vibration violente de la machine

*La machine n'est pas sur un sol plat-
Repositionner la machine.

*Plaques pivotantes en acier dur (HM) cassées ou manquantes -
Remplacer tout de suite les plaques pivotantes.

Surface travaillée pas nette

* Plaques pivotantes en acier dur (HM) émoussées -
Faire pivoter les plaques ou les changer

*Trop de copeaux sur la lame-
Enlever les copeaux.

*Épaisseur de rabot trop grande-
Dégauchir en plusieurs passages.

*Travailler contre le fibrage-
Usiner la pièce dans l'autre sens.

*Pièce non-homogène.

*Pièce trop humide.

Echelon de dégauchissage

*Avancement de la pièce insuffisant-
Utiliser un support roulant.

* Plaques pivotantes en acier dur (HM) émoussées -
Faire pivoter les plaques ou les changer

*Lames débordent-
Soulever la table de sortie.

*La pièce n'est pas à plat-
Au préalable dégauchir la pièce.

Pièce déformée

*Table de rabotage pas parallèle-
Régler la table (voir 7.2).

Avance de la pièce traînant

*Copeaux trop épais-
Raboter en plusieurs passages.

*Trop de résidus de résine sur la surface de table-
Nettoyer la table.

*Rouleau glisse trop-
Nettoyer le rouleau d'entrée avec une brosse
Gratter légèrement avec un papier-
émeri.

Table de dégauchisseuse difficile à installer

*Graissage insuffisant-
Graisser la broche excentrée et les glissières

Position de rabot difficile à installer

*Graissage insuffisant-
Graisser les broches et le guidage.

*Dispositif de blocage serré-
Desserrer le dispositif .

Puissance faible de la dégauchisseuse

*Courroie du moteur glisse-
Resserrer ou remplacer la courroie.

*Trop de résidus de résine sur la surface de table-
Nettoyer la table.

* Plaques pivotantes en acier dur (HM) émoussées -
Faire pivoter les plaques ou les changer

10. Protection de l'environnement

Protégez l'environnement !

Votre appareil comprend plusieurs matières premières différentes et recyclables. Pour éliminer l'appareil usagé, veuillez l'apporter dans un centre spécialisé de recyclage.

11. Accessoires

Article 1791212

Série de 10 plaques pivotantes quadruples

Article 10000291

Affichage numérique de rabotage (Fig 11).



Fig 11

Article 708118

Dispositif roulant jusqu'à 250kg (Fig 12) pour JPT-310HH

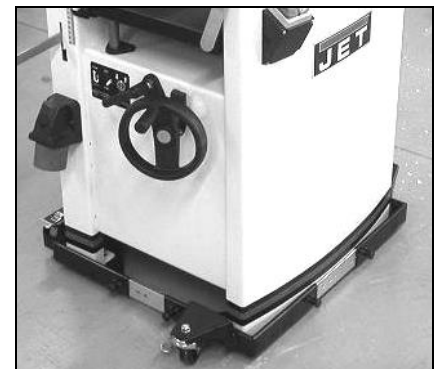


Fig 12

Article 10000296

Kit roulettes avec timon (Fig 14, Fig 15)

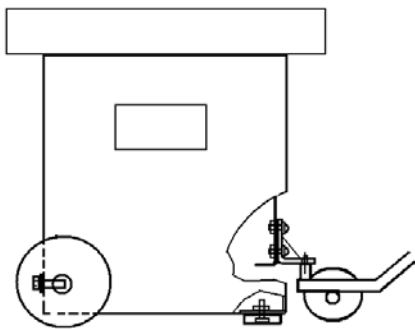


Fig 14



Fig 15

Article 6285917

Chargeur

Article 709207

Servante pliable à rouleaux

12. Travailler sûrement

Voir annexe A (dernière page de ce mode d'emploi)

A.1.: Dégauchir, épaisseur de pièce moins de 75mm

A.2.: Rabotage d'une tranche

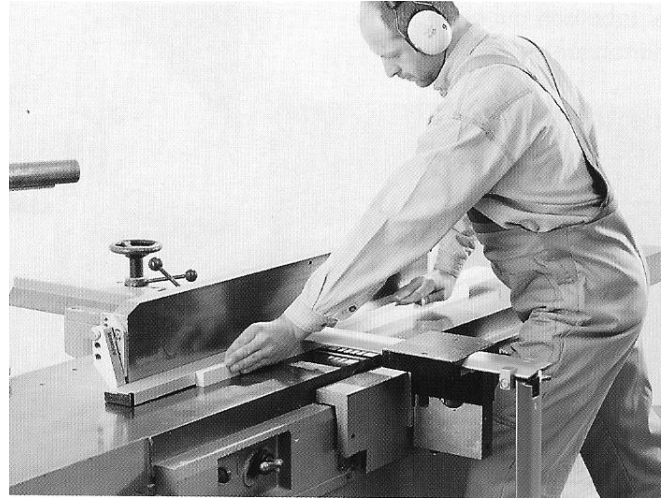
A.3.: Rabotage d'une latte

A.4.: Dégauchir des pièces courtes avec l'aide d'un poussoir.

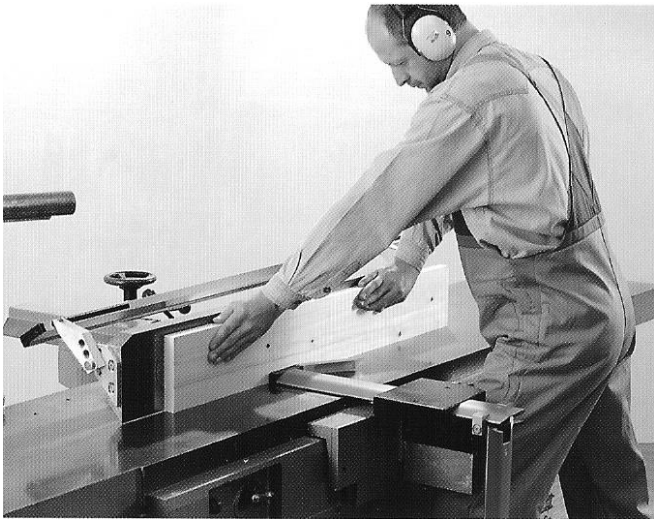
A1



A3



A2



A4



JET

JPT-310HH

PLANER & THICKNESSER

JPT-310HH-M....10000292M.....230/50/1

JPT-310HH-T....10000292T.....400/50/3

PARTS LIST ERSATZTEILLISTE LISTE DE PIECES

Walter Meier (Tool) AG

Tämperlistrasse 5

CH-8117 Fällanden

Switzerland

Phone +41 44 806 47 48

Fax +41 44 806 47 58

jetinfo.eu@waltermeier.com

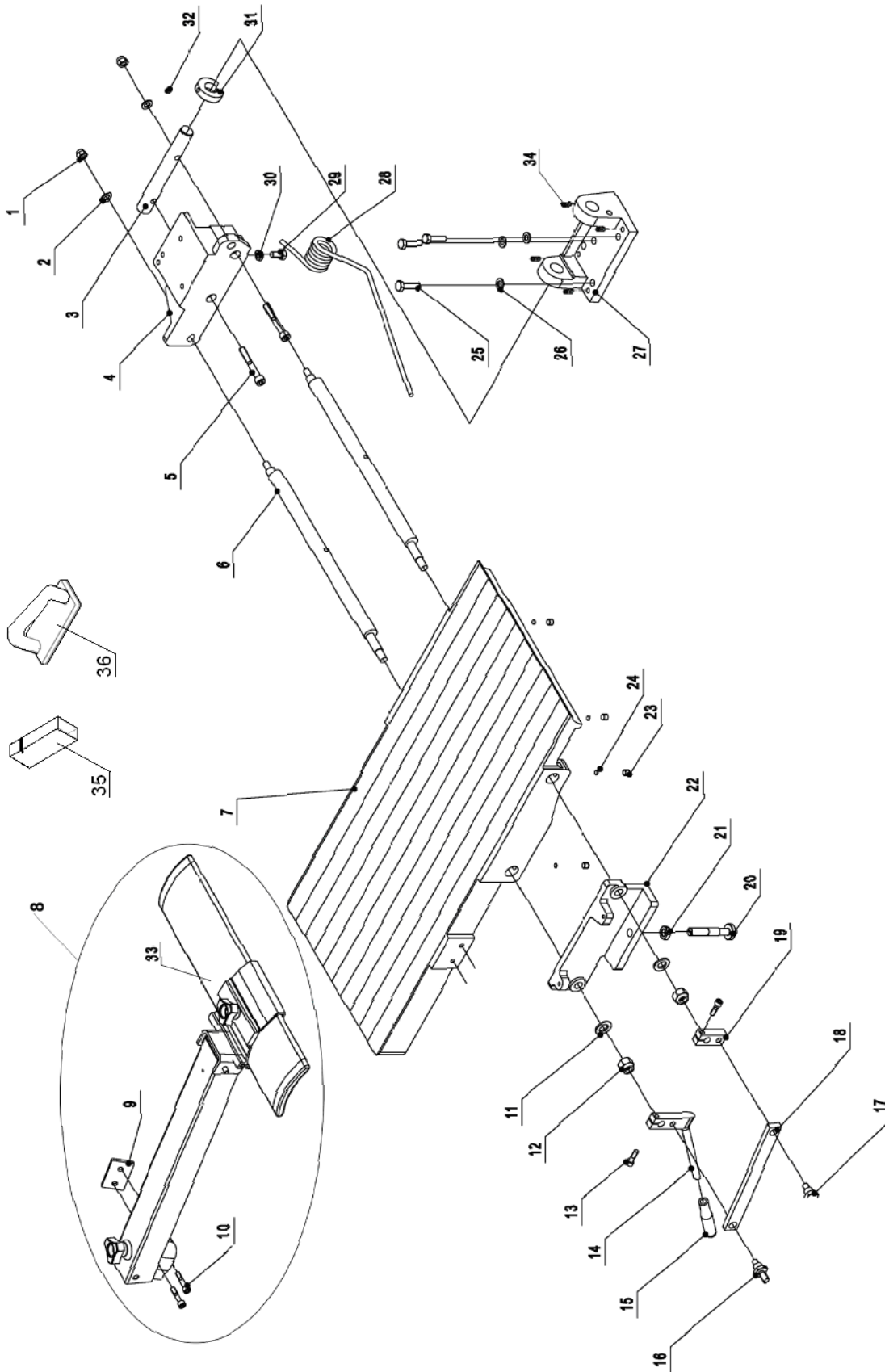
www.jettools.com



P-10000292M/T

2011-02

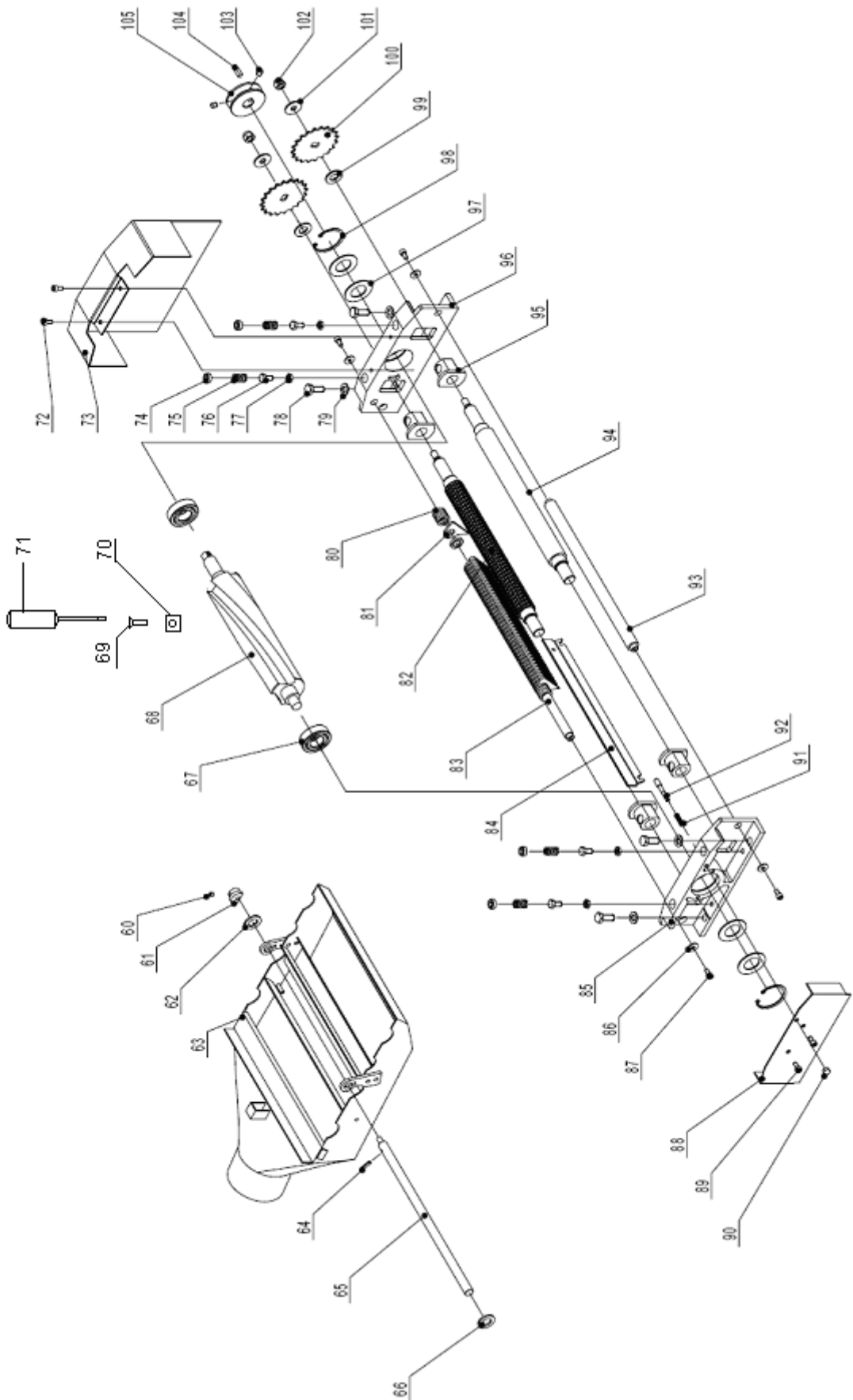
JPT-310HH Cutter Block Guard and Outfeed Assembly



JPT-310HH Cutter Block Guard and Outfeed Assembly

Index No.	Part No.	Description	Size	Qty
1	JPT310-001	Lock nut	M8	4
2	JPT310-002	Washer		4
3	JPT310-003	Outfeed table bracket shaft		1
4	JPT310-004	Outfeed table bracket right		1
5	JPT310-005	Hex. Socket cap screw	M8X60	4
6	JPT310-006	Eccentric shaft		4
7	JPT310-007	Outfeed/Infeed Table		2
8	JPT310-008	Cutterblock guard assembly		1
9	JPT310-009	Cutterblock guard bracket		1
10	JPT310-243	Hex. Socket cap screw	M6X30	2
11	JPT310-011	Washer	H12	4
12	JPT310-012	Lock nut	M12	4
13	JPT310-013	Hex. Socket cap screw	M6X20	4
14	JPT310-014	Adjusting handle		2
15	JPT310-015	Knob		2
16	JPT310-016	Special screw		2
17	JPT310-017	Special screw		2
18	JPT310-018	Eccentric shaft bracket		2
19	JPT310-019	Eccentric shaft clamp		2
20	JPT310-020	Table locking shaft		2
21	JPT310-021	Hex. Nut	M12	2
22	JPT310-022	Outfeed table bracket left		1
23	JPT310-023	Hex. Socket set screw	M8X10	8
24	JPT310-024	Plastic disc	D6	8
25	JPT310-025	Hex. Bolt	M8X30	6
26	JPT310-026	Washer	H8	6
27	JPT310-027	Outfeed table support		2
28	JPT310-028	Spring		2
29	JPT310-029	Hex. bolt	M8X16	2
30	JPT310-030	Hex. nut	M8	3
31	JPT310-031	Big cam wheel for safty switch		1
32	JPT310-032	Hex. Socket set screw	M5X10	1
33	JPT310-033	Cutterblock guard profile w/cap		1
34	JPT310-034	Grub screw	M8	8
35	JPT310-035	Knife gauge		1
36	JPT310-036	Push block		1

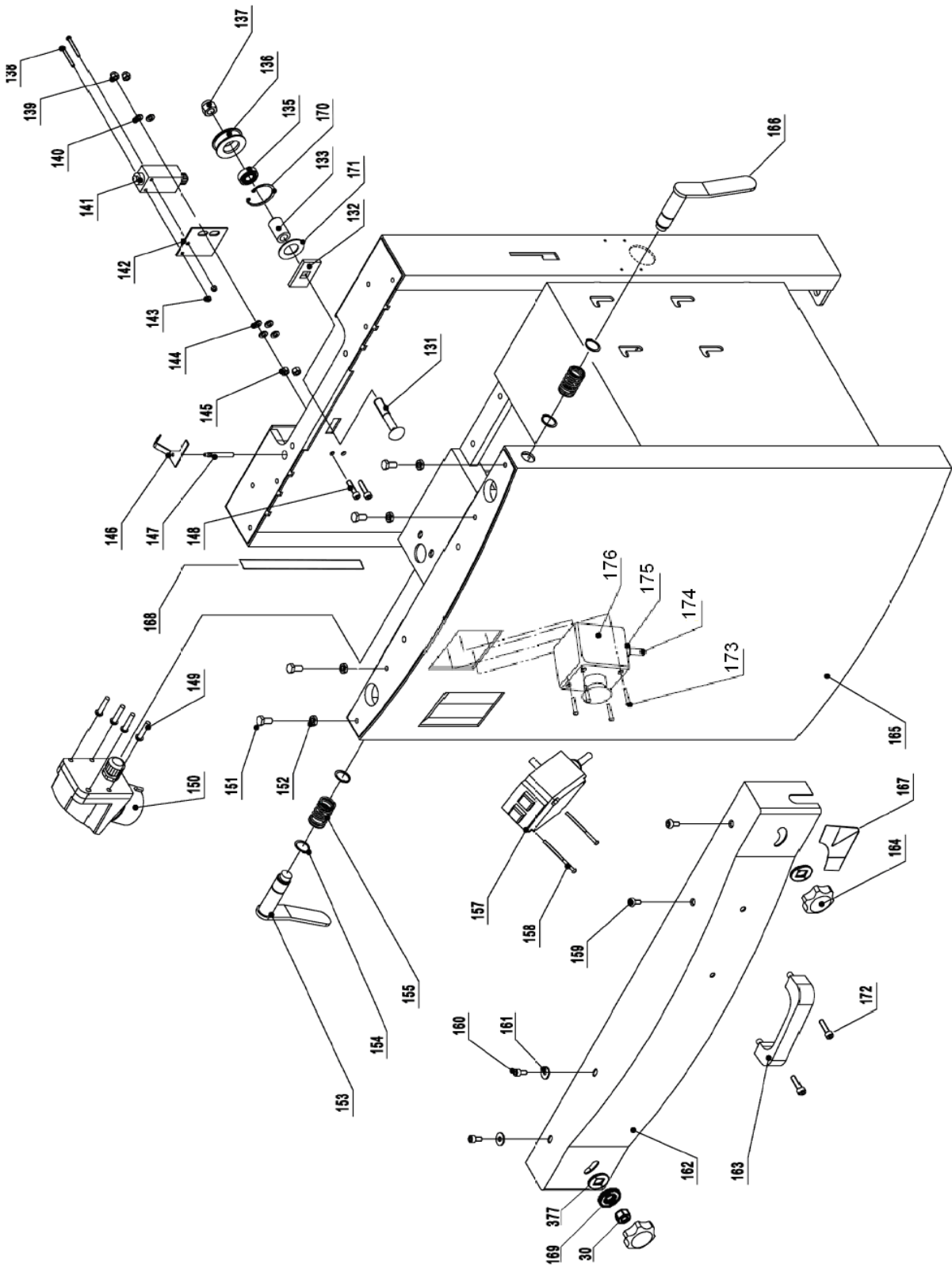
JPT-310HH Cutter Block assembly



JPT-310HH Cutter Block assembly

Index No.	Part No.	Description	Size	Qty
60	JPT310-060	Hex. Socket set screw	M5X10	1
61	JPT310-061	Small cam wheel for safty switch		1
62	JPT310-062	Washer	H16	2
63	JPT310-063	Dust collector assembly		1
64	JPT310-064	Pin roll	N5X18	1
65	JPT310-065	Shaft		1
66	JPT310-066	Washer	H16	2
67	JPT310-067	Bearing BRG6205-ZZCM		2
68	JPT310HH-071CBA	Cutter block complete assembly (68, 69, 70)		1
69	JWP208HH-111	Knife Insert Screw	#10-32 x 1/2"	56
70	1791212	Knife Insert (sold as set of 10)		56
71	JJ6HH-113	Star point screw driver		2
72	JPT310-072	Pan head screw	M6X12	4
73	JPT310-073	Belt cover		1
74	JPT310-074	Screw		4
75	JPT310-075	Spring		4
76	JPT310-076	Hex. bolt	M8X16	4
77	JPT310-077	Hex. nut	M8	4
78	JPT310-078	Hex. bolt	M10X25	4
79	JPT310-079	Washer	H10	4
80	JPT310-080	Adjusting washer		48
81	JPT310-081	Anti-kickback finger		38
82	JPT310-082	Infeed roller		1
83	JPT310-083	Anti-kickback shaft		1
84	JPT310-084	Cutterblock cover		1
85	JPT310-085	Cutterblock bracket-right		1
86	JPT310-086	Washer	M6	4
87	JPT310-087	Hex. Socket cap screw	M6X12	4
88	JPT310-088	Cutterblock bracket cover		1
89	JPT310-089	Pan head screw	M6X12	2
90	JPT310-090	Cap nut	M6	1
91	JPT310-091	Spring		1
92	JPT310-092	Pin stop for Dust collector		1
93	JPT310-093	Support rod		1
94	JPT310-094	Outfeed roller		1
95	JPT310-095	Tube (Powder Metal Bushing)		4
96	JPT310-096	Cutterblock bracket-left		1
97	JPT310-097	Wave washer	D52	2
98	JPT310-098	Retaining ring	CLP52	2
99	JPT310-099	Washer		2
100	JPT310-100	Drive chain sprocket		2
101	JPT310-101	Washer	WSH10	2
102	JPT310-102	Lock nut	M10	2
103	JPT310-103	Hex. Socket set screw	M8X6	2
104	JPT310-104	Key	PLN6X16	1
105	JPT310-105	Spindle pulley		1
106	JPT310-106	Washer	D52	2

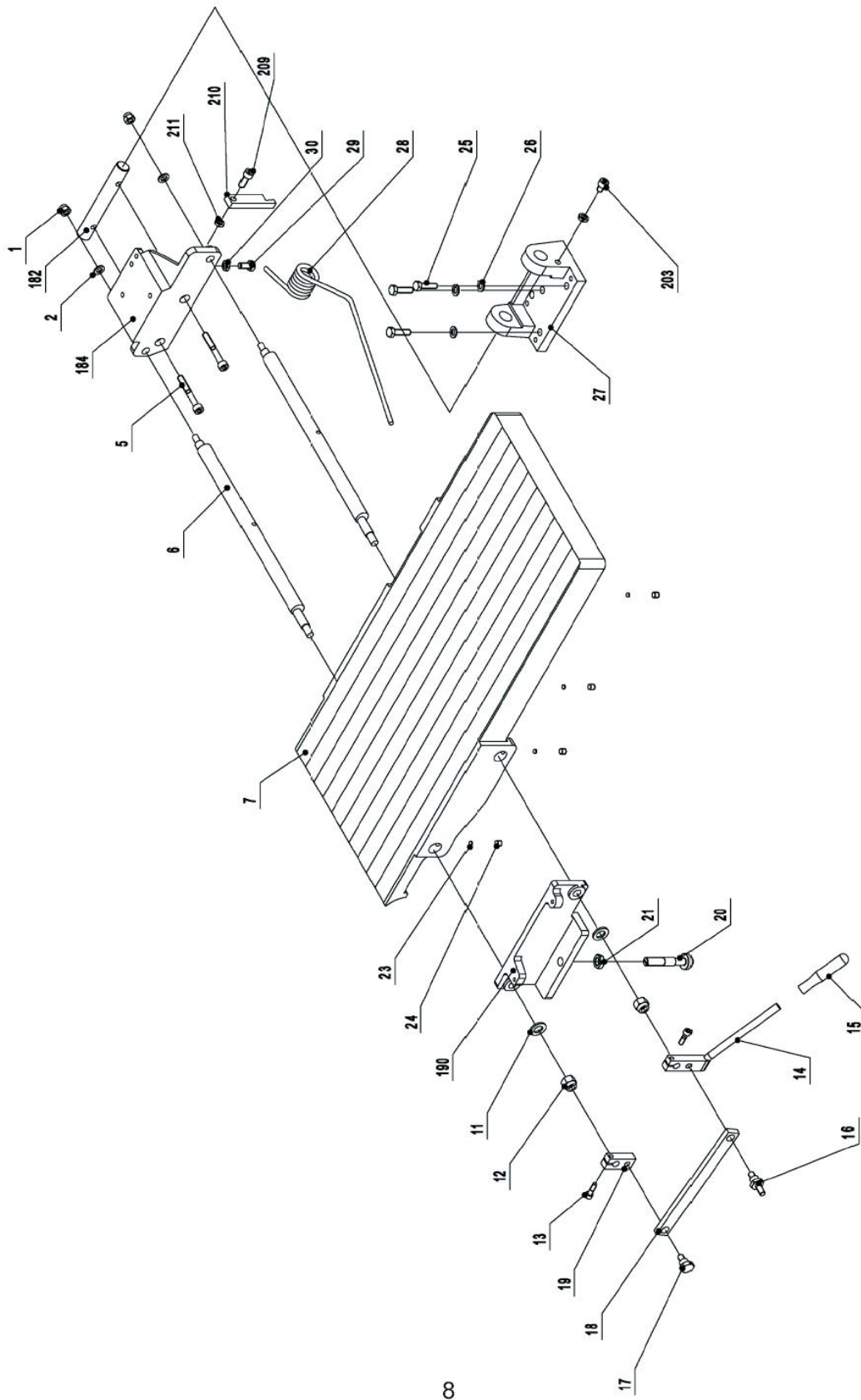
JPT-310HH Base Assembly



JPT-310HH Base Assembly

Index No.	Part No.	Description	Size	Qty
131	JPT310-131	Carriage bolt	M12X65	1
132	JPT310-132	Square washer		1
133	JPT310-133	Tube		1
135	JPT310-135	Bearing	BRG80101	1
136	JPT310-136	Chain wheel		1
	JPT310-136A	Chain tension wheel assembly (131-137, 170, 171)		1
137	JPT310-137	Lock nut	M12	1
138	JPT310-138	Pan head screw	M4X35	2
139	JPT310-139	Lock nut	M6	2
140	JPT310-140	Washer	H6	10
141	JPT310-141	Safety switch		1
142	JPT310-142	Safety switch bracket		1
143	JPT310-143	Lock nut	M4	2
144	JPT310-144	Washer	H6	4
145	JPT310-145	Hex. Nut	M6	2
146	JPT310-146	Safety switch rocker		1
147	JPT310-147	Safety switch rocker shaft		1
148	JPT310-148	Hex. Socket cap screw	M6X25	2
149	JPT310-149	Pan head screw	M4X16	4
150	JPT310-150E	Plug 230/50/1		1
	JPT310-150AE	Plug 400/50/1		1
151	JPT310-151	Special bolt		4
152	JPT310-152	Hex. Nut	M8	4
153	JPT310-153	Lock handle for outfeed table		1
154	JPT310-154	Retaining ring	CLP20	4
155	JPT310-155	Spring		2
156	JPT310-156	Direction label		1
157	JPT310-157E	Switch 230/50(60)/1		1
	JPT310-157AE	Switch 400/50/1		1
158	JPT310-158	Pan head screw	N4X60	2
159	JPT310-159	Pan head screw	M6X16	2
160	JPT310-160	Pan head screw	M6X12	2
161	JPT310-161	Washer	H6	7
162	JPT310-162	Front cover		1
163	JPT310-163	Handle		1
164	JPT310-164	Lock knob		4
165	JPT310-165	Cabinet		1
	JPT310-165CC	Cabinet Cover (not shown)		1
166	JPT310-166	Lock handle for infeed table		1
167	JPT310-167	Infeed scale		1
168	JPT310-168	Thickness scale		1
169	JPT310-169	Washer	H8	2
170	JPT310-170	Retaining ring		1
171	JPT310-171	Washer	H12	1
172	JPT310-172	Hex socket head screw	M8X20	2
173	JPT310-173	Screw	M4X10	4
174	JPT310-174	Cable for safety switch		1
175	JPT310-175	Strain relief		1
176	JPT310-176	E-Stop Button		1

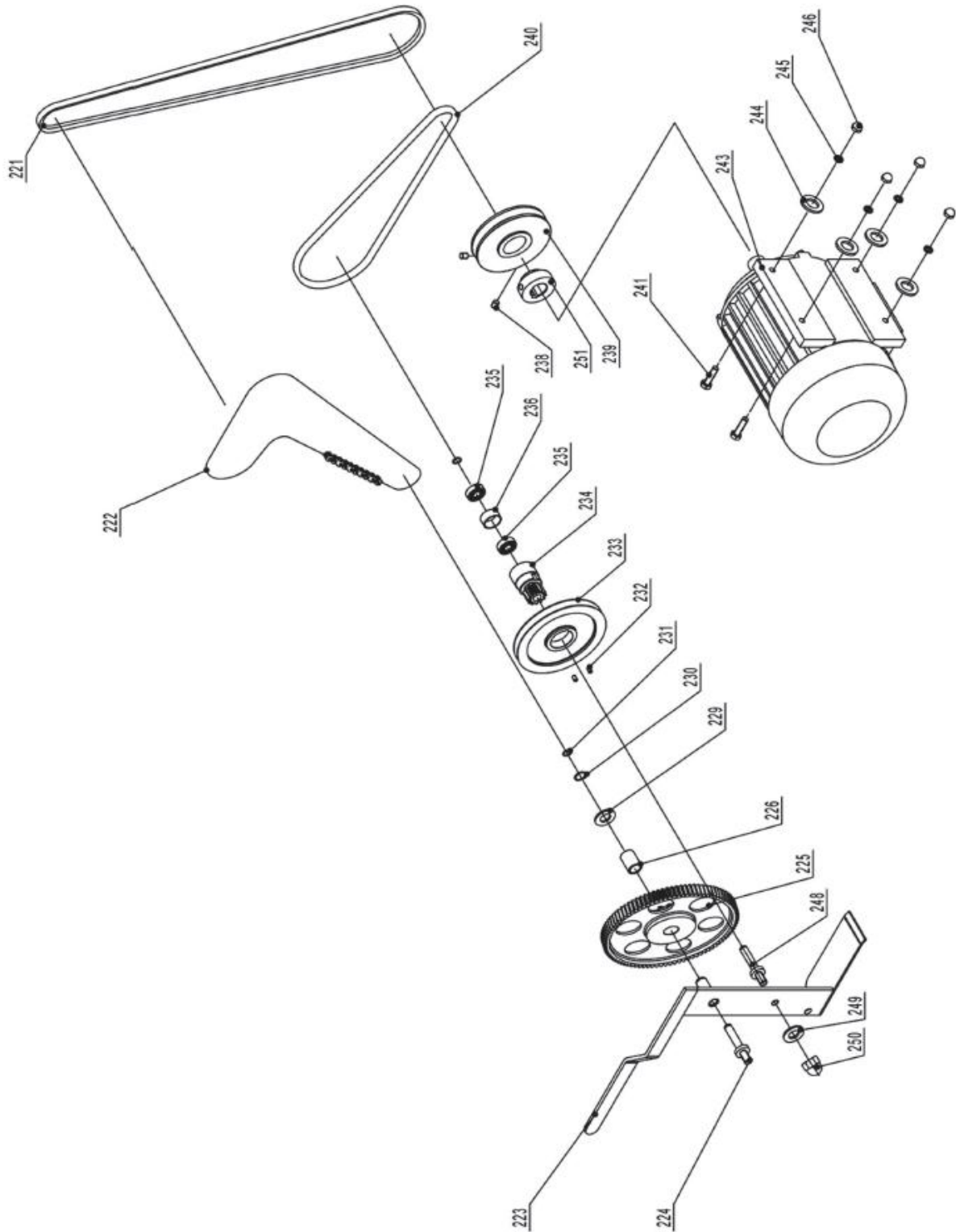
JPT-310HH Infeed Table Assembly



JPT-310HH Infeed Table Assembly

Index No.	Part No.	Description	Size	Qty
184	JPT310-184	Infeed table bracket right	M8X60	2
190	JPT310-190	Infeed table bracket left		1
203	JPT310-203	Hex. Socket cap screw	M8X16	1
209	JPT310-209	Hex. Socket cap screw	M8X40	1
210	JPT310-210	Table stopper		1
211	JPT310-211	Hex. Nut	M8	3

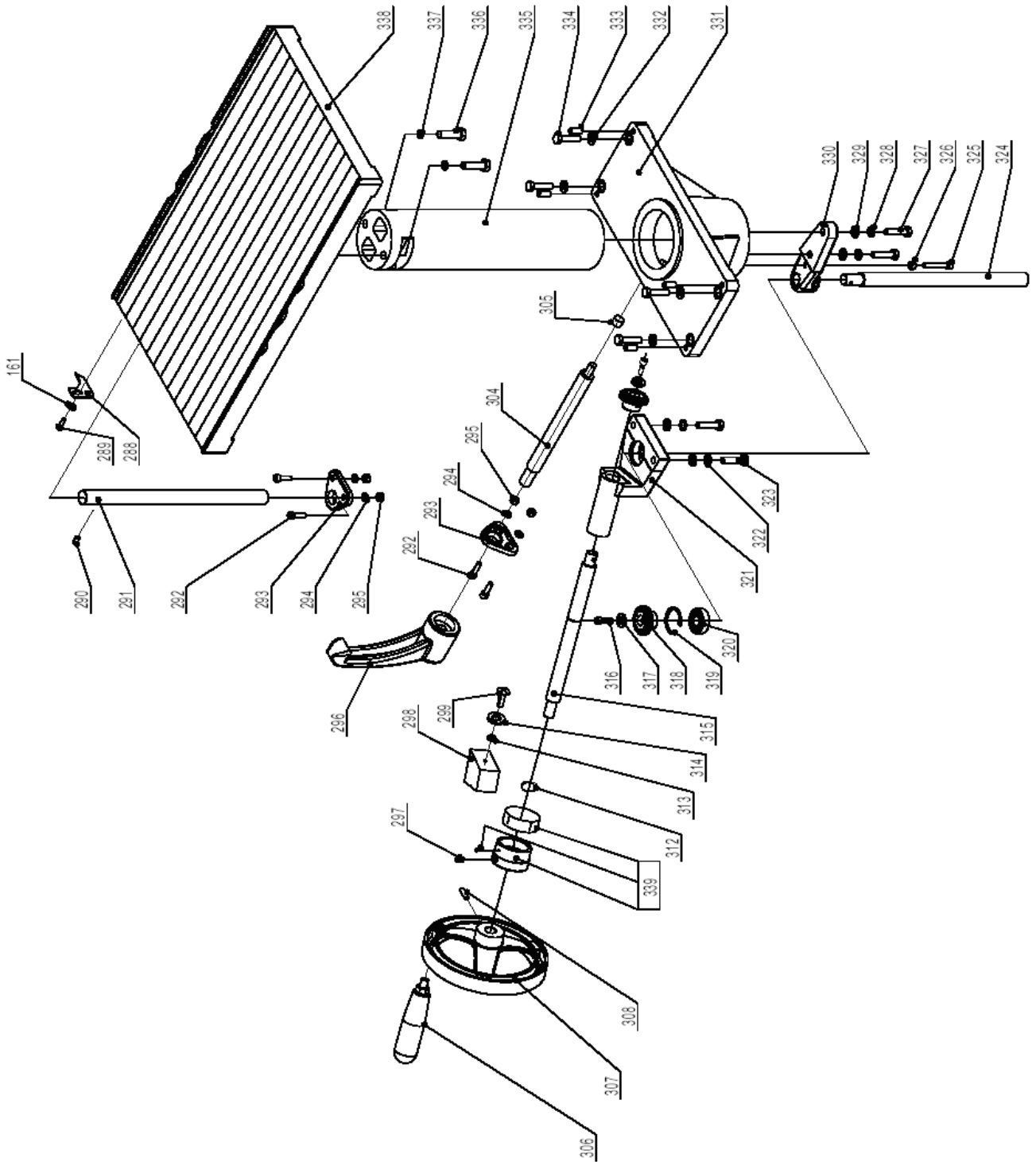
JPT-310HH Drive and Motor Assembly



JPT-310HH Drive and Motor Assembly

Index No.	Part No.	Description	Size	Qty
221	JPT310-221	V-belt for cutterblock 50Hz	A1194	1
	JPT310-221SAE	V-belt for cutterblock 60Hz		1
222	JPT310-222	Drive chain		1
223	JPT310-223	Cam wheel bracket		1
224	JPT310-224	Cam wheel shaft		1
225	JPT310-225A	Plastic Gear wheel assembly		1
226	JPT310-226	Tube (Bushing)		1
229	JPT310-229	Washer		1
230	JPT310-230	Retaining ring	CLP15	1
231	JPT310-231	Retaining ring	CLP10	2
232	JPT310-232	Hex. Socket set screw	M5X10	2
233	JPT260-233	Flat-belt pulley for feed roller		1
234	JPT310-234	Cam wheel		1
235	JPT310-235	Bearing	BRG80100	2
236	JPT310-236	Spacer bearing		1
238	JPT310-238	Hex. Socket set screw	M8X12	2
239	JPT310HH-239	Motor pulley 50Hz		1
	JPT310HH-239SAE	Motor pulley 60Hz		1
240	JPT260-240	Flat belt for feed roller		1
241	JPT310-241	Hex. Bolt	M8X25	4
242	JPT310-242	Washer	H8	4
243	JPT310-010E	Motor 230/50/1		1
	JPT310-010SAE	Motor 230/60/1		1
	JPT310-010AE	Motor 400/50/3		1
244	JPT310-244	Washer	H8	4
245	JPT310-245	Spring washer	H8	4
246	JPT310-246	Cap hex. Nut	M8	4
247	JPT310-247	Capacitor 230/50/1 (not shown)	60 μ F/450VAC	1
247	JPT310-247	Capacitor 230/60/1 (not shown)		1
248	JPT310-248	Shaft		1
249	JPT310-249	Spring washer	H10	1
250	JPT310-250	Hex nut	M10	1
251	JPT260-251	Small motor pulley 50-60Hz		1

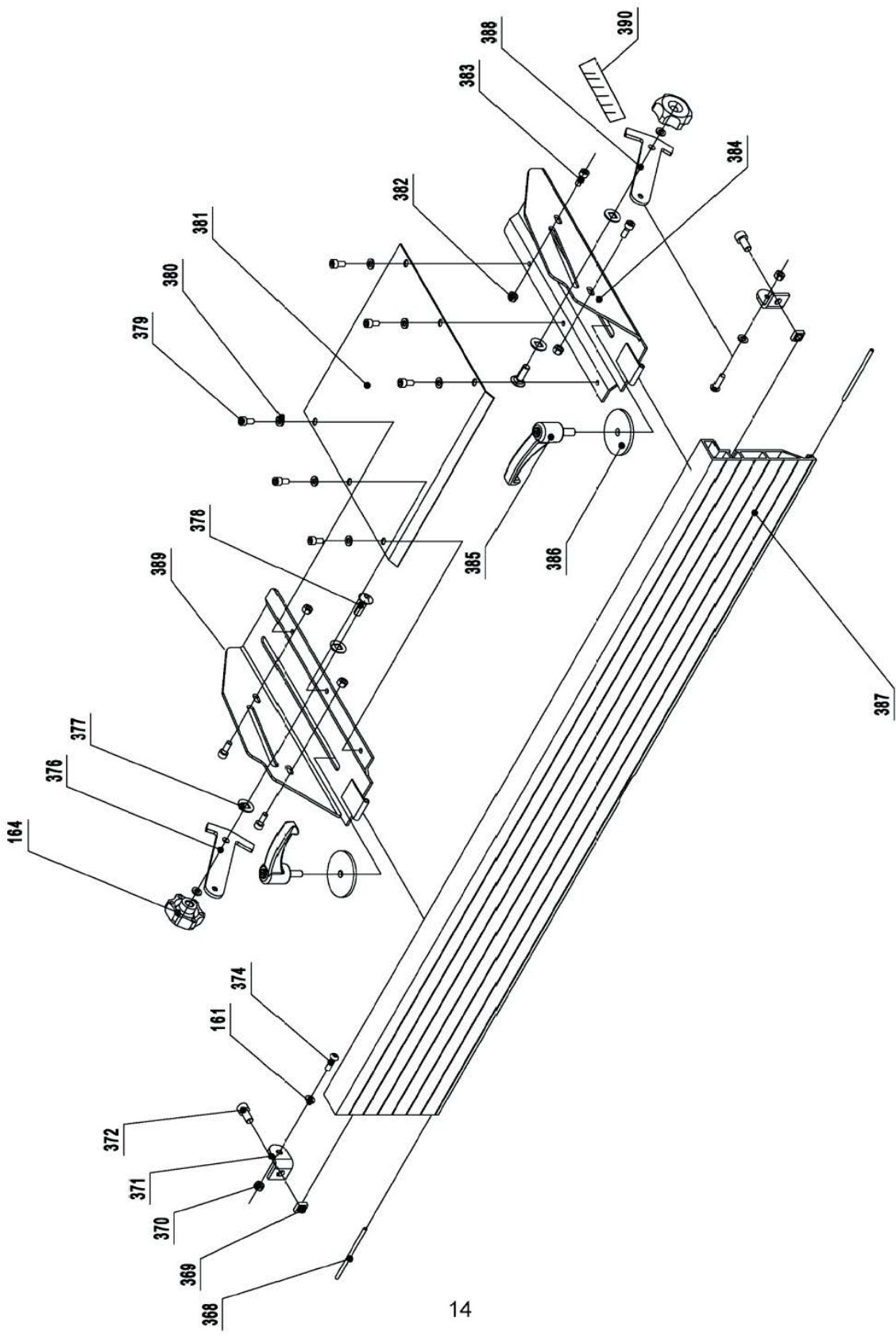
JPT-310HH Thickness Table Assembly



JPT-310HH Thickness Table Assembly

Index No.	Part No.	Description	Size	Qty
288	JPT310-288	Indicator		1
289	JPT310-289	Screw	M6X12	1
290	JPT310-290	Hex. Socket set screw	M8X12	1
291	JPT310-291	Thickness table guide bar		1
292	JPT310-292	Hex. Socket cap screw	M6X20	2
293	JPT310-293	Guide bar bracket		2
294	JPT310-294	Washer	H6	2
295	JPT310-295	Hex. Nut	M6	2
296	JPT310-296	Lock handle		1
297	JPT310-297	Hex socket set screw	M8X12	1
298	JPT310-298	Indicator seat		1
299	JPT310-299	Screw	M6X20	2
304	JPT310-304	Locking bar		1
305	JPT310-305	Locking shoe		1
306	JPT310-306	Crank handle		1
307	JPT260-307	Crank handwheel		1
308	JPT260-308	Hex. Socket cap screw	M8X10	1
312	JPT310-312	Retaining ring	CLP20	1
313	JPT310-313	Retaining ring	CLP35	1
314	JPT310-314	Washer		1
315	JPT310-315	Crank bar		1
316	JPT310-316	Pan head screw	M6X12	2
317	JPT310-317	Washer	M6	2
318	JPT310-318	Bevel gear		1
319	JPT310-319	Retaining ring	CLP35	1
320	JPT310-320	Bearing	BRG80202	1
321	JPT310-321	Bevel gear bracket		1
322	JPT310-322	Washer	H8	8
323	JPT310-323	Hex. bolt	M8X35	8
324	JPT310-324	Thread rod		1
325	JPT310-325	Hex. bolt	M6X40	1
326	JPT310-326	Hex. nut	M6	1
327	JPT310-327	Hex. bolt	M8X35	2
329	JPT310-329	Washer	H8	2
330	JPT310-330	Thread rod bracket		1
331	JPT310-331	Column support		1
333	JPT310-333	Hex. Socket set screw	M8X20	5
335	JPT310-335	Column		1
336	JPT310-336	Hex. bolt	M10X35	2
337	JPT310-337	Spring washer	H10	2
338	JPT310-338	Thickness table		1
339	JPT310-339	Scale ring assembly		1

JPT-310HH Working Fence Assembly



JPT-310HH Working Fence Assembly

Index No.	Part No.	Description	Size	Qty
368	JPT310-368	Pin for hinge		1
369	JPT310-369	Square nut	M8	2
370	JPT310-370	Lock nut	M6	6
371	JPT310-371	Fence mounting bracket		2
372	JPT310-372	Hex. bolt	M8X16	2
374	JPT310-374	Hex. Socket cap screw	M6X16	2
376	JPT310-376	Fence support-right		1
377	JPT310-377	Nylon washer		10
378	JPT310-378	Carriage bolt	M8X25	2
379	JPT310-379	Pan head sscrew	M6X12	6
380	JPT310-380	Washer	H6	6
381	JPT310-381	Cutterblock cover		1
382	JPT310-382	Lock nut	M6	4
383	JPT310-383	Hex. Socket cap screw	M6X12	4
384	JPT310-384	Fence bracket-left		1
385	JPT310-385	Lock handle		2
386	JPT310-386	Special washer		2
387	JPT310-387	Fence		1
388	JPT310-388	Fence support-left		1
389	JPT310-389	Fence bracket-right		1
390	JPT310-390	Fence scale	M	1
391	JPT310-391	Complete fence assembly (368-390)		1

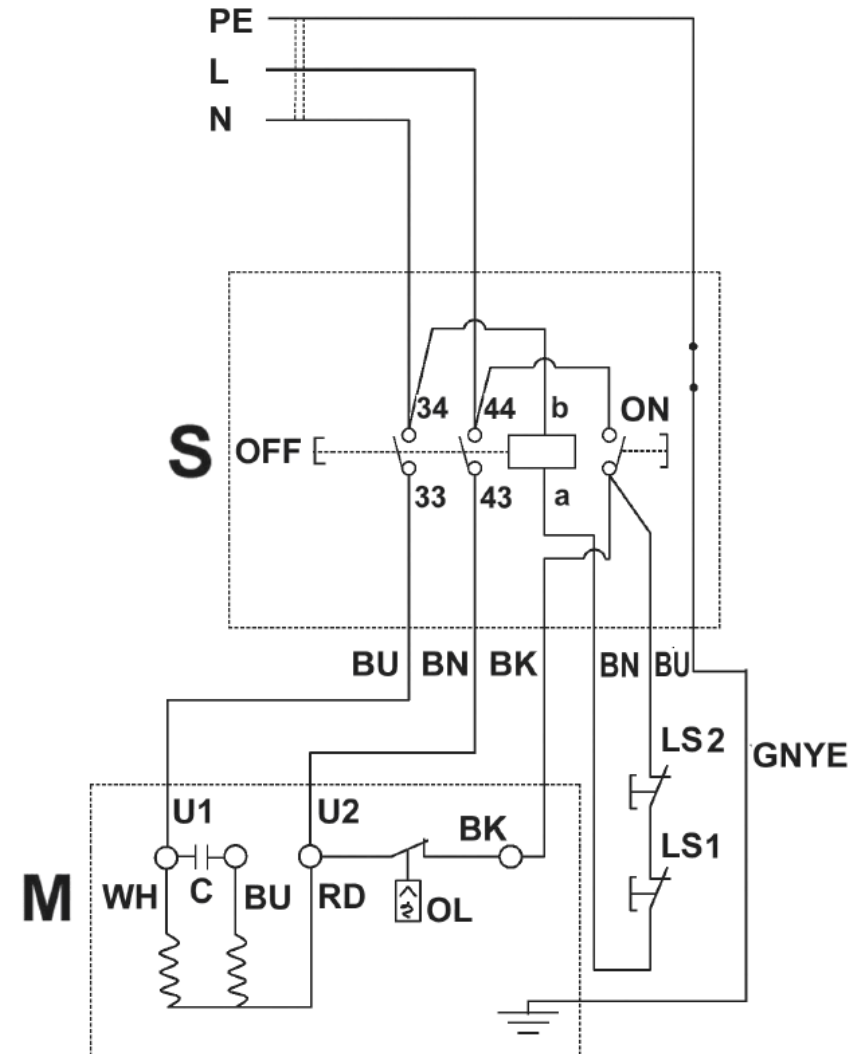
JPT-310HH-M

10000292M

	colour of strands	Litzenfarben	couleur des cordons
BK	black	schwarz	noir
WH	white	weiß	blanc
BU	blue	blau	bleu
YE	yellow	gelb	jaune
RD	red	rot	rouge
BN	brown	braun	brun
GY	grey	grau	gris
GNYE	green-yellow	grün-gelb	vert-jaune
OG	orange	orange	orange
VT	violet	violett	violet

	meaning of symbol	Bedeutung der Zeichen	interprétation
M	motor	Motor	moteur
S	switch	Schalter	interrupteur
C	condenser	Kondensator	condensateur
F	fuse	Sicherung	fusible
RS	reversing switch	Drehrichtungsschalter	commu. droite/gauche
CS	centrifugal switch	Fliehkraftschalter	déclencheur centrifuge
OL	overload cut-off	Überlastschuttschalter	déclencheur surcharge
LS1	limit switch	Positionsendschalter	micro
LS2	E-stop	Not-Aus Taster	arret d'urgence

230/50/1



JPT-310HH-T

10000292T

	colour of strands	Litzenfarben	couleur des cordons
BK	black	schwarz	noir
WH	white	weiß	blanc
BU	blue	blau	bleu
YE	yellow	gelb	jaune
RD	red	rot	rouge
BN	brown	braun	brun
GY	grey	grau	gris
GNYE	green-yellow	grün-gelb	vert-jaune
OG	orange	orange	orange
VT	violet	violett	violet

	meaning of symbol	Bedeutung der Zeichen	interprétation
M	motor	Motor	moteur
S	switch	Schalter	interrupteur
C	condenser	Kondensator	condensateur
F	fuse	Sicherung	fusible
RS	reversing switch	Drehrichtungsschalter	commu. droite/gauche
CS	centrifugal switch	Fliehkraftschalter	déclencheur centrifuge
OL	overload cut-off	Überlastschuttschalter	déclencheur surcharge
LS1	Limit switch	Positionsendschalter	micro
LS2	E-stop	Not-Aus Taster	arret d'urgence

400/50/3

